

Preparation of compressed air → Supplementary products

3/2-way valve, electrically operated, Series AS5-SOV

► 3/4 NPTF - 1 NPTF ► pipe connection ► ATEX optional



00119378

Version	Poppet valve, Can be assembled into blocks
Working pressure min./max.	2.5 bar / 10 bar
Medium	Compressed air
Medium temperature min./max.	-10 °C / +50 °C
Ambient temperature min./max.	-10 °C / +50 °C
Sealing principle	soft sealing
Max. particle size	5 µm
Degree of protection,with Plug	See table below

Materials:	
Housing	Polyamide
Front plate	Acrylonitrile butadiene styrene
Seals	Acrylonitrile Butadiene Rubber
Threaded bushing	Die cast zinc

Technical Remarks

- The pressure dew point must be at least 15 °C under ambient and medium temperature and may not exceed 3 °C.
- ATEX optional: The ATEX ID depends on the selected pilot valve.
- These pneumatic components with NPTF or inch thread dimensions are only available from our US sales organization

Operating voltage			Power consumption	Switch-on power		Holding power	
DC	AC 50 Hz	AC 60 Hz	DC	AC 50 Hz	AC 60 Hz	AC 50 Hz	AC 60 Hz
			W	VA	VA	VA	VA
24 V	-	-	2	-	-	-	-
-	110 V	110 V	-	2.2	1.6	1.6	1.4
-	220 V	230 V	-	2.2	1.6	1.6	1.4
-	-	-	-	2.2	1.6	1.6	1.4

	Port	Ex-haust	Operating voltage			Qn		Weight	Fig.	Note	Part No.
			DC	AC 50 Hz	AC 60 Hz	1►2	2►3				
						[l/min]					
	3/4 NPTF	3/8 NPTF	24 V	-	-	12500	3700	0.677	Fig. 3	1); 3); 4)	R432002885
	3/4 NPTF		-	110 V	110 V						R432002886
	3/4 NPTF		-	220 V	230 V						R432002887
	1 NPTF		24 V	-	-						R432002891
	1 NPTF		-	110 V	110 V						R432002892
	1 NPTF		-	220 V	230 V						R432002893
	3/4 NPTF	3/8 NPTF	-	-	-	12500	3700	0.641	Fig. 1	2); 5)	R432002890
	1 NPTF		-	-	-						R432002896

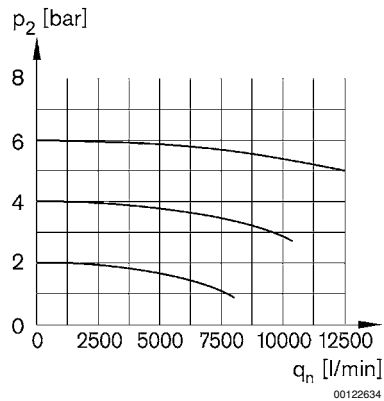
- 1) Basic valve with pilot valve
 - 2) Basic valve without pilot valve
 - 3) Protection class: IP 65
 - 4) Electr. connection: Plug; ISO 15217, form C
 - 5) ATEX optional
- Nominal flow Qn at p1 = 6.3 bar and Δp = 1 bar

Preparation of compressed air → Supplementary products

3/2-way valve, electrically operated, Series AS5-SOV

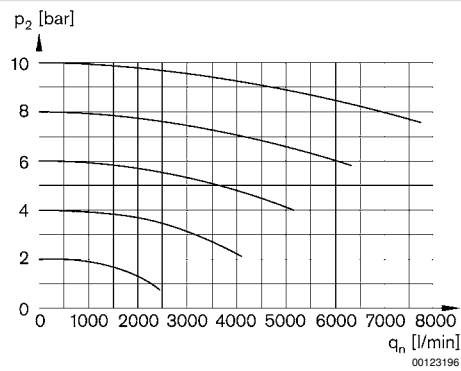
► 3/4 NPTF - 1 NPTF ► pipe connection ► ATEX optional

Flow rate characteristic, 1 → 2



p2 = secondary pressure
qn = nominal flow

Rear exhaust, 2 → 3



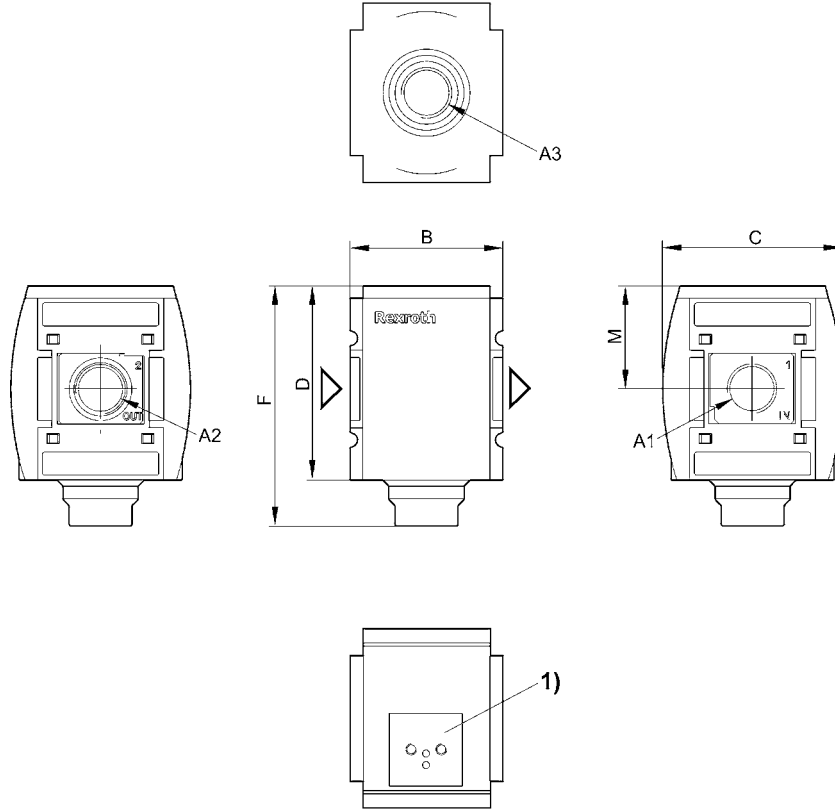
p2 = secondary pressure
qn = nominal flow

Preparation of compressed air → Supplementary products

3/2-way valve, electrically operated, Series AS5-SOV

▶ 3/4 NPTF - 1 NPTF ▶ pipe connection ▶ ATEX optional

Dimensions in inches, Fig. 1: 3/2-way valve without pilot valve with porting configuration for series DO16



00133976

- A1 = input
- A2 = output
- A3 = ventilation port
- 1) Porting configuration for pilot valve DO16

Dimensions in inches

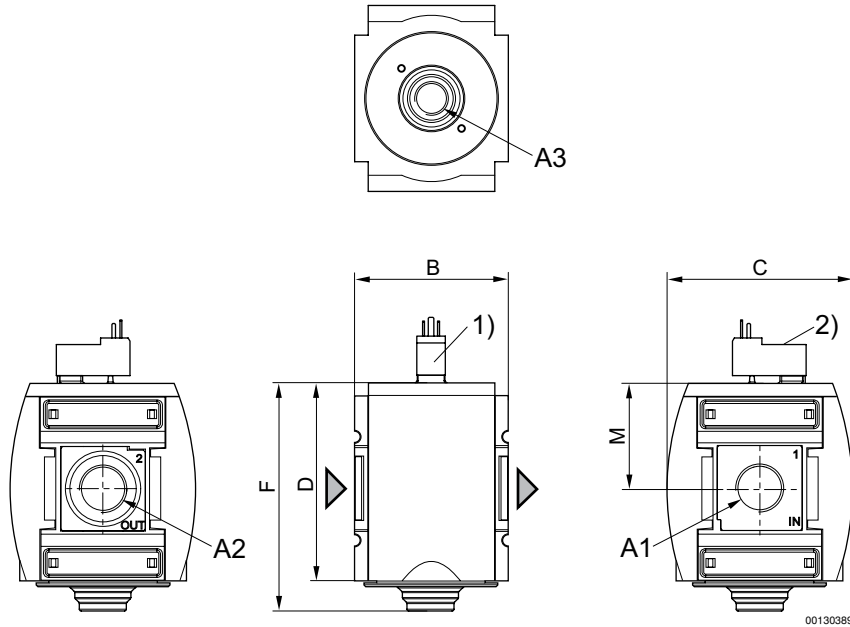
A1	A2	A3	B	C	D	F	M						
3/4 NPTF	3/4 NPT	3/8 NPT	2.48	2.91	3.15	3.9	1.67						
1 NPTF	1 NPT	3/8 NPT	2.48	2.91	3.15	3.9	1.67						

Preparation of compressed air → Supplementary products

3/2-way valve, electrically operated, Series AS5-SOV

▶ 3/4 NPTF - 1 NPTF ▶ pipe connection ▶ ATEX optional

Dimensions in inches, Fig. 3: 3/2-way valve with pilot valve and port for electrical connector



A1 = input
 A2 = output
 A3 = ventilation port

1) For electrical connector according to ISO 15217 (form C)
 2) Manual override

Dimensions in inches

A1	A2	A3	B	C	D	F	M						
3/4 NPTF	3/4 NPT	3/8 NPT	3.35	4.06	4.29	4.92	2.28						
1 NPTF	1 NPT	3/8 NPT	3.35	4.06	4.29	4.92	2.28						