

Compressed air maintenance unit, series AS3-Inch

3/2 directional-control dump valve AS3-SOV, electrically operated,
3/8 NPT - 1/2 NPT

Rexroth
Bosch Group



Technical Data

Type	Poppet valve
Working pressure	36 - 145 psi
Nominal flow qn	see table
Secondary pressure	91 psi and $\Delta p = 15$ psi
Ambient temperature	-10 °C to +50 °C (14 °F to +122 °F) *
Medium	Compressed air
Weight	see table
Pickup power with AC 50 Hz	2.2 VA
Holding power with AC 50 Hz	1.6 VA
Power consumption with DC	2 W
Relative switch-on duration	100 %
Protection class (DIN 40 050) with electrical connector	IP 65 (NEMA4)
Installation position:	any
Materials (body)	Polyamide, seals Buna-N(NBR)
Thread bushing	Die-cast zinc
Cover	ABS



* with dried air

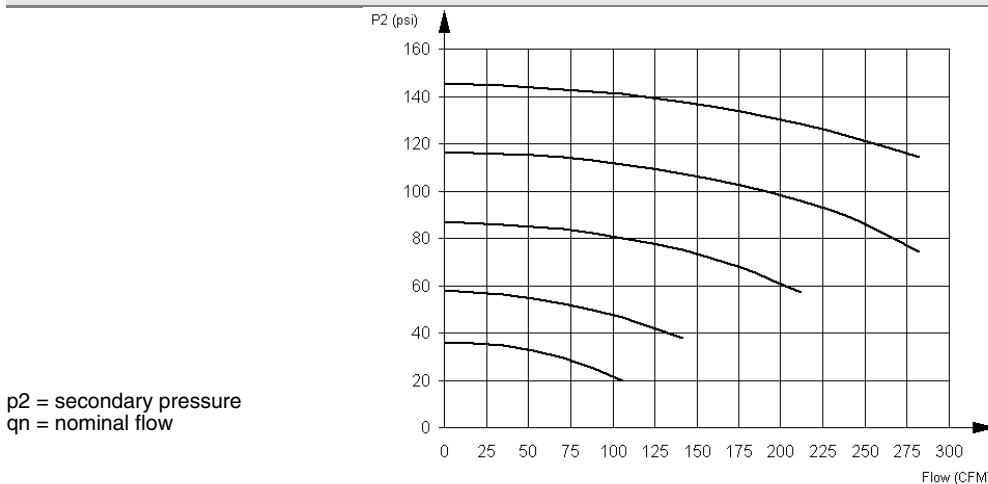
Version:

Cut-off and sequencing valve with unrestricted cross-section.
Two switch positions: a) Basic position: input closed, output ventilated; b) Operated: input and output connected, exhaust closed.
Connection via electrical connector shape C, DIN 43 650 (see Online catalog, series CN1).
Please observe note regarding compressed air preparation!

	Thread connection NPT	Operational voltage	Qn CFM	Operating pressure [psi]	Weight [lbs]	Notes	Part No. (Air flow direction)	
							Standard	(right to left)
	3/8"	-	-	-	-	1	R432002179	R432031480
	3/8"	-	-	-	-	2	R432002173	R432031479
	3/8"	24VDC $\pm 10\%$	159	36 ... 145	1.01	-	R432002180	R432031475
	3/8"	110VAC 50/60Hz	-	-	-	-	R432002181	R432031476
	3/8"	230VAC 50/60Hz	-	-	-	-	R432002182	R432031477
	1/2"	-	-	-	-	1	R432002183	R432031474
	1/2"	-	-	-	-	2	R432002174	R432031473
	1/2"	24VDC $\pm 10\%$	159	36 ... 145	1.01	-	R432002184	R432031469
	1/2"	110VAC 50/60Hz	-	-	-	-	R432002185	R432031470
	1/2"	230VAC 50/60Hz	-	-	-	-	R432002186	R432031471

- 1) without DO16 pilot valve
- 2) with CNOMO interface, without pilot valve

Flow rate characteristic



p2 = secondary pressure
qn = nominal flow

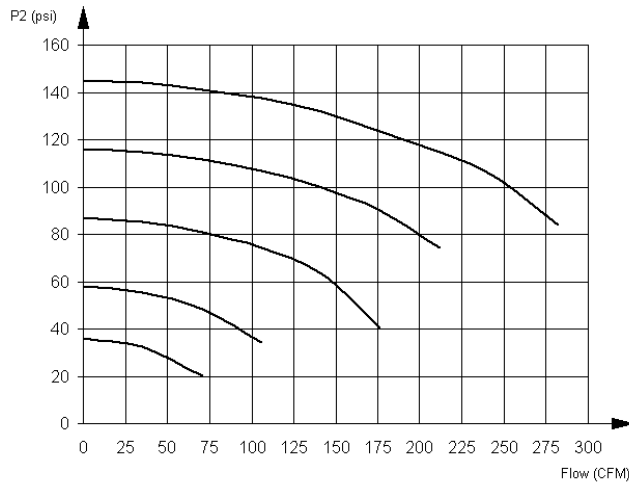
Compressed air maintenance unit, series AS3-Inch

3/2 directional-control dump valve AS3-SOV, electrically operated,
3/8 NPT - 1/2 NPT

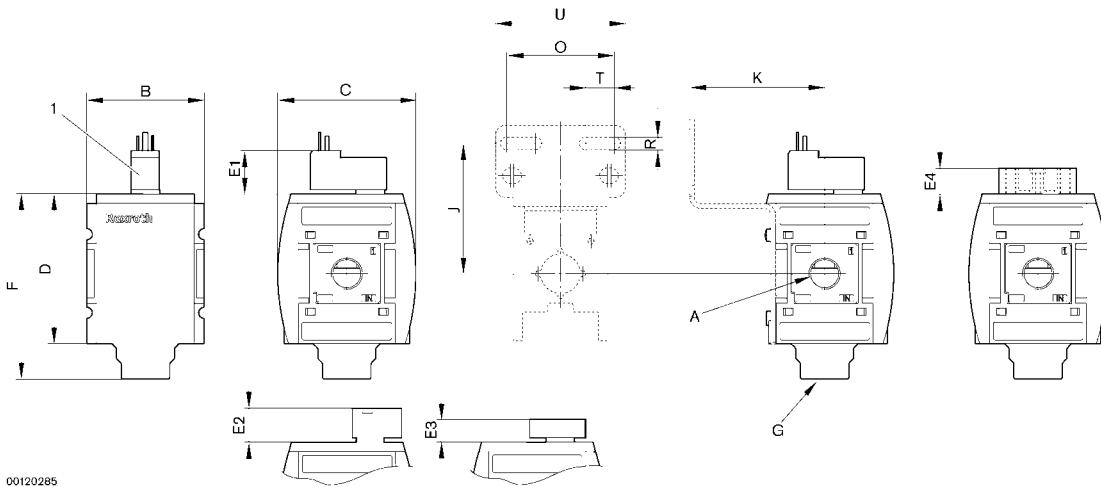


Rear exhaust

p2 = secondary pressure
qn = nominal flow



Drawing



00120285

00120285_a

(mounting bracket not included, order separately)

A	G	B	C	D	E1	E2	E3	E4	F	J	K	O	R	T	U
3/8" NPT	3/8" NPT	2.480	2.913	3.150	0.913	0.728	0.484	0.394	3.898	2.854	2.598	2.362	0.276	0.630	2.835
1/2" NPT	3/8" NPT	2.480	2.913	3.150	0.913	0.728	0.484	0.394	3.898	2.854	2.598	2.362	0.276	0.630	2.835

Dimensions in inches

Pneutrol International Limited
UK Office
5 Causide Drive, Antrim, BT41 2DU
United Kingdom
TEL: +44 (0) 289448 1808
www.valves-direct.com

sales@pneutrol.com
European Office
Unit 6, Saint Anthony's Business Park, Ballymount Road, D22 VW95
Ireland
TEL: +353 (0) 1 4373653
www.valves-direct.com