

Compressed air maintenance unit, series AS2-Inch

3/2-way shut-off valve (ball valve) AS2-BAV, mechanically operated, lockable option, 1/4 NPT - 3/8 NPT, ATEX approved



Technical Data

Type	3/2 directional-control valve, operated by a knob, 3-fold lockable See table	
Nominal flow q _n	See table	
Secondary pressure = 91 psi and Δp = 15 psi		
Ambient temperature	-10 °C to +50 °C (14 °F to +122 °F) *	
Medium	Compressed air	
Weight	See table	
Installation position	any	

Materials	Body	Polyamide, seals Buna-N(NBR)
	Thread bushing	Die-cast zinc
	Cover	ABS
	Lockable slide plate	Zinc plated steel

ATEX:	In zone 1 (gas-ex, category 2G)
	In zone 21 (dust-ex, category 2D)
	In zone 2 (gas-ex, category 3G)
	In zone 22 (dust-ex, category 3D)



* with dried air

Knob, can be turned 90° (Open-Closed) and can be locked in the closed position with a padlock
Knob with switch position display: crosswise: inlet closed, outlet to exhaust; lengthways: inlet and outlet connected, air exhaust closed

Exhaust air can be collected (1/4" NPT)

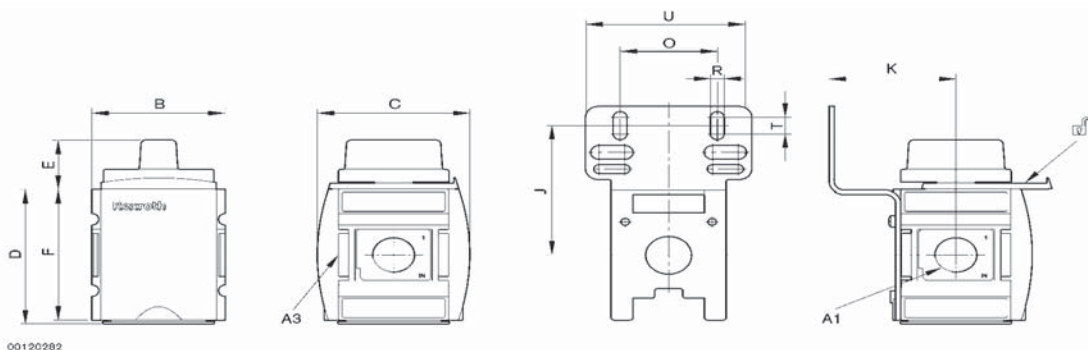
Air exhaust from connection A to R: nominal size 1.5mm

Part no.

Symbol	Threaded ports	Nominal flow q _n [CFM]	Weight [lbs]	Part no.
	1/4 NPT	106	0.45	R432002358 (lockable)
	3/8 NPT	106	0.45	R432002359 (lockable)

Accessories (to be ordered separately)

Accessories		Part no.
	Pneumatic silencer (short)	R432031044
	Mounting plate AS2-MBR-...-W01	R432031071
	Block assembly kit AS2-MBR-...-W04	R412006371
	Mounting strap AS2-MBR-...-W03	R412006370



(mounting bracket not included, order separately)

A1	A3	B	C	D	E	F	J	K	O	R	T	U
1/4 NPTF	1/4 NPT	2.047	2.323	2.512	0.925	2.441	2.433	1.945	1.496	0.213	0.394	2.559
3/8 NPTF	1/4 NPT	2.047	2.323	2.512	0.925	2.441	2.433	1.945	1.496	0.213	0.394	2.559

Dimensions in inches

Pneutrol International Limited
UK Office
5 Caulside Drive, Antrim, BT41 2DU
United Kingdom
TEL: +44 (0) 289448 1808
www.valves-direct.com

sales@pneutrol.com
European Office
Unit 6, Saint Anthony's Business Park, Ballymount Road, D22 VW95
Ireland
TEL: +353 (0) 1 4373653
www.valves-direct.com
32

Compressed air maintenance unit, series AS2-Inch

Filling valve (soft start) AS2-SSV, 1/4 NPT - 3/8 NPT, ATEX approved

AVENTICS®



Technical Data

Type	Poppet valve
Operating pressure	36 ... 232 psi
Nominal flow q_n	see table
Secondary pressure	91 psi and $\Delta p = 15$ psi
Ambient temperature	-10 °C to +50 °C (14 °F to +122 °F) *
Medium	Compressed air
Weight	see table
Installation position	any

Materials (body)	Polyamide, seals Buna-N(NBR)
Threaded bushing	Die-cast zinc

Cover	ABS
-------	-----

ATEX:	In zone 1 (gas-ex, category 2G) In zone 21 (dust-ex, category 2D) In zone 2 (gas-ex, category 3G) In zone 22 (dust-ex, category 3D)
-------	--

* with dried air

Version:

Opening pressure: approx. 50% of input pressure

Actuating method: via secondary pressure

Only for closed systems

Please observe note regarding compressed air preparation!

Additional technical data: see 3/2 directional-control valve AS 2 and filling valve AS 2

Slowly builds up the pressure in pneumatic installations, i.e. prevents sudden pressure build-up after a restart following mains pressure failure or EMERGENCY OFF, thus preventing dangerous, sudden cylinder movements.



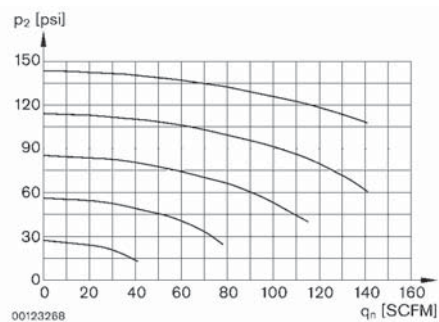
Part no.

Symbol	Threaded ports	Nominal flow q_n [CFM]	With options	Weight [lbs]	Part no.
	1/4 NPT	81	Filling adjustable	0.45	R432000676
	3/8 NPT	81	Filling adjustable	0.45	R432000677

Accessories (to be ordered separately)

	Accessory	Part no.
	Mounting plate AS2-MBR-...-W01	R432031071
	Mounting strap AS2-MBR-...-W03	R412006370
	Block assembly kit AS2-MBR-...-W04	R412006371

Flow rate characteristic



p_2 = secondary pressure
 q_n = nominal flow

Pneutrol International Limited
UK Office
5 Caulside Drive, Antrim, BT41 2DU
United Kingdom
TEL: +44 (0) 289448 1808
www.valves-direct.com

sales@pneutrol.com
European Office
Unit 6, Saint Anthony's Business Park, Ballymount Road, D22 VW95
Ireland
TEL: +353 (0) 1 4373653
www.valves-direct.com