

### FEATURES

- Compact three way solenoid valves with orifices and pipe connections in valve body, provide in-line piping
- Valves do not require a minimum operating pressure
- The solenoid valves satisfy all relevant EC Directives

### GENERAL

Differential pressure	0 to 14 bar [1 bar = 100 kPa]
Maximum viscosity	65cSt (mm <sup>2</sup> /s)
Response times	5 - 25 ms

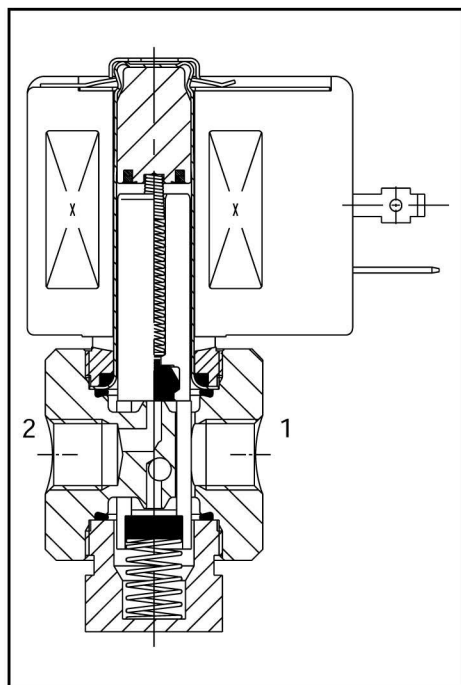
fluids (*)	temperature range (TS)	seal materials (*)
air, inert gas, water, oil	-20 to +90°C	NBR (nitrile)



### MATERIALS IN CONTACT WITH FLUID

(\*) Ensure that the compatibility of the fluids in contact with the materials is verified

	Brass body	Stainless steel body
Body	Brass	AISI 303 SS
Core tube	Stainless steel	Stainless steel
Core and plugnut	Stainless steel	Stainless steel
Springs	Stainless steel	Stainless steel
Seats	Brass	Stainless steel
Seal & discs	NBR	NBR
Disc holder & core guide	POM	POM
Shading coil	Copper	Silver



### ELECTRICAL CHARACTERISTICS

Coil insulation class	F
Connector	Spade plug (cable Ø 6-10 mm)
Connector specification	ISO 4400 / EN 175301-803, form A
Electrical safety	IEC 335
Standard voltages	DC (-): 24V
(Other voltages and 60 Hz on request)	AC (~): 24V - 115V - 230V / 50 Hz

coil type	power ratings				ambient temperature ranges (TS)	protection
	inrush ~ (VA)	holding		hot/cold = (W)		
		(VA)	(W)		(W)	
CM6-FT	34	15,6	6,0	7 / 9,7	-20 to +75	moulded IP65
CM6-FB	30	22,5	9,0	-	-20 to +50	moulded IP65

### SPECIFICATIONS

pipe size	orifice size	flow coefficient Kv		operating pressure differential (bar)								coil type		catalogue number		OPTIONAL						
				min.	maximum (PS)						~					=	brass body	stainless steel body	FPM	EPDM	CR	(1) PTFE
					air (*)	water (*)	oil (*)	~	=	~												
NPT	(mm)	(m <sup>3</sup> /h)	(l/min)																			
<b>U - Universal, NBR seals</b>																						
1/8	1,6	0,08	1,3	0	7	4,5	7	4,5	7	4,5	7	4,5	CM6-FB	CM6-FT	SCB320B001	SCB320A041	V	E	J	T		
	2,4	0,10	1,7	0	3,5	3,5	3,5	3,5	3,5	3,5	3,5	3,5	CM6-FT	CM6-FT	SCB320B083	SCB320A087	V	E	J	T		
	3,2	0,18	3,0	0	2	1,5	2	1,5	2	1,5	2	1,5	CM6-FB	CM6-FT	SCB320B003	SCB320A043	V	E	J	T		
<b>NC - Normally closed, NBR seals</b>																						
1/8	1,2	0,05	0,5	0	14	14	14	14	14	14	14	14	CM6-FT	CM6-FT	SCB320B132	SCB320A142	V	E	J	T		
	1,6	0,08	1,3	0	9	9	9	9	9	9	9	9	CM6-FT	CM6-FT	SCB320B013	SCB320A045	V	E	J	T		
	2,4	0,10	1,7	0	7	7	7	7	7	7	7	7	CM6-FT	CM6-FT	SCB320B015	SCB320A047	V	E	J	T		
	3,2	0,18	3,0	0	3	3	3	3	3	3	3	3	CM6-FT	CM6-FT	SCB320B017	SCB320A049	V	E	J	T		
<b>NO - Normally open, NBR seals</b>																						
1/8	1,2	0,05	0,5	0	14	14	14	14	14	14	14	14	CM6-FT	CM6-FT	SCB320B136	SCB320A146	V	E	J	T		
	1,6	0,08	1,3	0	9	9	9	9	9	9	9	9	CM6-FT	CM6-FT	SCB320B027	SCB320A051	V	E	J	T		
	2,4	0,10	1,7	0	7	7	7	7	7	7	7	7	CM6-FT	CM6-FT	SCB320B029	SCB320A053	V	E	J	T		
	3,2	0,18	3,0	0	3	3	3	3	3	3	3	3	CM6-FT	CM6-FT	SCB320B031	SCB320A055	V	E	J	T		

(1) Stainless steel body only

### OPTIONS

- Valves can also be supplied with FPM (fluorelastomer), EPDM (ethylene-propylene), CR (chloroprene) and on stainless steel body version PTFE only, seals and discs. Use the appropriate optional suffix letter for identification
- Waterproof enclosure with embedded screw terminal and Pg 13,5 cable gland to meet CEE-10 (IP67)
- Explosionproof enclosures for hazardous locations according to "ATEX/CENELEC" and national standards
- Explosionproof and watertight enclosures according to "NEMA" standards
- Mounting brackets for brass body solenoid valves
- Compliance with "UL" and "CSA" standards
- Manual operator
- Plug with visual indication and with peak voltage suppression and with cable length of 2m

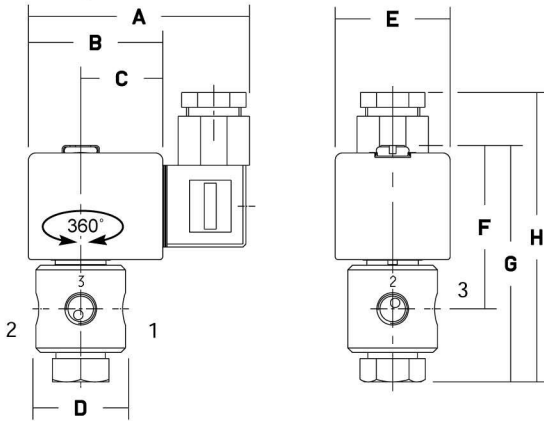
### INSTALLATION

- The valves can be mounted in any position without affecting operation
- Mounting brackets are standard supplied with stainless steel body solenoid valves
- Pipe connection identifier is: B = NPT (ANSI 1.20.3)
- The third digit in the catalogue number indicates the standard pipe connection
- Other pipe connections are available on request
- Installation/maintenance instructions are included with each valve
- Spare Parts Kit and replacement coils are available

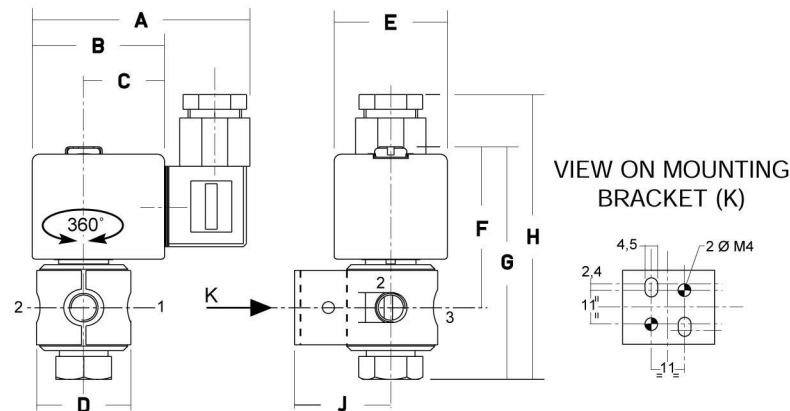
### DIMENSIONS (mm), WEIGHT (kg)



#### Brass body solenoid valves



#### Stainless steel body solenoid valves



catalogue number	A	B	C	D	E	F	G	H	J	weight (1)
brass body	75	45	27	30	39	56	79	95	-	0,4
stainless steel body	75	45	27	30	39	56	79	95	40	0,4

(1) Incl. coil and connector