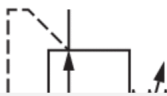


Precision pressure regulator, Series AS2-RGP-...-DS

- G 1/4
- Qn = 2200 l/min
- Precision pressure regulator
- Activation Mechanical
- with continuous pressure supply
- lockable
- suitable for ATEX



Parts	Precision pressure regulator with continuous pressure supply
Mounting orientation	Any
Certificates	suitable for ATEX
Working pressure min./max.	See table
Ambient temperature min./max.	-10 ... 50 °C
Medium temperature min./max.	-10 ... 50 °C
Medium	Compressed air Neutral gases
Regulator type	Diaphragm-type pressure regulator Can be assembled into blocks
Regulator function	with relieving air exhaust
Adjustment range min./max.	See table
Pressure supply	double
Activation	Mechanical
Weight	0,248 kg



Technical data

Part No.	Port	Flow	Working pressure min./max.	Adjustment range min./max.
		Qn		
R412006160	G 1/4	2200 l/min	0,1 ... 16 bar	0,1 ... 1 bar
R412006161	G 1/4	2200 l/min	0,1 ... 16 bar	0,1 ... 2 bar
R412006162	G 1/4	2200 l/min	0,2 ... 16 bar	0,2 ... 4 bar
R412006163	G 1/4	2200 l/min	0,5 ... 16 bar	0,5 ... 8 bar
R412006164	G 1/4	2200 l/min	0,5 ... 16 bar	0,5 ... 10 bar
R412006166	G 3/8	2700 l/min	0,1 ... 16 bar	0,1 ... 1 bar
R412006167	G 3/8	2700 l/min	0,1 ... 16 bar	0,1 ... 2 bar
R412006168	G 3/8	2700 l/min	0,2 ... 16 bar	0,2 ... 4 bar
R412006169	G 3/8	2700 l/min	0,5 ... 16 bar	0,5 ... 8 bar
R412006170	G 3/8	2700 l/min	0,5 ... 16 bar	0,5 ... 10 bar

Part No.	Max. pressure gauge Ø in blocked state
R412006160	50 mm
R412006161	50 mm
R412006162	50 mm
R412006163	50 mm
R412006164	50 mm
R412006166	50 mm

Part No.	Max. pressure gauge Ø in blocked state
R412006167	50 mm
R412006168	50 mm
R412006169	50 mm
R412006170	50 mm

Technical information

The pressure dew point must be at least 15 °C under ambient and medium temperature and may not exceed 3 °C .

Recommended pre-filter: 5 µm

The rear pressure gauge connection on the pressure regulator is closed with a blanking plug, the front connection is open. Depending on the customer application, a second blanking plug may be necessary. Please order separately (see accessories).

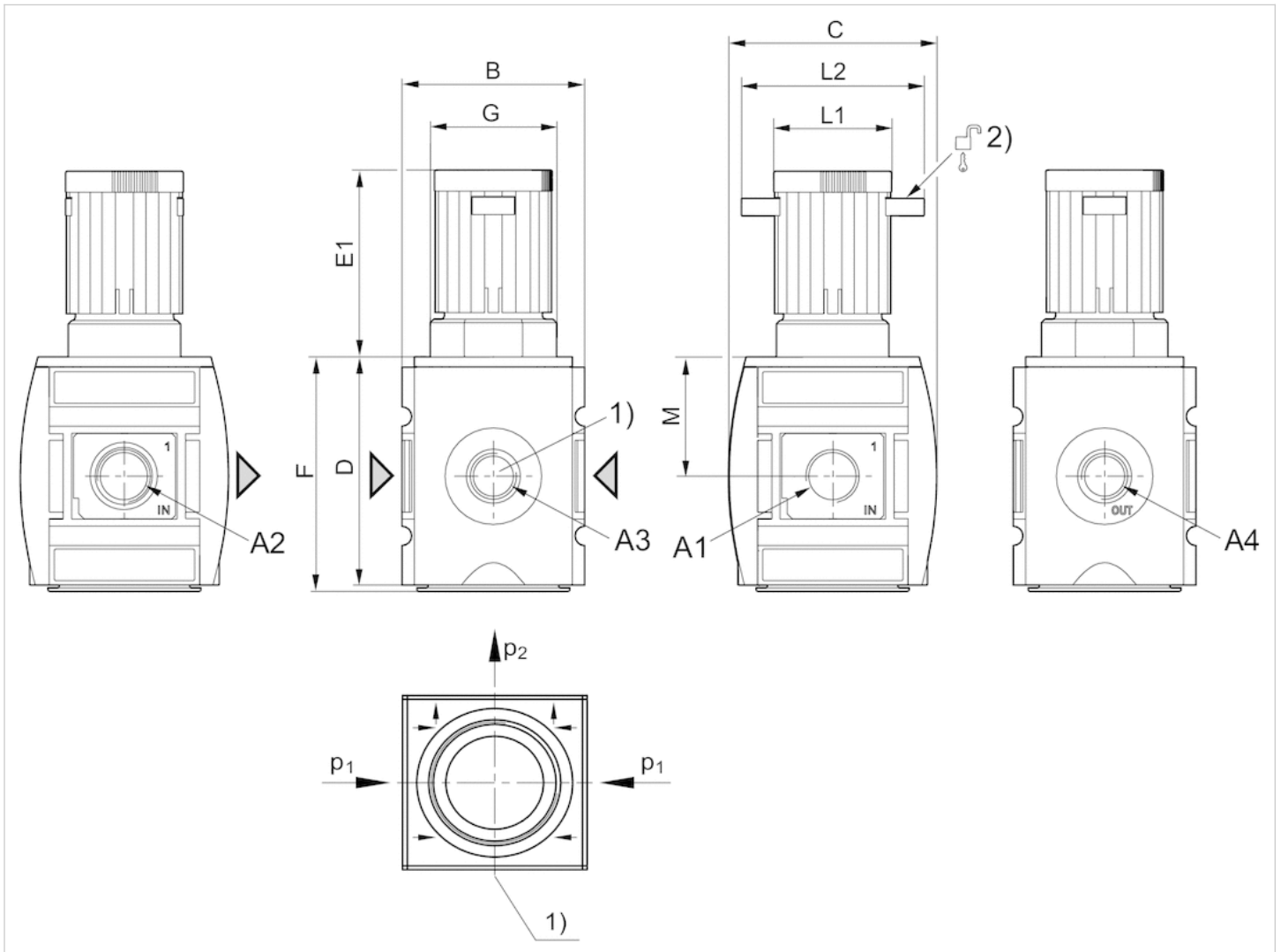
Suitable for use in Ex zones 1, 2, 21, 22

Technical information

Material	
Housing	Polyamide
Front plate	Acrylonitrile butadiene styrene
Seals	Acrylonitrile butadiene rubber
Threaded bushing	Die cast zinc

Dimensions

Dimensions



A1 = input A2 = output A3 = pressure gauge connection

A4 = output

1) Pressure gauge connection

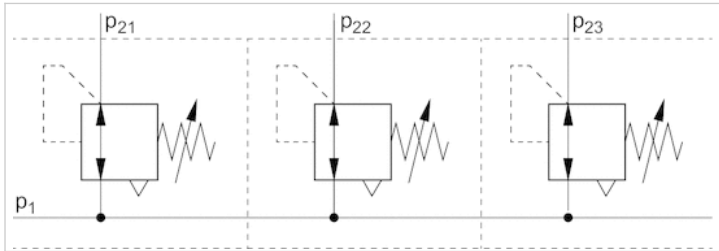
2) Mounting option for padlocks; max. shackle Ø 8

Dimensions in mm

A1	A2	A3	A4	B	C	D	E1	F	G	L1	L2	M
G 1/4	G 1/4	G 1/4	G 1/4	52	59	65	57.9	66.8	M36x1,5	34	54	34
G 1/4	G 1/4	G 1/4	G 1/4	52	59	65	57.9	66.8	M36x1,5	34	54	34
G 3/8	G 3/8	G 1/4	G 1/4	52	59	65	57.9	66.8	M36x1,5	34	54	34

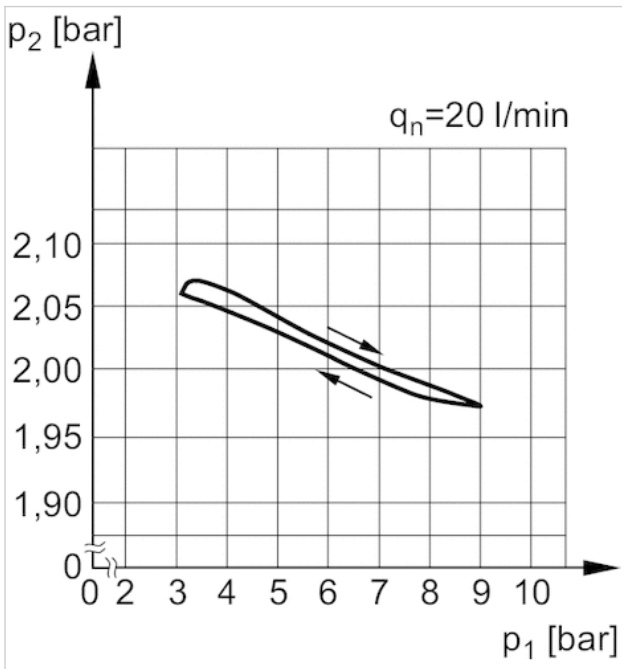
Diagrams

Application example



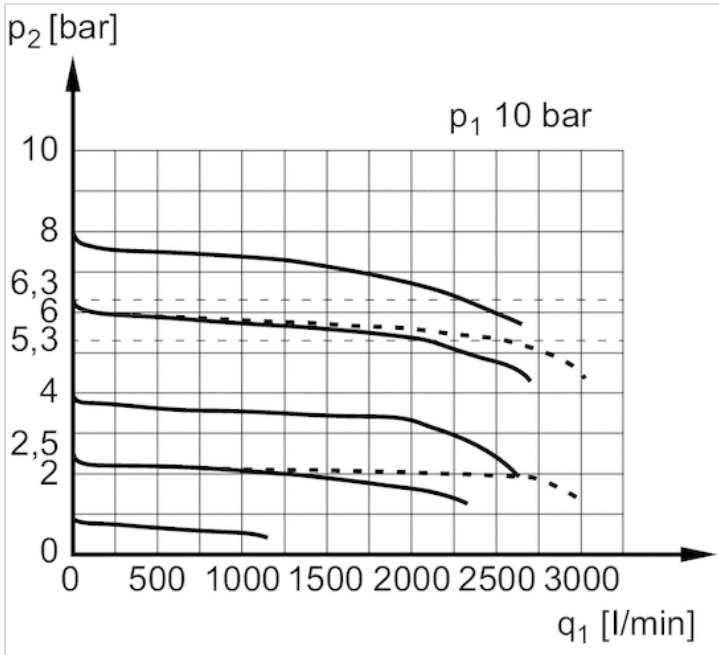
p_1 = working pressure
 p_{21} ; p_{22} ; p_{23} = secondary pressure

Pressure characteristics curve



p_1 = Working pressure
 p_2 = Secondary pressure
 q_n = Nominal flow

Flow rate characteristic (p₂: 0,5 - 8 bar)



p₁ = Working pressure
 p₂ = Secondary pressure
 q_n = Nominal flow