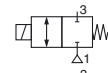




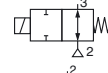
MICRO SOLENOID VALVES

rocker mechanism, fluid isolation
pad mounting body
size 10 mm

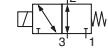
2/2 NC



2/2 NO



3/2 U



2/2
3/2
Series
067

1

FEATURES

- Miniature solenoid valves for medical and gas analysers and biotechnology equipment
- Designed to control acids, bases and analytical reagents
- Hermetic separation of control mechanism and fluid:
 - Prevents particulate contamination caused by friction of moving parts, assuring maximum purity of fluid
 - Ensures reliable operation in applications with highly aggressive fluids
- Reduced heat transfer between control mechanism and fluid
- Good self-draining capability and easy-to-flush internal cavity
- Low dead volume
- Power savings and reduced heat exchange due to special integrated electronics
- Easy installation
- High-quality materials and thorough testing offer high reliability and an unprecedented service life

GENERAL

Differential pressure -0,9 to +3 bar (usable in 0,1 bar abs. vacuum) [1 bar =100 kPa]
Maximum viscosity 20 cSt (mm²/s)
Response time < 10 ms
Dead volume < 13 µl (connections not included)

fluids (*)	temperature range (TS)	seal materials (*)
liquids or gases (filtered 50 µm)	+10°C to + 40°C ⁽³⁾	FFPM (perfluoroelastomer)

MATERIALS IN CONTACT WITH FLUID

(*) Ensure that the compatibility of the fluids in contact with the materials is verified

Body PEEK
Diaphragm FFPM
Seals FFPM
Long flange PEEK

OTHER MATERIALS

Internal parts Stainless steel

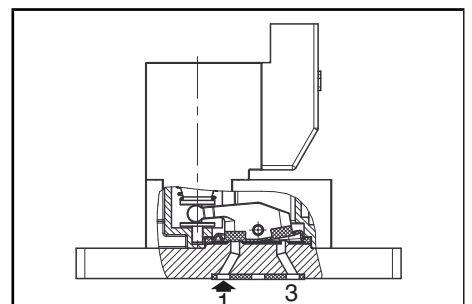
ELECTRICAL CHARACTERISTICS

Coil insulation class F
Connector 2 contacts (5,08 mm pin spacing) for plug-type connector with 2 lead wires (0,5 mm²) ⁽²⁾ (EN 60335) or with cable ends, length 0,5 m

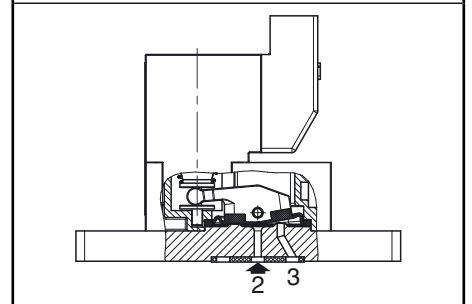
Electrical safety IEC 335
Electrical enclosure protection IP40 (EN 60529) with built-in LED and electrical protection
Standard voltages DC (=) : 12V - 24V
 (Other voltages on request)

prefix option	power ratings				operator ambient temperature range (TS) (C°)	replacement coil	type ⁽¹⁾
	inrush		holding				
	(VA)	(W)	(VA)	(W)			
SC	-	-	-	2,5 / 1	+10 to + 50	-	01-02
L	-	-	-	2,5 / 1	+10 to + 50	-	03

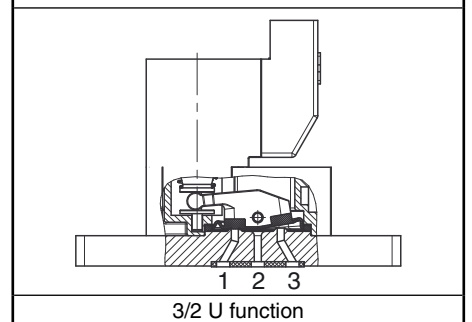
⁽¹⁾ Refer to the dimensional drawings on the page 3.
⁽²⁾ Plug-type connectors with 0,5m, 1,5 m or 5 m lead wires to be ordered separately, see page 2.
⁽³⁾ Seals and diaphragm: FPM, +10°C to +40°C / EPDM, +5°C to +40°C.
⁽⁴⁾ With integrated electronic card with power-save function, 1 W after 15 ms of operation.



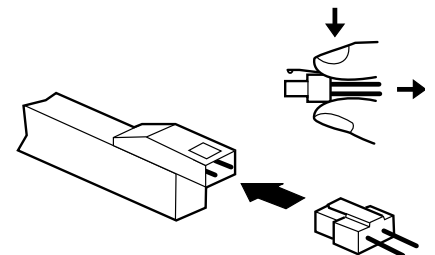
2/2 NC function



2/2 NO function



3/2 U function



Version designed for 2-wire plug-type connector with 5,08 mm pin spacing

SPECIFICATIONS

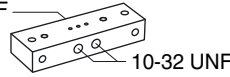
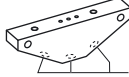
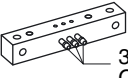
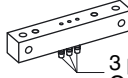
pipe size	orifice size (mm)	flow coefficient Kv (m³/h) (l/min)		operating pressure differential (bar)		power coil (W)	catalogue number			options		
				min.	max. (PS)		horizontal connection	vertical connection	with cable ends	FPM	EPDM	
					gases liquids (*)							
					=	=	=	=	=			
2/2 NC - Normally closed												
pad mounting	0,6	0,006	0,1	-0,9	3	1	SCS067A021	SCS067A022	LS067A025	V	E	-
	0,8	0,010	0,18	-0,9	2	1	SCS067A026	SCS067A027	LS067A030	V	E	-
	1	0,017	0,29	-0,9	1,5	1	SCS067A031	SCS067A032	LS067A035	V	E	-
	1,35	0,026	0,44	-0,9	1	1	SCS067A036	SCS067A037	LS067A040	V	E	-
2/2 NO - Normally open												
pad mounting	0,6	0,006	0,1	-0,9	3	1	SCS067A061	SCS067A062	LS067A065	V	E	-
	0,8	0,010	0,18	-0,9	2	1	SCS067A066	SCS067A067	LS067A070	V	E	-
	1	0,017	0,29	-0,9	1,5	1	SCS067A071	SCS067A072	LS067A075	V	E	-
	1,35	0,026	0,44	-0,9	1	1	SCS067A076	SCS067A077	LS067A080	V	E	-
3/2 U - Universal												
pad mounting	0,6	0,006	0,1	-0,9	3	1	SCS067A101	SCS067A102	LS067A105	V	E	-
	0,8	0,010	0,18	-0,9	2	1	SCS067A106	SCS067A107	LS067A110	V	E	-
	1	0,017	0,29	-0,9	1,5	1	SCS067A111	SCS067A112	LS067A115	V	E	-
	1,35	0,026	0,44	-0,9	1	1	SCS067A116	SCS067A117	LS067A120	V	E	-

(1) Plug-type connector, 5,08 mm pin spacing, with 2 lead wires:

- length 0,5 m catalogue number **88118801**
- length 1,5 m catalogue number **88118802**
- length 3 m catalogue number **88118803**



SUBBASES

pipe size	mounting type	description	composition	catalogue number
Single PEEK subbases				
10-32 UNF	individual	side connection	10-32 UNF 	36100038
1/4-28 UNF	individual	bottom connection	 3 x 1/4-1/8 UNF	36100040
Push-in connections O.D. 2,1 mm for flexible tube	individual	side connection	 3 push-in connections O.D. 2,1mm	36100044
		bottom connection	 3 push-in connections O.D. 2,1mm	36100042

OPTIONS

- Valves can also be supplied with FPM (fluoroelastomer) and EPDM (ethylene-propylene) seals and diaphragm. Use the appropriate optional suffix letter for identification
- Plug-type connector, 0,5 m lead wires (catalogue number **88118801**) / 1,5 m lead wires (catalogue number **88118802**) / 3 m lead wires (catalogue number **88118803**)
- Impulse manual operator

INSTALLATION

- The solenoid valves can be mounted in any position without affecting operation
- Flange body provided with 2 mounting holes
- Pad-mounting solenoid valve supplied with seals for mounting on single subbase with threaded or push-in hose connections

ORDERING EXAMPLES:

SC	S	067	A	021	12V / DC
SC	S	067	A	022	V 24V / DC
SC	S	067	A	061	12V / DC
L	S	067	A	025	24V / DC

prefix — pipe thread — basic number — voltage — suffix

DIMENSIONS (mm), WEIGHT (kg)



TYPE 01

Prefix "SC" Solenoid
IEC 335 / horizontal connection 5,08 mm
IP40
Weight: 0,18

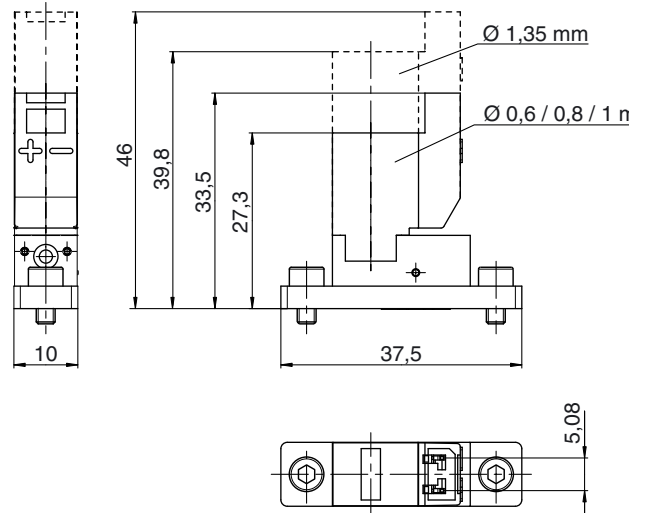
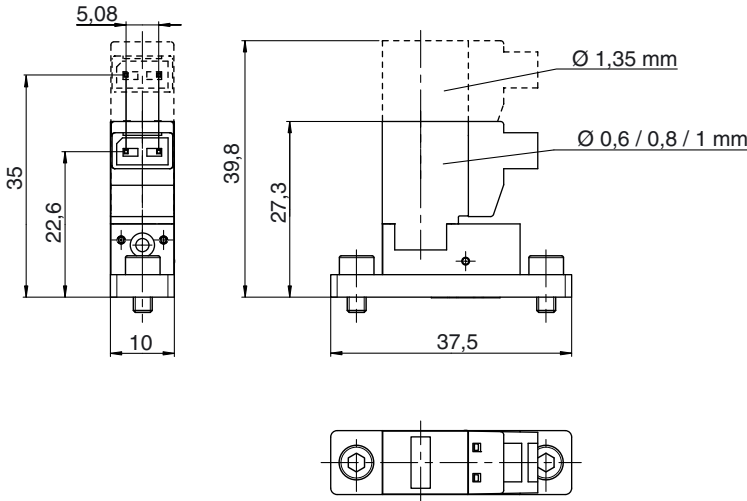
Ø 0,6/0,8/1 mm: SCS067A021/026/031/061/066/071/101/106/111
Ø 1,35 mm: SCS067A036/076/116



TYPE 02

Prefix "SC" Solenoid
IEC 335 / vertical connection 5,08 mm
IP40
Weight: 0,18

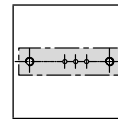
Ø 0,6/0,8/1 mm: SCS067A022/027/032/062/067/072/105/107/112
Ø 1,35 mm: SCS067A037/077/117



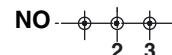
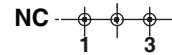
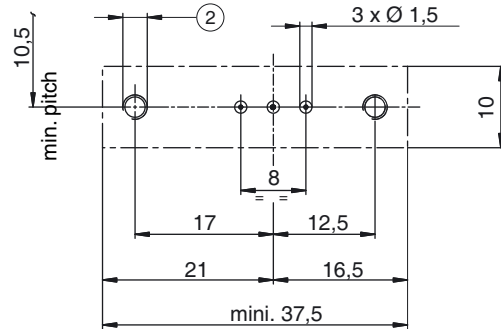
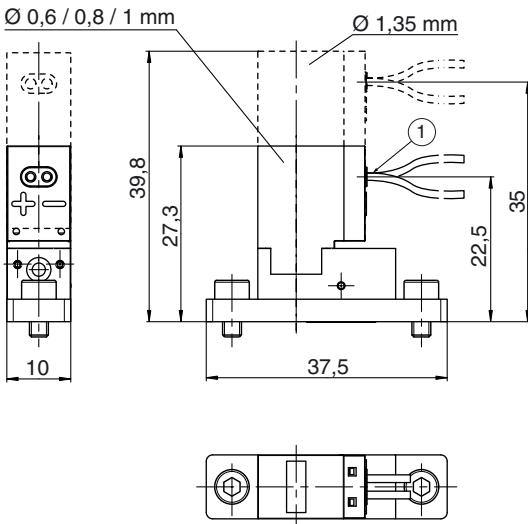
TYPE 03

Prefix "L" solenoid
IEC 335 / cable ends, length 0,5 m
IP40
Weight 0,22

Ø 0,6/0,8/1 mm: LS067A025/030/035/065/070/075/105/110/115
Ø 1,35 mm: LS067A040/080/120



MOUNTING PAD



- ① 2 wires, length 0,5 m
- ② 2 mounting holes Ø M3, depth 5 mm

type	prefix option	weight ⁽¹⁾
01-02	SC	0,18
03	L	0,22

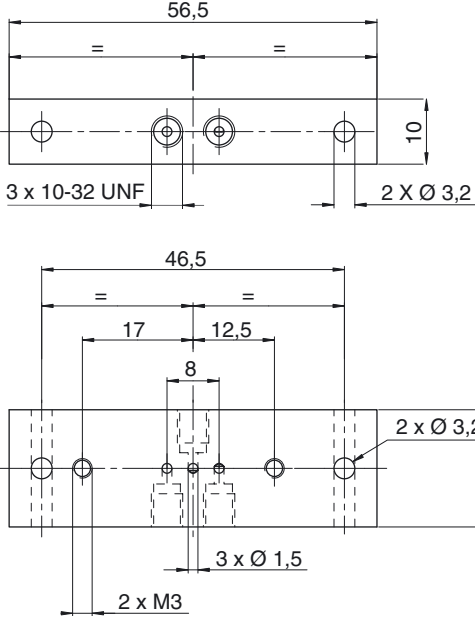
⁽¹⁾ Type 01- 02: without plug-type connector
Type 03: with 0,5 m cable ends

DIMENSIONS (mm), WEIGHT



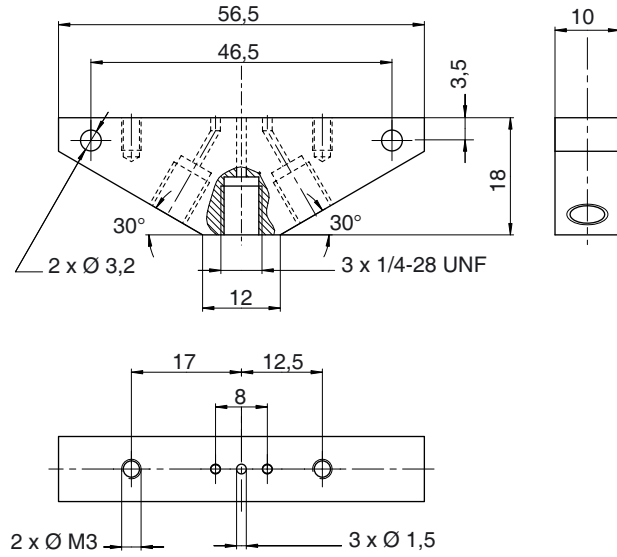
Single subbase with threaded connections
Side connection
10-32 UNF thread
PEEK

36100038



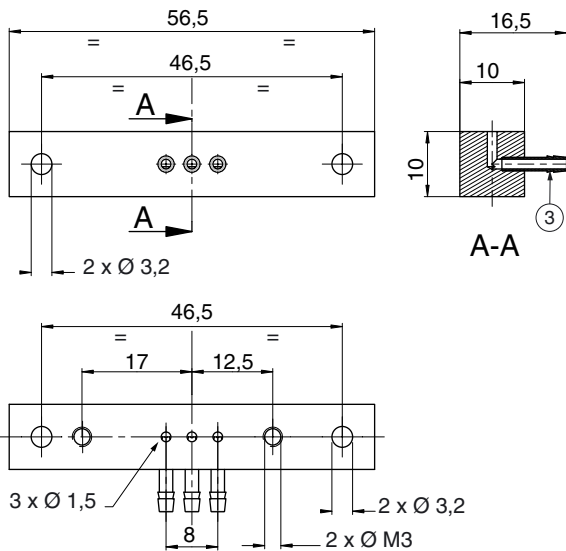
Single subbase with threaded connections
Bottom connection
1/4-28 UNF thread
PEEK

36100040



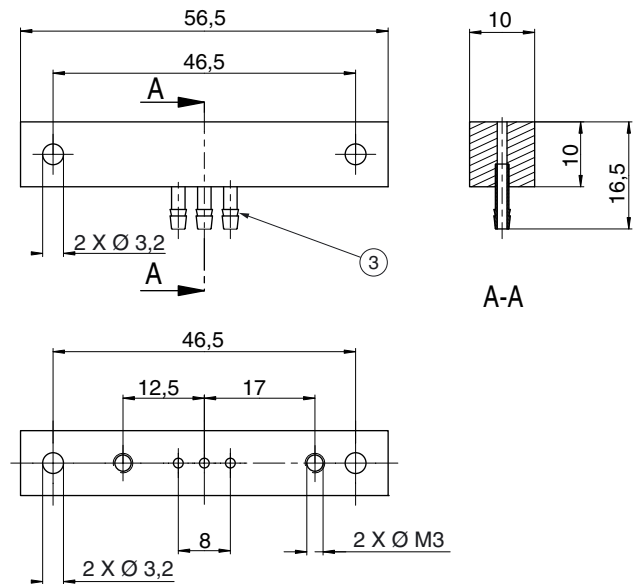
Single subbase with push-in hose connections
Side connection
Push-in connection O.D. 2,1mm
PEEK

36100044



Single subbase with push-in hose connections
Bottom connection
Push-in connection O.D. 2,1mm
PEEK

36100042



③ Push-in connection O.D. 2,1 mm for flexible tube