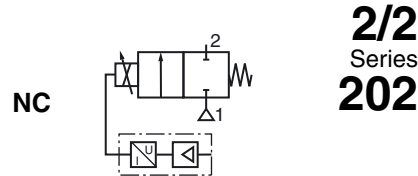


PROPORTIONAL SOLENOID VALVE PRECIFLOW



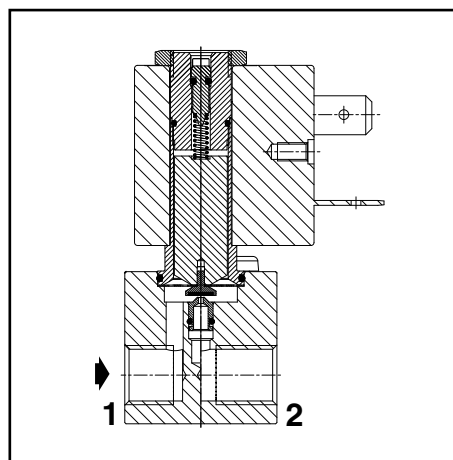
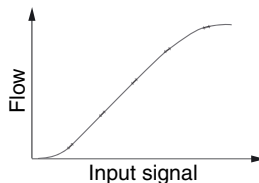
direct operated, M5-1/8
ISO 15218 (CNOMO size 15) interface, M5 subbase



2/2
Series
202

FEATURES

- Proportional solenoid valve with very low hysteresis
- Variable flow, proportional to the control signal
- Valves do not require a minimum operating pressure
- Suitable for vacuum operation
- Solenoid valves satisfy all relevant EC directives



GENERAL

Differential pressure See "Specifications" [1 bar = 100 kPa]
Pneumatic base (subbase mount) ISO 15218 (CNOMO E06.36.120N, size 15)

fluids (*)	temperature range (TS)	seal materials (*)
air, inert gas ⁽¹⁾	0°C to + 50°C	FPM (fluoroelastomer)

⁽¹⁾ Filtration: M5 or pad mount version: 5 µm - 1/8 : 50 µm.

MATERIALS IN CONTACT WITH FLUID

(*) Ensure that the compatibility of the fluids in contact with the materials is verified

Body	Brass or PVDF (polyvinylidene fluoride)
Core tube	Brass
Core and plugnut	Stainless steel
Springs	Stainless steel
Seat	Stainless steel
Seals	FPM

ELECTRICAL CHARACTERISTICS

Coil insulation class F
Connector Spade plug (cable Ø 4-6 mm, Ø 6-8 mm, Ø 6-10 mm)
connector specification DIN 43650, 9,4 mm, industry standard B (type 01)
DIN 43650, 11 mm, industry standard B (type 02)
ISO 4400 / EN 175301-803, form A (type 03)

Electrical safety IEC 335
Electrical enclosure protection Moulded IP65 (EN 60529)
Standard voltages DC (=) : 12V, 24V (other voltages on request)

prefix option	max. operating current (mA)		power ratings				operator ambient temperature ranges (TS) ⁽²⁾ (C°)	replacement coil		type ⁽²⁾
	12 V	24 V	inrush ~ (VA)	holding ~ (VA)	hot/cold = (W)	= (W)		12 V DC	24 V DC	
	SC	85	40	-	-	-		1	0 to + 50	
	340	170	-	-	-	4	0 to + 50	-	-	02
	400	230	-	-	-	5	0 to + 50	43004151	43004158	02
	760	380	-	-	-	9	0 to + 50	-	-	03

Voltage regulation 0 - 12 V DC, 0 - 24 V DC
12 V and 24 V DC pulse-width modulated (1000 Hz)

Flow regulation characteristics Hysteresis < 3%; repeatability 1%; sensitivity < 1%

SPECIFICATIONS

pipe size	orifice size (mm)	flow coefficient Kv (m³/h, l/min)		operating pressure differential (bar) min.	power coil (W)	catalogue number			
		max. (PS)	air, inert gas (*)			threaded body		ISO 15218 (CNOMO, size 15) interface	
						brass (=)	PVDF (=)	brass (=)	
NC - Normally closed									
M5 or pad mount	0,1	0,0003	0,005	-0,9	10	1	SCG202A500	-	SCS202A505
	0,2	0,0012	0,02			1	-	SCG202A501	SCS202A506
	0,4	0,0048	0,08			4	-	SCG202A502	SCS202A507
	0,6	0,0096	0,16			4	-	SCG202A503	SCS202A508
	0,8	0,018	0,3			4	-	SCG202A504	SCS202A509
G 1/8	0,8	0,018	0,3	-0,9	10	5	SCG202A510	-	-
	1,2	0,041	0,68			5	SCG202A511	-	-
	1,6	0,071	1,18			5	SCG202A512	-	-
	2,0	0,096	1,6			9	SCG202A513	-	-

⁽²⁾ Refer to the dimensional drawings on the following page.

SUBBASES (for pad mount ISO 15218 versions)

port connections	type of subbase	description	catalogue number	
			aluminium	brass
Single subbase, ISO 15218 (CNOMO E06.36.120N, size 15)				
M5	single	with lateral M5 connections	88263002	30300001

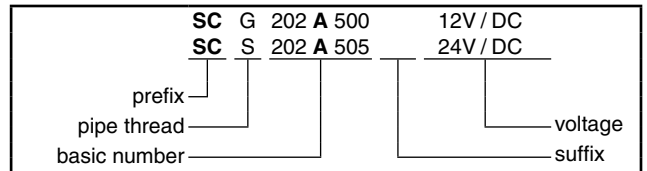
OPTIONS

- Digital control module CONTROL^D for DIN EN 50022 rail mounting: (See Section 04, page 35)
 - Used as a current regulator in open loop applications
 - Used with an external sensor for closed-loop applications
- Proportional control electronics: catalogue number: **E908A001** or **E908A003** or **E908A004** according to type (see page "Electronic Proportional Control Unit", current adjustment from 0 to 1100 mA)
- Stainless steel version available on request
- Other coil currents on request
- Other pipe connections available on request
- Plug with visual indication and peak voltage suppression or with cable length of 2 m (see "Solenoids, coils and accessories")

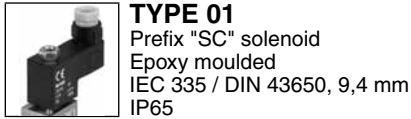
INSTALLATION

- The valves can be mounted in any position without affecting operation
- Pipe connection identifier is: G = G (ISO 228/1)
- Installation/maintenance instructions are included with each solenoid valve

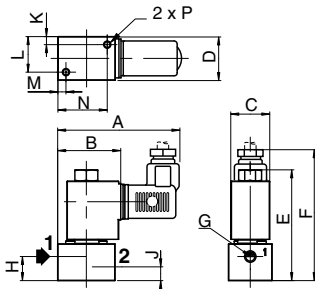
ORDERING EXAMPLES:



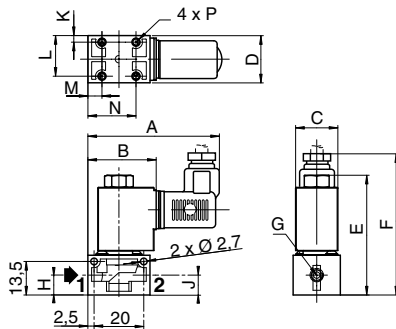
DIMENSIONS (mm), WEIGHT (kg)



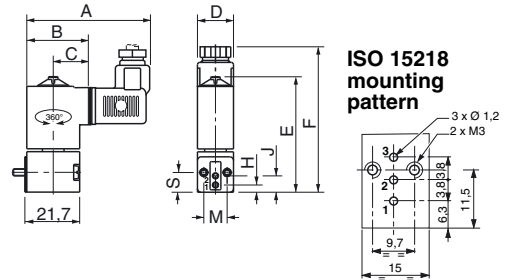
SCG202A500



SCG202A501/A502/A503/A504

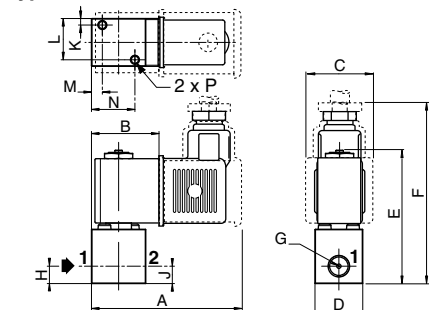


SCS202A505/A506/A507/A508/A509 (Version with ISO 15218 interface for installation on single subbase M5)



Type 02 : SCG202A510/A511/A512

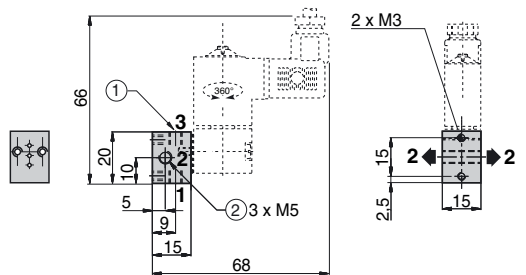
Type 03 : SCG202A513



SINGLE SUBBASE M5 Aluminium or brass



88263002 - 30300001



- ① Outlet (2) can be connected to the left or right of the subbase; plug the unused port with a Ø M5 plug (supplied)
- ② Port (3) unused (to be protected with a plug)

type	prefix option	catalogue number	A	B	C	D	E	F	G	H	J	K	L	M	N	P	weight ⁽¹⁾
01	SC	SCG202A500	53,9	27,5	17	19	48,2	59,5	M5	10,5	6	3,5	15,5	3,5	21,5	M3	0,100
		SCG202A501/A502/A503/A504	53,9	27,5	17	19	48,2	59,5	M5	8	8	2,65	16,35	5,65	19,35	Ø2,6	0,060
		SCS202A505/A506/A507/A508/A509	53	25,6	14,8	17	48	17	8,7	3,5	7,3	48	61	9,7	-	-	-
02	SC	SCG202A510/A511/A512	63,3	31,1	23	22	60,4	75,4	G1/8	8	8	3	19	5	20	M4	0,200
03	SC	SCG202A513	73,3	38	30	22	60,4	79	G1/8	8	8	3	19	5	20	M4	0,200
-	-	88263002	-	-	-	-	-	-	-	-	-	-	-	-	-	-	0,012
-	-	30300001	-	-	-	-	-	-	-	-	-	-	-	-	-	-	0,034

⁽¹⁾ Including coil and connector.