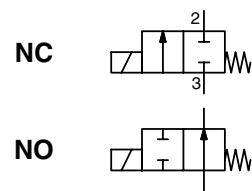




SOLENOID VALVES

lever mechanism, fluid isolation
threaded connections
1/4 - 1/2



2/2
Series
283

FEATURES

- Solenoid valves for medical analysers, biotechnology and chemical industry
- Ideal solenoid valves to control corrosive fluids
- The solenoid valves satisfy all relevant EC directives

GENERAL

Differential pressure See «SPECIFICATIONS» [1 bar = 100 kPa]
Maximum viscosity 37 cSt (mm²/s)
Response time 25 to 30 ms (opening/closing)

fluids (*)	temperature range (TS)	seal materials (*)
air, inert gases,	-10°C to + 100°C	VMQ (silicone)
water, oil and liquid fluids	-10°C to + 100°C (1/2: + 90°C)	EPDM (ethylene-propylene)

MATERIALS IN CONTACT WITH FLUID

(*) Ensure that the compatibility of the fluids in contact with the materials is verified

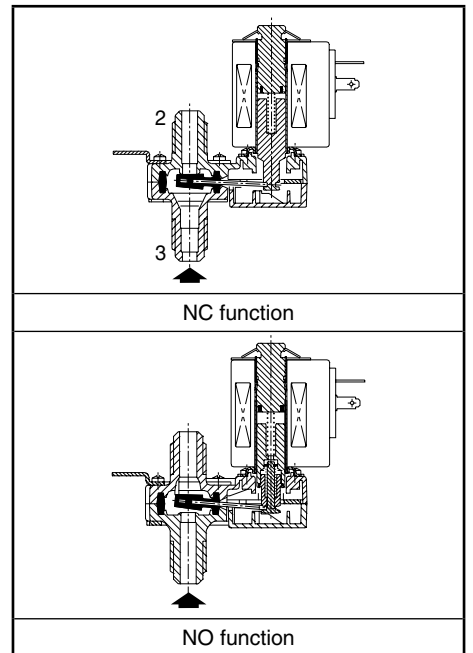
Body 1/4: PEI (polyetherimide)
1/2: PPS (polyphenylene sulphide)
Poppet seal VMQ, EPDM or FPM

ELECTRICAL CHARACTERISTICS

Coil insulation class F
Connector Spade plug (cable Ø 6-10 mm)
Connector specification ISO 4400 / EN 175301-803, form A
Electrical safety IEC 335
Electrical enclosure protection Moulded IP65 (EN 60529)
Standard voltages DC (=) : 12V - 24V
 (Other voltages and 60 Hz on request) AC (~) : 24V - 115V - 230V / 50 Hz

prefix option	power ratings				operator ambient temperature range (TS) (C°)	replacement coil		type ⁽¹⁾
	inrush ~	holding ~	hot/cold =			~	=	
	(VA)	(VA)	(W)	(W)		230 V/50 Hz	24 V DC	
SC	23	14	8	9	-10 to + 60	43005149	43005144	01 (AMX)
	44	24	13	13	-10 to + 60	43005320	43005317	02 (FNX)

⁽¹⁾ Refer to the dimensional drawings on the following page.



SPECIFICATIONS

pipe size	orifice size	flow coefficient Kv		min.		operating pressure differential (bar)		power coil (W)		catalogue number	options			
						max. (PS)					FPM			
						air, inert gases, liquids (*)								
G	(mm)	(m ³ /h)	(l/min)			~	=	~	=	~/=				
NC - Normally closed, VMQ seals														
1/4	3,2	0,32	5,33	0		1,5	1,5	8	9	SCG283A013	-	-	-	-
	5,5	0,55	9,16	0		1,5	1	8	9		SCG283A014	-	-	-
NC - Normally closed, EPDM seals (optional: FPM)														
1/4	3,2	0,32	5,33	0		10	2,4	8	9	SCG283A011E	V	-	-	-
	5,5	0,55	9,16	0		4,5	1	8	9		SCG283A012E	V	-	-
1/2	10	1,6	26,66	0		1,6	0,25	13	13	SCG283C006E	V	-	-	-
NO - Normally open, FPM seals														
1/4	3,2	0,3	5	0		3	1	8	9	SCG283A019V	-	-	-	-

01022GB-2014/R01
Availability, design and specifications are subject to change without notice. All rights reserved.

OPTIONS

- Valves can also be supplied with FPM (fluoroelastomer) poppet seal. Use the appropriate optional suffix letter for identification
- Other pipe connections are available on request
- Plug with visual indication and peak voltage suppression or with cable length of 2 m

INSTALLATION

- The solenoid valves can be mounted in any position without affecting operation. For optimum performance mount solenoid vertical and upright
- Pipe connection identifier is G = G (ISO 228/1)
- Replacement coils are available:
Type 01 (AMX): DC: 12 V, cat. no.: **43005143** / AC: 24 V, cat. no.: **43005146** ; 115 V, cat. no.: **43005147**
Type 02 (FNX): DC: 12 V, cat. no.: **43005316** / AC: 24 V, cat. no.: **43005318** ; 115 V, cat. no.: **43005319**
- Installation/maintenance instructions are included with each valve

ORDERING EXAMPLES:

SC	G	283	A	013	12V / DC
SC	G	283	A	011 V	24V / DC
SC	G	283	C	006	230V / 50Hz

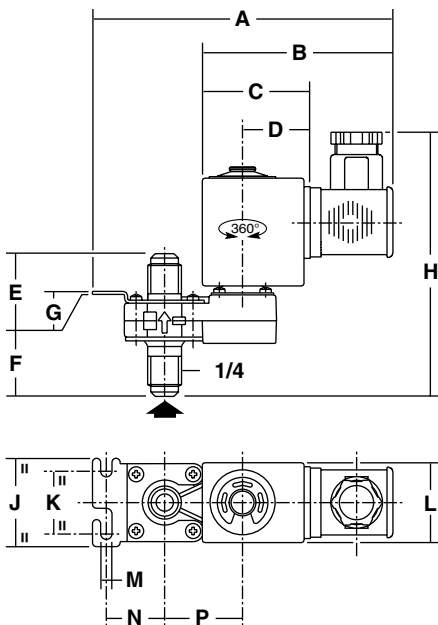
prefix: SC
 pipe thread: G
 basic number: 283
 voltage: 12V / DC, 24V / DC, 230V / 50Hz
 suffix: A, V, C

DIMENSIONS (mm), WEIGHT (kg)

TYPE 01
Prefix "SC" Solenoid
ISO 4400



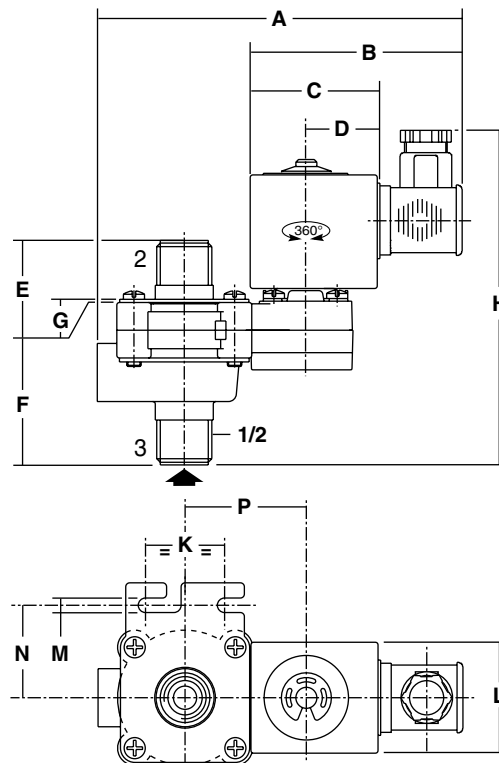
SCG283A011/012/013/014/019V



TYPE 02
Prefix "SC" Solenoid
ISO 4400



SCG283C006



Pressure inlet:

NC function: arrow on body (type 01) or orifice 3 (type 02)

NO function: arrow on body (type 01)

type	prefix option	catalogue number	A	B	C	D	E	F	G	H	J	K	L	M	N	P	weight ⁽²⁾
01	SC	SCG283A011E/012E 013/014/019V	121,5	78	43	27	16,5	40,5	1,2	105	35	25	32	4,5	23	31	0,285
02	SC	SCG283C006E	142,5	84	49	28	23,5	61,5	1,2	128	-	30	42	5,5	35	46	0,57

⁽²⁾ Incl. coil(s) and connector(s).