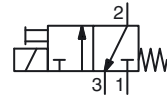




SOLENOID VALVES

for high and low temperature applications
ISO 15218 (CNOMO, size 30) interface
direct operated, pad mounting body

NC



3/2
Series
374

FEATURES

- High and low temperature solenoid pilot valve intended for single acting actuator control
- Solenoid pilot valve with CNOMO size 30 interface (compatible with series 551-552-553)
- AC/DC interchangeability of the solenoid operator without any need for disassembly of the valve
- Epoxy moulded coil suitable for exterior applications
- Version with or without manual operator

GENERAL

Differential pressure 0 - 12 bar [1 bar = 100 kPa]
Pneumatic interface ISO 15218 (CNOMO E06.05.80, size 30)
Response time 8 - 20 ms

fluids (*)	temperature range (TS)	seal materials (*)
air or inert gas	- 25°C to + 60°C - 25°C to + 90°C	NBR (nitrile) FPM (fluoroelastomer)

MATERIALS IN CONTACT WITH FLUID

(*) Ensure that the compatibility of the fluids in contact with the materials is verified

Body Aluminium, black cathoporesis coating
Threaded nut Steel
Core tube, core, plugnut Stainless steel
Shading coil Copper
Internal parts, springs Stainless steel
Seals NBR (+60°C) or FPM (+90°C)

ELECTRICAL CHARACTERISTICS

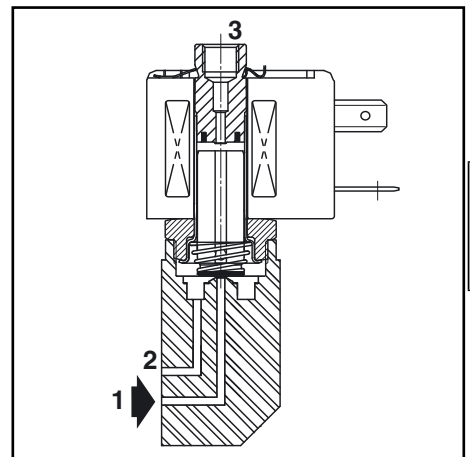
Coil insulation class F (+60°C) or H (+90°C)
Connector Spade plug (cable Ø 6-10 mm)
Connector specification ISO 4400 / EN 175301-803, form A
Electrical safety IEC 335
Electrical enclosure protection Moulded IP65 (EN 60529)
Standard voltages DC (-) : 24V - 48V
AC (~) : 24V - 48V - 115V - 230V / 50 Hz
(Other voltages and 60 Hz on request)

prefix option	power ratings				operator ambient temperature range (TS) (C°)	replacement coil		type ⁽¹⁾
	inrush ~	holding ~	hot/cold =			~	=	
	(VA)	(VA)	(W)	(W)		230 V/50 Hz	24 V DC	
SC	55	23	10,5	9/11,2	-25 to + 60 -25 to + 90	400425-117 400426-117	400425-142 400426-142	01

⁽¹⁾ Refer to the dimensional drawings on the following page..

SPECIFICATIONS

pipe size	orifice size		flow coefficient Kv				operating pressure differential (bar)			power coil (W)		catalogue number	
	1 → 2	2 → 3	1 → 2		2 → 3		min.	max. (PS)		~	=	without manual operator	with maintained manual operator
	(mm)	(mm)	(m³/h)	(l/min)	(m³/h)	(l/min)		air (*)					
								~	=			~/=	~/=
NC - Normally closed, NBR seals, low temperatures													
pad mount	2	-	0,11	1,8	0,11	1,8	0	12	12	10,5	11,2	SCS374A090	SCS374A090MS
NC - Normally closed, FPM seals, high and low temperatures													
pad mount	2	-	0,11	1,8	0,11	1,8	0	12	12	10,5	11,2	SCHTS374A090V	SCHTS374A090VMS



E

INSTALLATION

- The solenoid valves can be mounted in any position without affecting operation
- Solenoid valves supplied with mounting pad screws
- Installation on valve or single, non-joinable subbase with ISO 15218 (CNOMO, size 30) interface
- Pipe connection G 1/8 has standard thread according to ISO 228/1
- Installation/maintenance instructions are included with each valve

DIMENSIONS (mm), WEIGHT (kg)

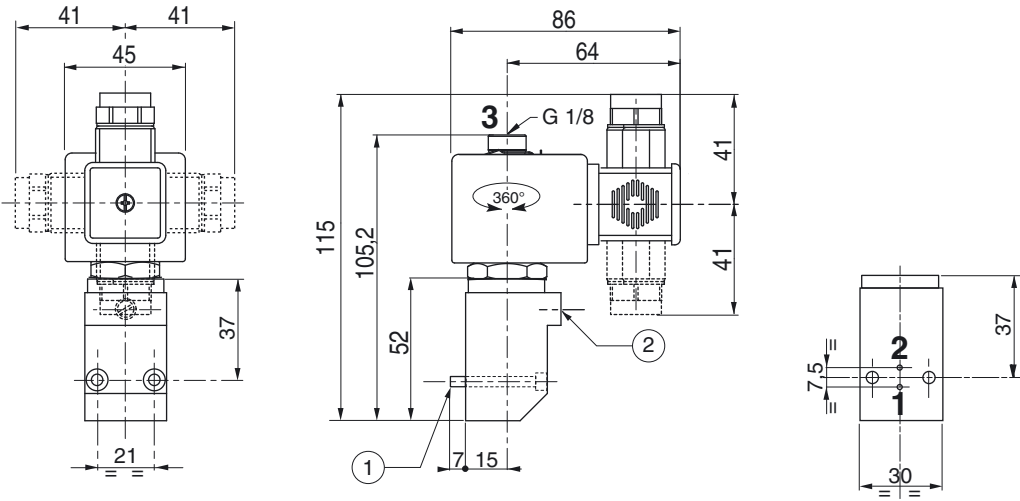


TYPE 01

Prefix "SC" Solenoid
Epoxy moulded
IEC 335 / ISO 4400
IP65

ORDERING EXAMPLES:

	SC	S	374	A	090		24V / DC
	SCHT	S	374	A	090	VMS	230V / 50 Hz
prefix							voltage
pipe thread							
basic number							suffix



type	weight ⁽¹⁾
01	0,49

- ① Mounting: 2 screws M4 x 35
② Manual operator location

⁽¹⁾ including coil and connector.