

**JOUCOMATIC**

**SPOOL VALVES**  
**air operated**  
 ISO 15407-1 - VDMA 24563  
 subbase-mounted body



**5/2-5/3**

Series

**538**

Type

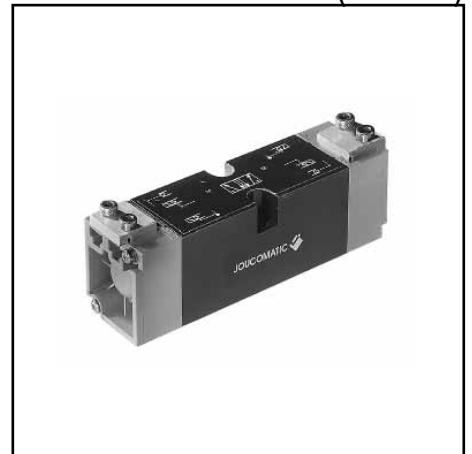
ISO size 02 (18 mm)

**GENERAL**

**Fluid** Air or neutral gaz, filtered, lubricated or not  
**Operating pressure** 0 to 8 bar (1,5 to 8 bar with differential return)  
**Pilot pressure** See "specifications"  
**Ambient temperature** +5 °C to +50 °C  
**Flow (Qv at 6 bar)** 500 l/min (ANR) - Kv : 7,2  
**Subbase** Single or joinable subbases

**CONSTRUCTION**

**Body** Light alloy  
**Cover** POM (polyacetal)  
**Internal parts** Stainless steel, light alloy and POM (polyacetal)  
**Sealings** NBR (nitrile)



**SPECIFICATIONS**

function	symbol	operators		pilot pressure (bar)		catalogue number
		pilot (14)	return (12)	min.	max.	
<b>5/2</b>		air	differential	1,5	8	<b>53800001</b>
		air	air	1	8	<b>53800002</b>
<b>5/3</b>		air operated pressure held <b>W1</b>		1,5	8	<b>53800003</b>
		air operated pressure applied <b>W2</b>		1,5	8	<b>53800004</b>
		air operated pressure release <b>W3</b>		1,5	8	<b>53800005</b>

**D**

**SUBBASES**

description		size	port connection				catalogue number	
subbase	connection		1	2-4	3-5	12-14		
single subbase	side	ISO 02	G 1/8	G 1/8	G 1/8	M5	<b>35500525</b>	
joinable subbases (1)	side	ISO 02	subbase	-	G 1/8	-	M5	<b>35500527</b>
			set of 2 end plates	G 1/4	-	G 1/4	-	<b>88135539</b>
			set of 3 plugs on main pressure (1) and exhausts (3-5) for 2 different pressure supplies					<b>88135541</b>

(1) Joinable subbases are put together by small modular joining bolts.  
 Joinable subbases can be mounted on symmetrical EN 50022 profiles with hexagon screws.

**OPTIONS**

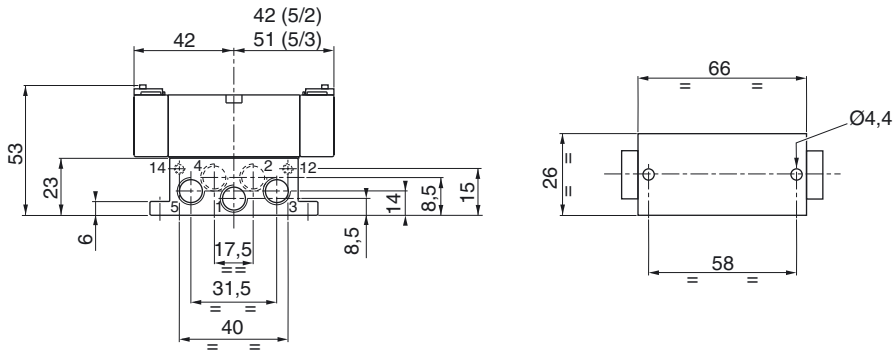
- Material for use in potentially **explosive atmospheres** caused by gases or dusts (ATEX directive 94/9/EC)

zones	classification (Ex)	ATEX option cat. n°
2-22	II3GD c - Ta 50°C T85°C (T6)	<b>612035</b>
1-21	II2GD c - Ta 50°C T85°C (T6)	<b>612036</b>

00210GB-2011/R01  
 Availability, design and specifications are subject to change without notice. All rights reserved.

## DIMENSIONS (mm), WEIGHT (kg)

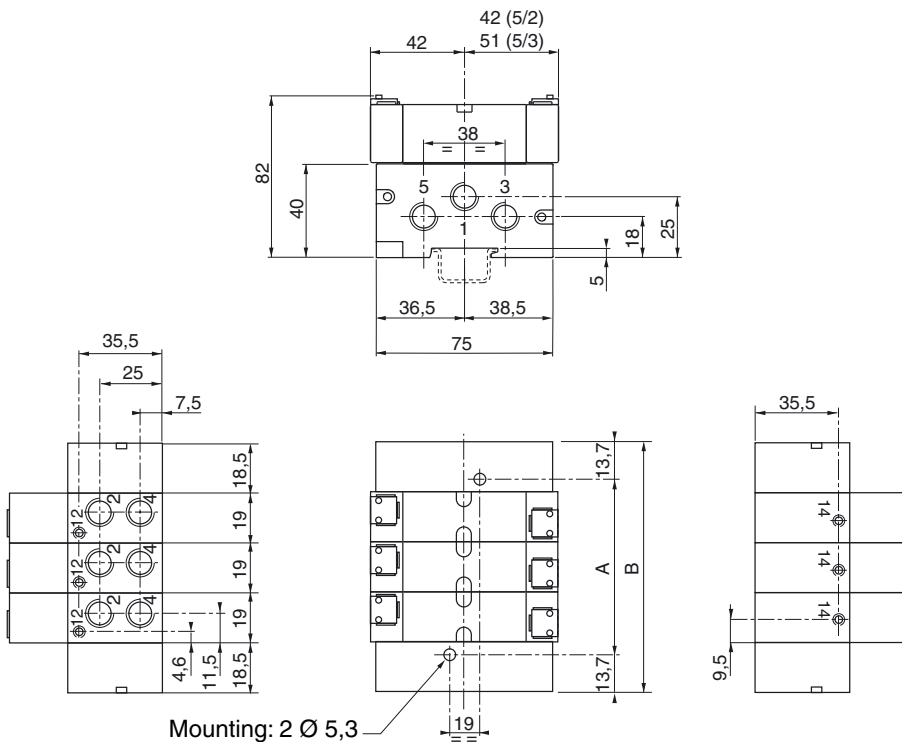
### SPOOL VALVES ON SINGLE SUBBASE



weight	
spool valves + subbase	
0,260	

n° ports	Ø ports
1-3-5	G 1/8
2-4	G 1/8
12-14	M5

### SPOOL VALVES ON JOINABLE SUBBASES



number of subbases	dimension		weight spool valves + subbases + end plates
	A	B	
3	66,5	94	0,880
4	85,5	113	1,090
5	104,5	132	1,300
6	123,5	151	1,510
7	142,5	170	1,720
8	161,5	189	1,930
+1	+19	+19	+ 0,210

n° ports	Ø ports
1-3-5	G 1/4
2-4	G 1/8
12-14	M5

## FEATURES

- Reliability: steel spool & sleeve technology with long service life
- Robust valve design, particularly recommended for use in high-temperature or dirty environments

## GENERAL

<b>Fluids</b>	Air or neutral gas, filtered, lubricated or not
<b>Operating pressure</b>	Vacuum to 16 bar
<b>Pilot pressure</b>	1,8 to 10 bar
<b>Ambient temperature</b>	-20 °C to +80 °C
<b>Flow (Qv at 6 bar)</b>	400 l/min (500 l/min with special subbase)
<b>Base</b>	ISO 15407-1 - VDMA 24563
<b>Subbase</b>	Single or joinable subbase

## CONSTRUCTION

<b>Body</b>	Aluminium, anodised, painted grey
<b>Internal parts</b>	Stainless steel, POM (polyacetal), aluminium
<b>Seals</b>	NBR (nitrile)

## SPECIFICATIONS

function	symbol	operators		Pilot pressure (bar)		catalogue number
		pilot (14)	return (12)	min.	max.	
5/2		Luft	Differential	1,8	10	181PA400210000
		Luft	Luft			181PP468002100
5/3		air operated pressure held <b>W1</b>				181PP600210000
		air operated pressure applied <b>W2</b>				181PP700210000
		air operated pressure released <b>W3</b>				181PP500210000


## SUBBASES

description		size	port connection				catalogue number	
subbase	type of port		1	2-4	3-5	12-14		
single subbase	seitlich	ISO 02	G 1/8	G 1/8	G 1/8	M5	35500525	
joinable subbase (1)	seitlich	ISO 02	subbase	G 1/8	-	M5	35500527	
			set of 2 end plates	G 1/4	-	G 1/4	-	88135539
			set of 3 plugs on main pressure (1) and exhausts (3-5) for 2 different pressure supplies					88135541

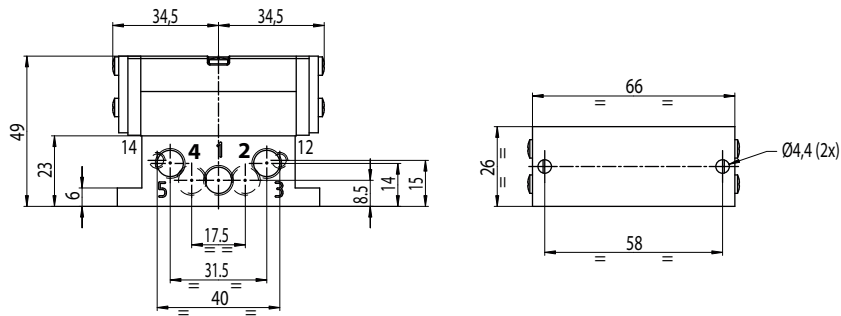
(1) Joinable subbases are put together with small modular columns  
Joinable subbases can be mounted on symmetric EN 50022 profiles with hexagon screws

00210GB-2011/R02 Availability, design and specifications are subject to change without notice. All rights reserved.

D

**DIMENSIONS (mm), WEIGHT (kg)** 

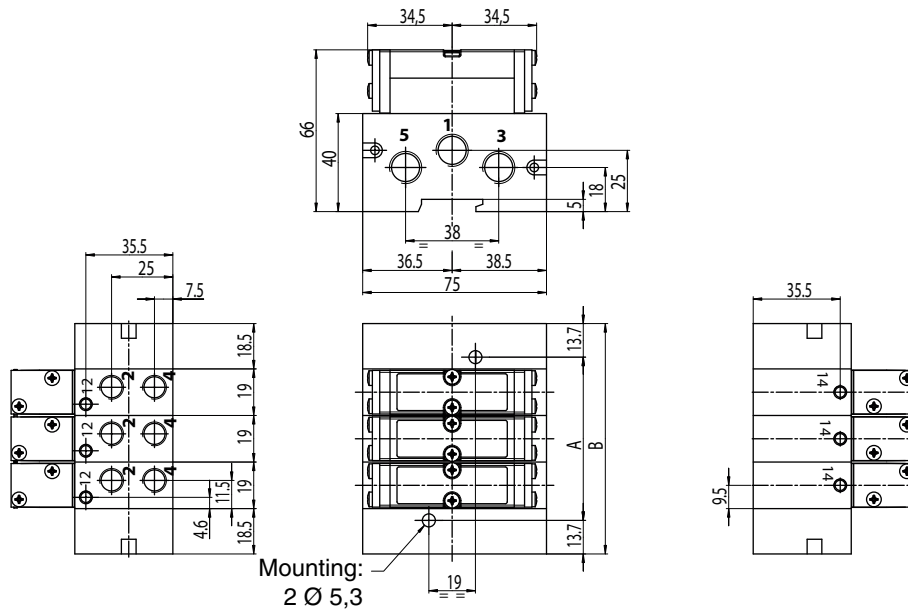
### VALVE ON SINGLE SUBBASE



weight	
valve + subbase	
0,260	

port no.	Ø port
1-3-5	G 1/8
2-4	G 1/8
12-14	M5

### VALVE ON JOINABLE SUBBASES



Number of subbases	dimensions		weight valve + subbases + end plates
	A	B	
3	66,5	94	0,880
4	85,5	113	1,090
5	104,5	132	1,300
6	123,5	151	1,510
7	142,5	170	1,720
8	161,5	189	1,930
+1	+19	+19	+ 0,210

port no.	Ø port
1-3-5	G 1/4
2-4	G 1/8
12-14	M5