



Series 544

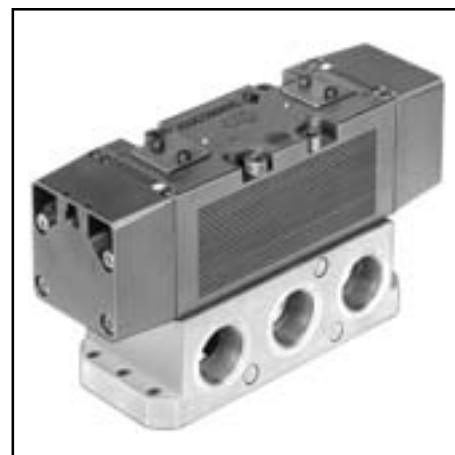
MULTIFUNCTION SPOOL VALVE

air operated

ISO 5599/01 - Size 4

SPECIFICATIONS

FLUID	: Air or neutral gas, filtered, lubricated or not
PRESSURE	: Can be used with vacuum – 0.950 bar max. – 0.950 to +12 bar +2 to +12 bar (with internal differential return)
PILOT PRESSURE	: See diagram below
AMBIENT TEMPERATURE	: – 10°C, +60°C
FLOW (Qv at 6.3 bar)	: 6300 l/min (ANR) (with subbase G 3/4) 7000 l/min (ANR) (with subbase G 1)
FLOW COEFFICIENTS	: KV = 90 (with subbase G 3/4) KV = 100 (with subbase G 1)
LIFE	: 5 millions of cycles (in normal operating conditions)
BASE	: ISO 5599/01- Size 4
PORT	: By subbases G 3/4 - G 1
SUBBASES	: Single subbase ISO/AFNOR NF E49085



CONSTRUCTION

Body and cover : zinc diecast
 Sealing : nitrile (NBR)
 Internal parts : acetal (POM), light alloy, zinc diecast
 Multifunction pilot by selector seal (see page P570-36)
 Without or with manual testers checking the spool position

1 = Pressure	12 = Return
2-4 = Outlets	14 = Pilot
3-5 = Exhausts	

D

CHOICE OF EQUIPMENT

	FUNCTIONS	Pressure of pilot fluid (in bar)		CODES		
		min.	max.	WITHOUT manual tester	WITH manual testers	
5/2		Pilot (14) Return (12)	2,5	12	54400001	54400059
		Pilot (14) Return (12)	2	12	54400002	54400032
		Pilot (14) Return (12)	1,5	12	54400003	54400060
5/3		Pressure held W1 Air operated	2,5	12	54400007	54400034
		Pressure release W3 Air operated	2,5	12	54400008	54400035

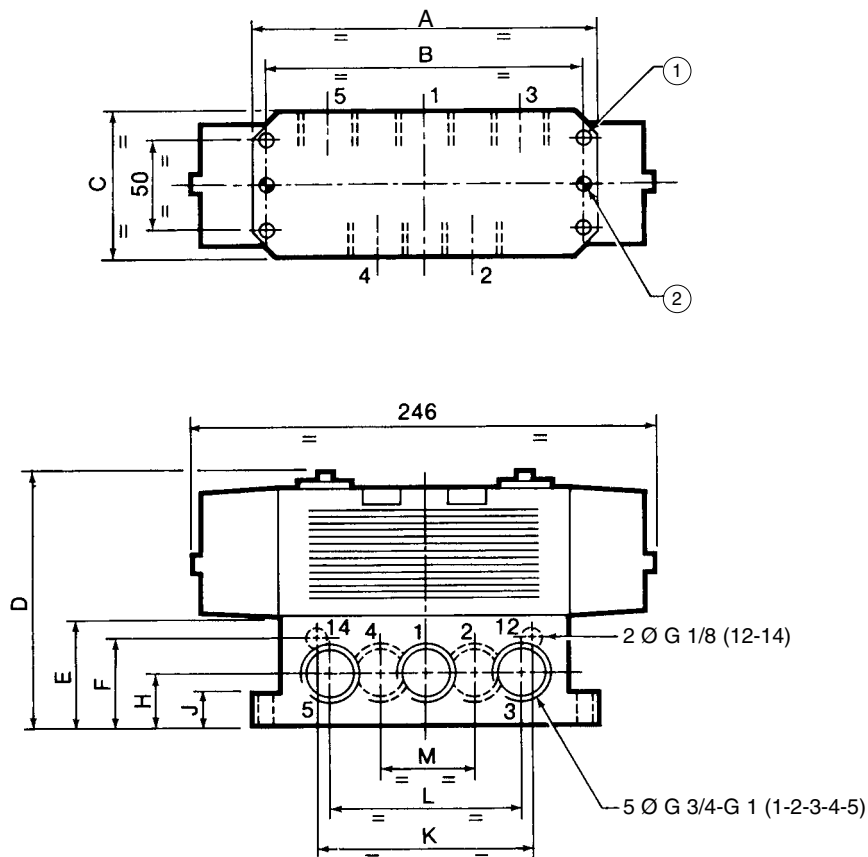
SUBBASES

Type of subbases	CODES subbases	Port orifices		
		12-14	1-2-4	3-5
Single with side port	35500144	G 1/8	G 3/4	G 3/4
	35500082	G 1/8	G 1	G 1

DIMENSIONS AND WEIGHTS

ISO size 4

VALVE ON **SINGLE** SUBBASE
WITH SIDE PORT



- ① Subbase mounting G 1 : 4 holes \varnothing 7
- ② Subbase mounting G 3/4 : 2 holes \varnothing 9

Subbases CODES	Port orifices			DIMENSIONS (mm)											Weights (kg)
	12-14	1-2-4	3-5	A	B	C	D	E	F	H	J	K	L	M	
35500144	G 1/8	G 3/4	G 3/4	195	177	85,5	120	42	32	22	19	116	88	40	4,600
35500082	G 1/8	G 1	G 1	186	172	80	138	60	47	30	18	116	106	50	4,700