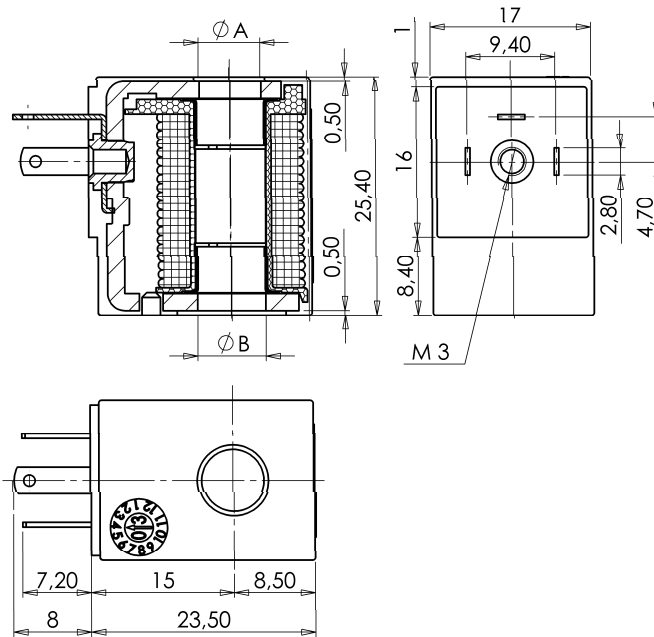


# Z031

## COIL

### Spade terminals (DIN 46340)



#### ► GENERAL FEATURES

Complying with 2014/35/EU directive.  
Product in accordance with the RoHS 2.  
100% inspected.

#### ► ELECTRIC CONNECTIONS

Spade terminals 2,8 x 0,5 (DIN46340), 2 line + 1 earth terminals.  
3 poles micro plug connector.

#### ► ENCAPSULATION MATERIALS

PA (Polyamide) fiberglass reinforced; black colour



#### ► TECHNICAL FEATURES

|                            |  |
|----------------------------|--|
| <i>Continuous duty</i>     | ED 100% (see notes)  |
| <i>Insulation class</i>    | F (155°C)  |
| <i>Ambient temperature</i> | -10°C +60°C  |
| <i>Protection degree</i>   | IP 65 (EN 60529) with plug connector                                 |
| <i>Voltages DC</i>         | 12-24V (+10% -5%)  |
| <i>AC</i>                  | 24V/50Hz (+10% -15%)<br>(Other voltages and frequencies on request). |

| TYPE  | POWER ABSORPTION |         |        | HOLES |     | NOTES | WEIGHT (kg) |
|-------|------------------|---------|--------|-------|-----|-------|-------------|
|       | AC (VA)          |         | DC (W) | ØA    | ØB  |       |             |
|       | Inrush           | Holding |        |       |     |       |             |
| Z031A | 6                | 5       | 4      | 6,5   | 7,2 | -     | 0,030       |
| Z031B | -                | -       | 1      |       |     |       |             |
| Z031C | 4                | 3       | 2,5    |       |     |       |             |
| Z031F | -                | -       | 6      |       |     |       |             |
| Z031H | -                | -       | 8      |       |     |       |             |
| Z031L | -                | -       | 0,5    |       |     |       |             |

#### ► NOTES

1 - Coil for discontinuous duty, ED according to use