

# Compressed air maintenance unit, series AS2-Inch

Active carbon filter AS2-FLA, 1/4 NPT - 3/8 NPT, ATEX approved



## Technical Data

Type	Filter element replaceable												
Supply pressure	See table												
Temperature range	-10 °C to +50 °C (14 °F to +122 °F) *												
Medium	Compressed air												
Weight	See table												
Installation position	vertical												
Materials	<table border="0"> <tr> <td>Body</td> <td>Polyamide, seals Buna-N(NBR)</td> </tr> <tr> <td>Thread insert</td> <td>Die-cast zinc</td> </tr> <tr> <td>Reservoir</td> <td>Polycarbonate or die cast zinc, with bayonet catch</td> </tr> <tr> <td>Bowl guard</td> <td>Polyamide (polycarbonate bowls only)</td> </tr> <tr> <td>Filter element</td> <td>Active carbon</td> </tr> <tr> <td>Cover</td> <td>ABS</td> </tr> </table>	Body	Polyamide, seals Buna-N(NBR)	Thread insert	Die-cast zinc	Reservoir	Polycarbonate or die cast zinc, with bayonet catch	Bowl guard	Polyamide (polycarbonate bowls only)	Filter element	Active carbon	Cover	ABS
Body	Polyamide, seals Buna-N(NBR)												
Thread insert	Die-cast zinc												
Reservoir	Polycarbonate or die cast zinc, with bayonet catch												
Bowl guard	Polyamide (polycarbonate bowls only)												
Filter element	Active carbon												
Cover	ABS												
Reservoir capacity	12 cm <sup>3</sup> (0.4 U.S. Fl. Oz.)												
ATEX:	<table border="0"> <tr> <td>In zone 1 (gas-ex, category 2G)</td> </tr> <tr> <td>In zone 21 (dust-ex, category 2D)</td> </tr> <tr> <td>In zone 2 (gas-ex, category 3G)</td> </tr> <tr> <td>In zone 22 (dust-ex, category 3D)</td> </tr> </table>	In zone 1 (gas-ex, category 2G)	In zone 21 (dust-ex, category 2D)	In zone 2 (gas-ex, category 3G)	In zone 22 (dust-ex, category 3D)								
In zone 1 (gas-ex, category 2G)													
In zone 21 (dust-ex, category 2D)													
In zone 2 (gas-ex, category 3G)													
In zone 22 (dust-ex, category 3D)													



\* with dried air

Active carbon filter for absorption of oil vapor in compressed air and gases  
For quality classes according to DIN ISO 8573-1

- Solid impurities: class 3
- Humidity - water content: class 8
- Oil content: class 1

Oil separation, residual oil content < 0.005 mg/m<sup>3</sup> at t = 68 °F (+20 °C) and p<sub>1</sub> = 101 psi

A micro filter must be connected upstream as a prefilter

## Part no.

Symbol	Threaded ports	Nominal flow q <sub>n</sub> [CFM]	Supply pressure [psi]	Weight [lbs]	Part no. (Poly./Metal)
	1/4 NPT	23	0 ... 232	0.49	R432000546/R432000549
	3/8 NPT	24	0 ... 232	0.49	R432000550/R432000551

### Q = q<sub>n</sub> x f (f = Correction factor for various supply pressures p<sub>1</sub>)

p <sub>1</sub> [psi]	14	29	43	58	72	87	101	116	130	145	159	174	188	203	217	232
f	0.25	0.38	0.5	0.65	0.75	0.88	1	1.13	1.25	1.38	1.5	1.65	1.75	1.88	2	2.13

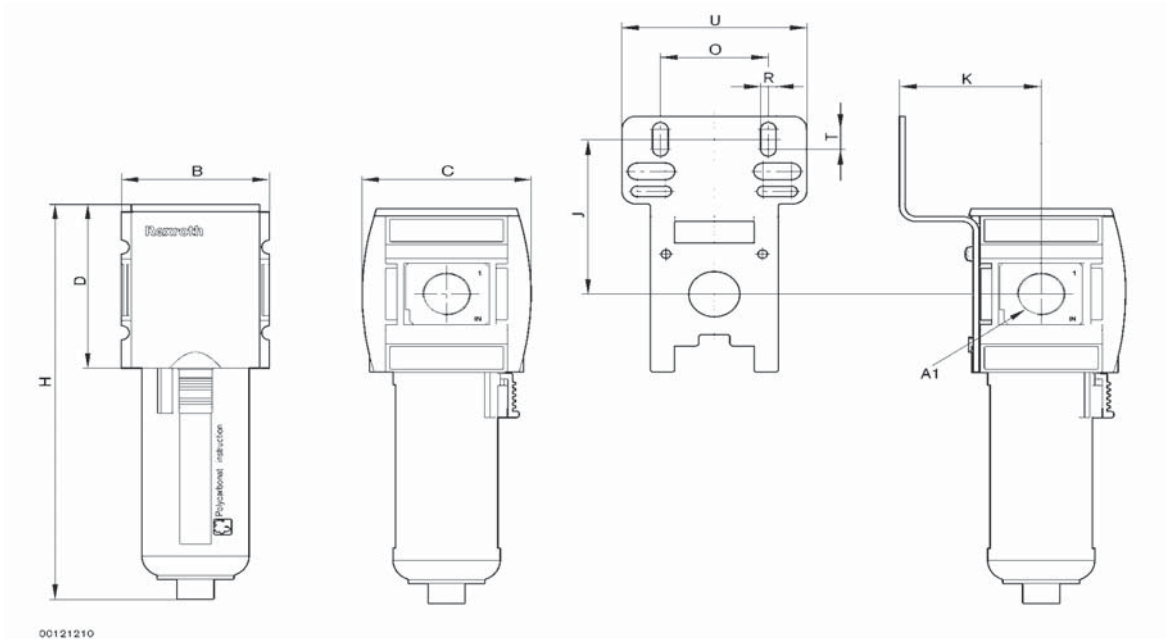
Nominal flow at inlet pressure 91 psi and 1.5 psi drop (P<sub>1</sub> = 6.3 bar, ΔP = 0.1 bar)

## Accessories (to be ordered separately)

Accessory	Part no.	
	Active carbon filter reservoir AS2-CLA, metal (no glass)	R412006349
	Active carbon filter reservoir AS2-CLA, polycarbonate	R412006347
	Active carbon filter element	1829207044
	Mounting plate AS2-MBR-...-W01	R432031071
	Mounting strap AS2-MBR-...-W03	R412006370
Block assembly kit AS2-MBR-...-W04	R412006371	

# Compressed air maintenance unit, series AS2-Inch

Active carbon filter AS2-FLA, 1/4 NPT - 3/8 NPT, ATEX approved



(mounting bracket not included, order separately)

A1	B	C	D	H	J	K	O	R	T	U
1/4 NPT	2.047	2.323	2.559	6.181	2.433	1.949	1.496	0.213	0.394	2.559
3/8 NPT	2.047	2.323	2.559	6.181	2.433	1.949	1.496	0.213	0.394	2.559

Dimensions in inches

Pneutrol International Limited  
 UK Office  
 5 Caulside Drive, Antrim, BT41 2DU  
 United Kingdom  
 TEL: +44 (0) 289448 1808  
 www.valves-direct.com

sales@pneutrol.com  
 European Office  
 Unit 6, Saint Anthony's Business Park, Ballymount Road, D22 VW95  
 Ireland  
 TEL: +353 (0) 1 4373653  
 www.valves-direct.com