

Preparation of compressed air → Supplementary products

Active carbon filter, Series AS3-FLA

► 3/8 NPTF - 1/2 NPTF ► suitable for ATEX



ATEX	II 2G2D T4 X
Version	Active carbon filter, Can be assembled into blocks
Mounting orientation	vertical
Working pressure min./max.	0 bar / 16 bar
Medium	Compressed air
Medium temperature min./max.	-10 °C / +50 °C
Ambient temperature min./max.	-10 °C / +50 °C
Filter reservoir volume	49 cm ³
Filter element	exchangeable
Condensate drain	without
Materials:	
Housing	Polyamide
Front plate	Acrylonitrile butadiene styrene
Seals	Acrylonitrile Butadiene Rubber
Threaded bushing	Die cast zinc
Filter insert	Active carbon

Technical Remarks

- The pressure dew point must be at least 15 °C under ambient and medium temperature and may not exceed 3 °C.
- These pneumatic components with NPTF or inch thread dimensions are only available from our US sales organization
- Recommended pre-filtering: 0.01 μm
- max. residual oil content at the outlet: 0.005 mg/m³

	Port	Qn [l/min]	Reservoir	Protective guard	Weight [kg]	Part No.
	3/8 NPTF	1000	Polycarbonate	Polyamide	0.375	R432001930
	3/8 NPTF		Die cast zinc with window	-	0.751	R432002063
	1/2 NPTF		Polycarbonate	Polyamide	0.375	R432001931
	1/2 NPTF		Die cast zinc with window	-	0.73	R432002065

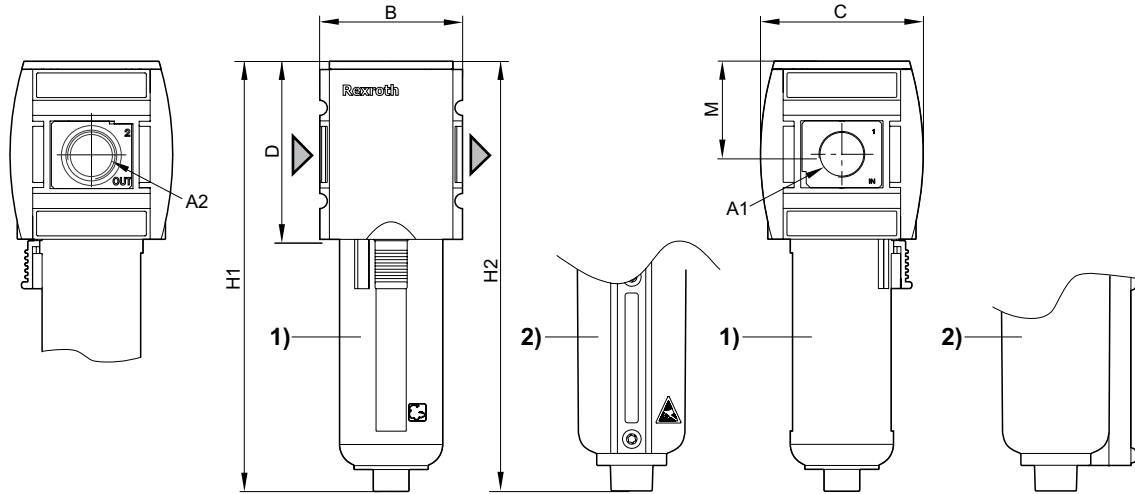
Nominal flow Qn at 6.3 bar and Δp = 0.1 bar

Preparation of compressed air → Supplementary products

Active carbon filter, Series AS3-FLA

▶ 3/8 NPTF - 1/2 NPTF ▶ suitable for ATEX

Dimensions in inches



00123327

- 1) Plastic reservoir and protective guard with window
 2) Metal reservoir with inspection glass

Dimensions in inches

Part No.	A1	A2	B	C	D	H1	H2	M				
R432001930	3/8 NPTF	3/8 NPT	2.48	2.91	3.15	7.2	7.36	1.67				
R432002063	3/8 NPTF	3/8 NPT	2.48	2.91	3.15	7.2	7.36	1.67				
R432001931	1/2 NPTF	1/2 NPT	2.48	2.91	3.15	7.2	7.36	1.67				
R432002065	1/2 NPTF	1/2 NPT	2.48	2.91	3.15	7.2	7.36	1.67				