

Clevis mountings



Pneutrol International Limited
UK Office
5 Caulside Drive, Antrim, BT41 2DU
United Kingdom
TEL: +44 (0) 289448 1808
www.valves-direct.com

sales@pneutrol.com
European Office
Unit 6, Saint Anthony's Business Park, Ballymount Road, D22 VW95
Ireland
TEL: +353 (0) 1 4373653
www.valves-direct.com

AVENTICS™ Clevis mountings



Clevis mounting AB3, Series CM1

- Suitable piston Ø 8, 10 12, 16 20, 25 32 mm



The delivered product may vary from that in the illustration.

Technical data

Part No.	Piston Ø	Swivel bearing Ø	Housing material	Surface	Fig.
1827001447	8, 10 mm	4 mm	Steel	galvanized	Fig. 1
1827001446	12, 16 mm	6 mm	Steel	galvanized	Fig. 1
1827001445	20, 25 mm	8 mm	Steel	galvanized	Fig. 1
3323410000	8, 10 mm	4 mm	Stainless steel	-	Fig. 1
3323416000	12, 16 mm	6 mm	Stainless steel	-	Fig. 2
3323420000	20, 25 mm	8 mm	Stainless steel	-	Fig. 2
3323432000	32 mm	10 mm	Stainless steel	-	Fig. 1

Scope of delivery: clevis mounting incl. pivot pins

Technical information

Material	
Material	Steel Stainless steel
	galvanized

Dimensions

Fig. 1

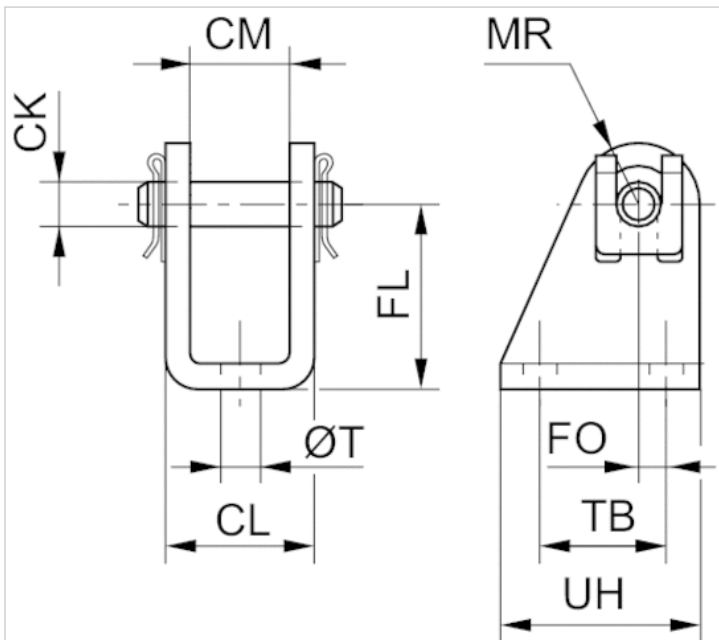
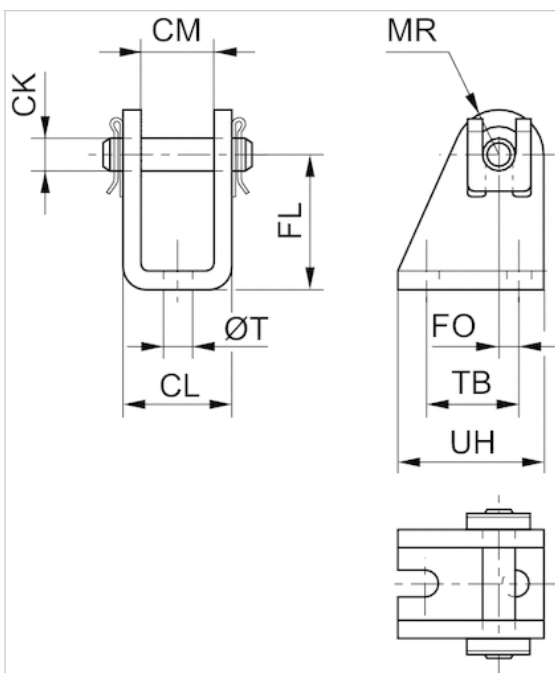


Fig. 2



Dimensions

Part No.	Piston Ø	Fig.	CM	Ø CK	CL	FL	FO	MR	Ø T	TB	UH
1827001447	8, 10 mm	Fig. 1	8,1	4	13,1	24	1,5	5	4,5	12,5	20
1827001446	12, 16 mm	Fig. 1	12,1	6	18,1	27	2,0	7	5,5	15	25
1827001445	20, 25 mm	Fig. 1	16,1	8	24,1	30	4,0	10	6,6	20	32
3323410000	8, 10 mm	Fig. 1	8	4	13	24	1,5	5	4.5	12	20
3323416000	12, 16 mm	Fig. 2	12	6	18	27	2,0	7	5.5	15	25
3323420000	20, 25 mm	Fig. 2	16	8	24	30	4,0	10	6.6	22	34

Part No.	Piston Ø	Fig.	CM	Ø CK	CL	FL	FO	MR	Ø T	TB	UH
3323432000	32 mm	Fig. 1	26	10	36	32	6,0	12	6.6	24	36

Clevis mounting AB3, Series CM1

- Suitable piston Ø 32 40 50 63 mm

- for series RPC



Technical data

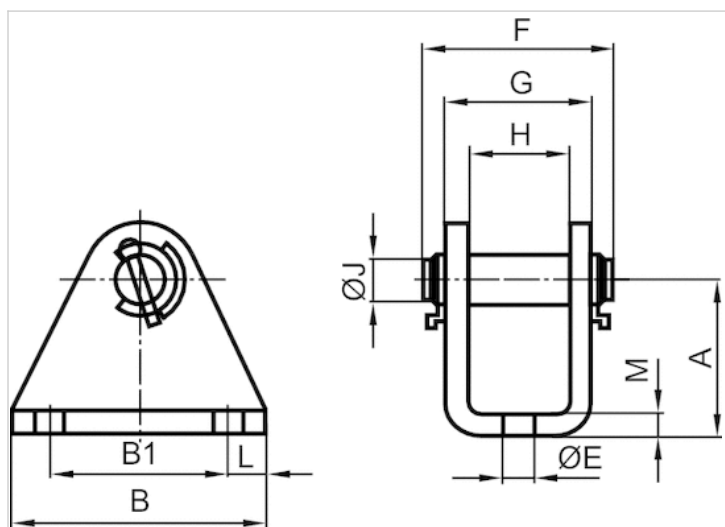
Part No.	Piston Ø
5217103402	32 mm
5217113402	40 mm
5217123402	50 mm
5217133402	63 mm

Scope of delivery: clevis mounting incl. pivot pins

Technical information

Material	
Material	Steel

Dimensions



Dimensions

Part No.	A	B	B1	Ø E	F	G	H	Ø J	L	M
5217103402	35	55	35	9	55	35.1	25.1	10	10	5
5217113402	40	55	35	9	65	40.1	30.1	12	10	5
5217123402	50	55	35	11	75	51.1	35.1	12	10	8
5217133402	60	65	45	11	75	51.1	35.1	16	10	8

Clevis mounting AB6, Series CM1

- Cylinder mounting in accordance with ISO 15552

- Suitable piston Ø 32 40 50 63 80 100 125 160 200 250 320 mm



Standards

ISO 15552

Technical data

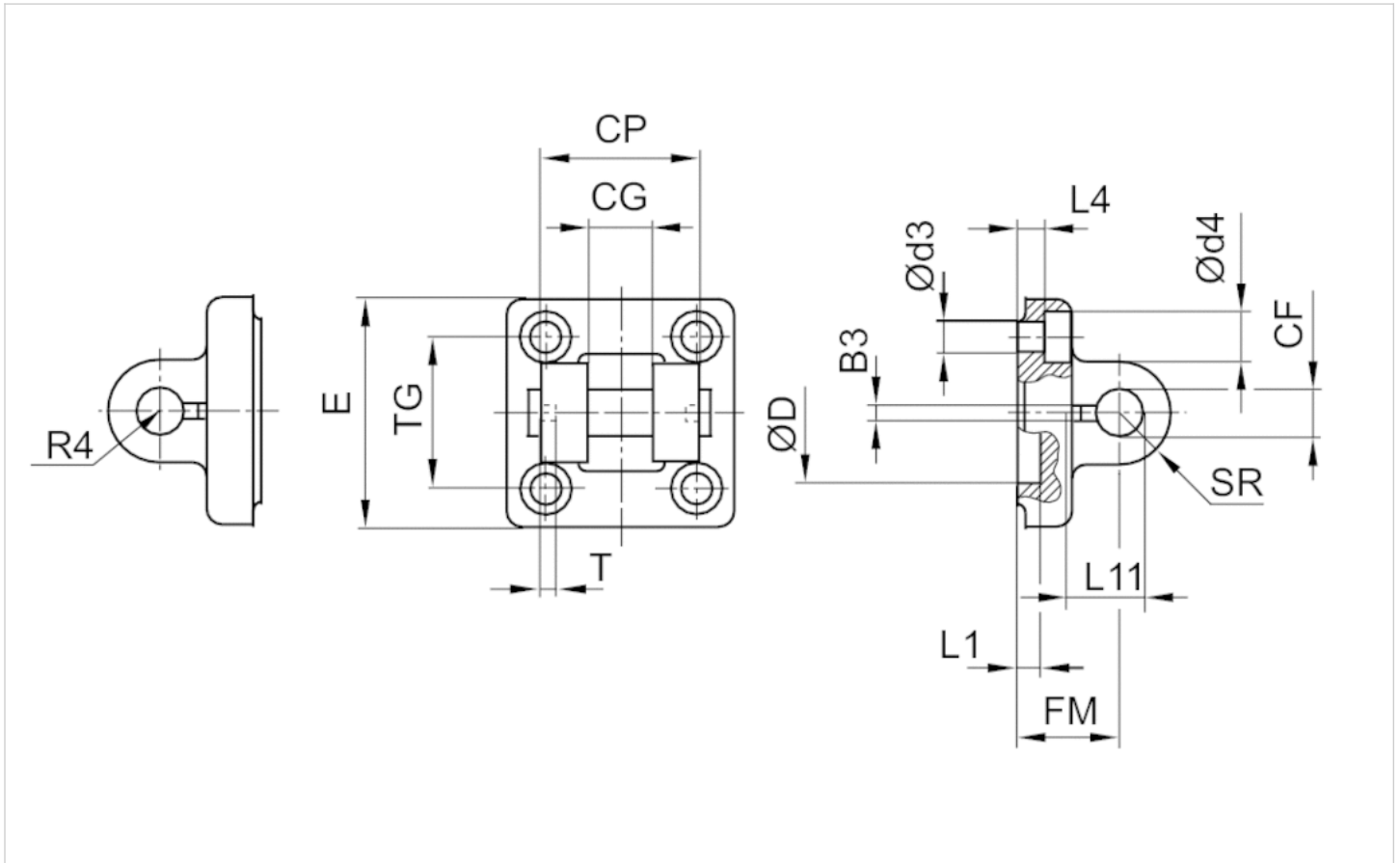
Part No.	Piston Ø	Swivel bearing Ø	Housing material	Surface
1827001593	32 mm	10 mm	Aluminum (forged)	-
1827001594	40 mm	12 mm	Aluminum (forged)	-
1827001595	50 mm	16 mm	Aluminum (forged)	-
1827002024	63 mm	16 mm	Aluminum (forged)	-
1827001597	80 mm	20 mm	Aluminum (forged)	-
1827001598	100 mm	20 mm	Aluminum (forged)	-
1827001599	125 mm	30 mm	Aluminum (forged)	-
1827001600	160 mm	35 mm	Nodular graphite iron	galvanized
1827001601	200 mm	35 mm	Nodular graphite iron	galvanized
1827001602	250 mm	40 mm	Nodular graphite iron	galvanized
5239013432	320 mm	50 mm	Nodular graphite iron	galvanized

Scope of delivery: clevis mounting incl. pivot pins and mounting screws

Technical information

Material	
Material	Aluminum (forged) Nodular graphite iron galvanized
Screws	Steel galvanized

Dimensions



Dimensions

Part No.	Piston Ø	B3 ±0,2	Ø CF F7	CG D10	CP d12	Ø d3	Ø d4	Ø D	E	FM ±0,2
1827001593	32 mm	3.3	10	14	34	6.6	11	30	49	22
1827001594	40 mm	4.3	12	16	40	6.6	11	35	55	25
1827001595	50 mm	4.3	16	21	45	9	15	40	67	27
1827002024	63 mm	4.3	16	21	51	9	15	45	77	32
1827001597	80 mm	4.3	20	25	65	11	18	45	97	36
1827001598	100 mm	4.3	20	25	75	11	18	55	117	41
1827001599	125 mm	6.3	30	37	97	14	20	60	140	50
1827001600	160 mm	6.3	35	43	122	18	26	65	180	55
1827001601	200 mm	6.3	35	43	122	18	26	75	220	60
1827001602	250 mm	8.3	40	49	125	22	33	90	280	70
5239013432	320 mm	8.3	50	60	150	26	36	110	340	80

L1 min.	L4 ±0,5	L11 -0,5	R4	SR	T ±0,2	TG
4.5	5.5	16.5	17	11	3	32,5 ±0,2
4.5	5.5	18	20	12	4	38 ±0,2
4.5	6.5	23	22	15	4	46,5 ±0,2
4.5	6.5	23	25	15	4	56,5 ±0,2
4.5	10	27	30	20	4	72 ±0,2
4.5	10	27	32	20	4	89 ±0,2

L1 min.	L4 ±0,5	L11 -0,5	R4	SR	T ±0,2	TG
7	10	40	42	26	6	110 ±0,3
10	10	45	46	32.5	6	140 ±0,3
10	11	45	49	32.5	6	175 ±0,3
12	11	53	55	40	8	220 ±0,3
11	15	69	65	50	8	270 ±0,3

Clevis mounting MP2-HD, Series CM1

- Suitable for robust mechanical engineering applications
- Cylinder mounting in accordance with ISO 15552
- Suitable piston Ø 32 40 50 63 80 100 125 160 200 250 320 mm



Standards

ISO 15552

Technical data

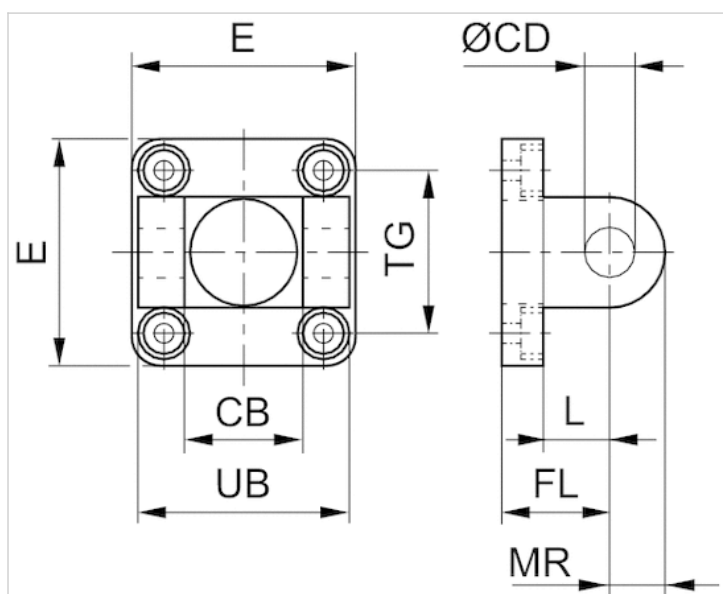
Part No.	Piston Ø	Swivel bearing Ø	Housing material	Surface
1827001289	32 mm	10 mm	Aluminum (forged)	-
1827001290	40 mm	12 mm	Aluminum (forged)	-
1827001291	50 mm	12 mm	Aluminum (forged)	-
1827001500	63 mm	16 mm	Aluminum (forged)	-
1827001293	80 mm	16 mm	Aluminum (forged)	-
1827001294	100 mm	20 mm	Aluminum (forged)	-
1827004862	125 mm	25 mm	Aluminum (forged)	-
1827004863	160 mm	30 mm	Nodular graphite iron	galvanized
1827004864	200 mm	30 mm	Nodular graphite iron	galvanized
1827004865	250 mm	40 mm	Nodular graphite iron	galvanized
5239813402	320 mm	45 mm	Nodular graphite iron	galvanized

Scope of delivery: clevis mounting incl. mounting screws

Technical information

Material	
Material	Aluminum (forged) Nodular graphite iron
	galvanized
Screws	Steel
	galvanized

Dimensions



Dimensions

Part No.	Piston Ø	CB H14	Ø CD H9	E	FL ±0.2	L min.	MR max.	UB h13	TG
1827001289	32 mm	26	10	47.5	22	12	10	45	32.5 ±0.2
1827001290	40 mm	28	12	53.5	25	15	13	52	38 ±0.2
1827001291	50 mm	32	12	64	27	15	13	60	46.5 ±0.2
1827001500	63 mm	40	16	74	32	18	17	70	56.5 ±0.2
1827001293	80 mm	50	16	94	36	20	17	90	72.0 ±0.2
1827001294	100 mm	60	20	113.5	41	25	18	110	89.0 ±0.2
1827004862	125 mm	70	25	138	50	30	26	130	110 ±0.3
1827004863	160 mm	90	30	180	55	35	31	170	140 ±0.3
1827004864	200 mm	90	30	220	60	35	31	170	175 ±0.3
1827004865	250 mm	110	40	280	70	45	41	200	220 ±0.3
5239813402	320 mm	120	45	350	80	50	45	220	270 ±0.3

Clevis mounting MP2-BV, Series CM1

- Cylinder mounting in accordance with ISO 15552

- Suitable piston Ø 32 40 50 63 80 100 mm



Standards

ISO 15552

Technical data

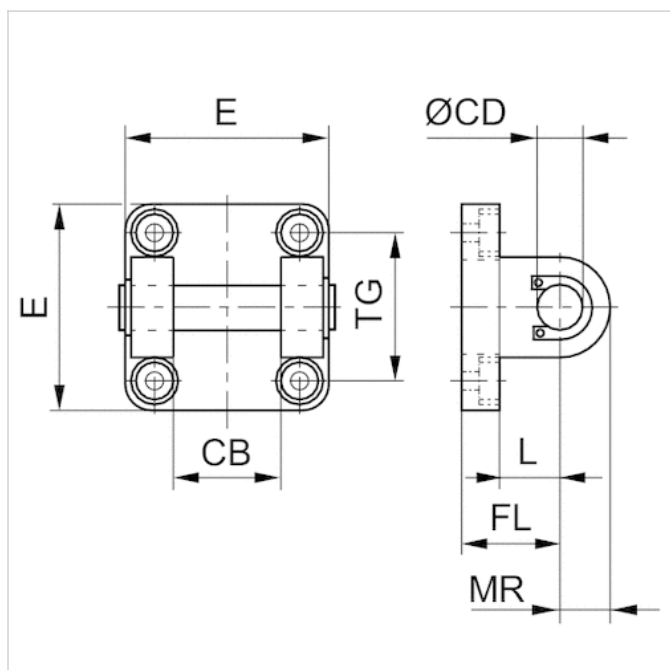
Part No.	Piston Ø	Swivel bearing Ø
R412027402	32 mm	10 mm
R412027403	40 mm	12 mm
R412027404	50 mm	12 mm
R412027405	63 mm	16 mm
R412027406	80 mm	16 mm
R412027407	100 mm	20 mm

Scope of delivery: clevis mounting incl. pivot pins and mounting screws

Technical information

Material	
Material	Die-cast aluminum
Screws	Steel galvanized

Dimensions



Dimensions

Part No.	Piston Ø	CB H14	Ø CD H9	E	FL ±0.2	L min.	MR max.	TG
R412027402	32 mm	26	10	45	22	13	10	32.5
R412027403	40 mm	28	12	52	25	16	13	38
R412027404	50 mm	32	12	65	27	16	12	46.5
R412027405	63 mm	40	16	75	32	21	16	56.5
R412027406	80 mm	50	16	98	36	22	16	72
R412027407	100 mm	60	20	115	41	27	20	89

Clevis mounting MP2, Series CM1

- corrosion-resistant
- Cylinder mounting in accordance with ISO 15552
- Suitable piston Ø 32 40 50 63 80 100 125 mm



Standards

ISO 15552

Weight

See table below

Technical data

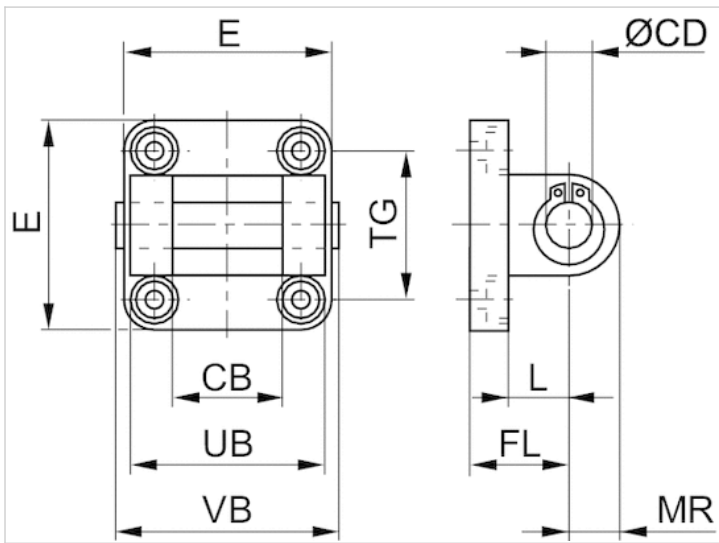
Part No.	Piston Ø	Swivel bearing Ø	Weight
3682903590	32 mm	10 mm	0.107 kg
3682904590	40 mm	12 mm	0.157 kg
3682905590	50 mm	12 mm	0.232 kg
3682906590	63 mm	16 mm	0.345 kg
3682908590	80 mm	16 mm	0.574 kg
3682910590	100 mm	20 mm	0.88 kg
R412025571	125 mm	20 mm	1.72 kg

Scope of delivery: clevis mounting incl. pivot pins and mounting screws

Technical information

Material	
Material	Aluminum (forged)
	anodized
Screws	Stainless steel
Bearing	Plastic

Dimensions



Dimensions

Part No.	CB H14	Ø CD H9	E max.	FL	L min.	MR	UB h14	VB	TG
3682903590	26	10	47	22 ±0,2	12	10	45	50	32,5 ±0,2
3682904590	28	12	54	25 ±0,2	15	12	52	57	38,0 ±0,2
3682905590	32	12	65	27 ±0,2	15	12	60	65	46,5 ±0,2
3682906590	40	16	75	32 ±0,2	20	15	70	76	56,5 ±0,2
3682908590	50	16	94	36 ±0,2	20	17	90	96	72,0 ±0,2
3682910590	60	20	112	41 ±0,2	25	21	110	117	89,0 ±0,2
R412025571	70	25	138	50	30	26	130	140	110,0 ±0,3

Clevis mounting MP2, Series CM1

- Suitable piston Ø 32 40 50 63 80 100 mm

- for series KPZ



Technical data

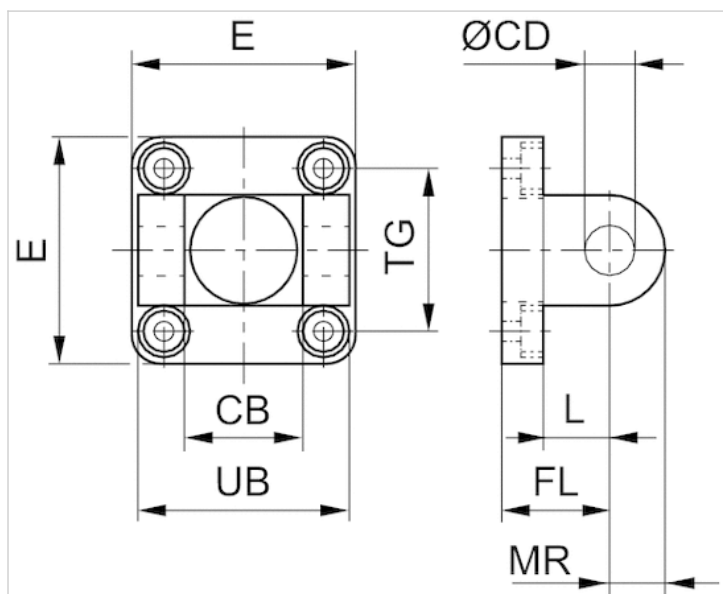
Part No.	Piston Ø	Swivel bearing Ø
1827002302	32 mm	10 mm
1827002303	40 mm	12 mm
1827002304	50 mm	12 mm
1827002305	63 mm	16 mm
1827002306	80 mm	16 mm
1827002307	100 mm	20 mm

Scope of delivery: clevis mounting incl. mounting screws

Technical information

Material	
Material	Steel
	galvanized
Screws	Steel
	galvanized

Dimensions



Dimensions

Part No.	Piston Ø	CB H14	Ø CD H9	E	FL ±0.2	L min.	MR max.	UB h13	TG
1827002302	32 mm	26	10	48	22	13	10	45	32 ±0.5
1827002303	40 mm	28	12	58	25	16	12.5	52	42 ±0.5
1827002304	50 mm	32	12	66	27	16	12.5	60	50 ±0.6
1827002305	63 mm	40	16	83	32	21	15	70	62 ±0.6
1827002306	80 mm	50	16	102	36	23	15	90	82 ±0.7
1827002307	100 mm	60	20	123	41	26	20	110	103 ±0.7

Clevis mounting MP2, Series CM1

- for rear eye MP9 with rubber bushing
- Suitable piston Ø 25 32 40 50 63 80 100 mm
- for series 167



Technical data

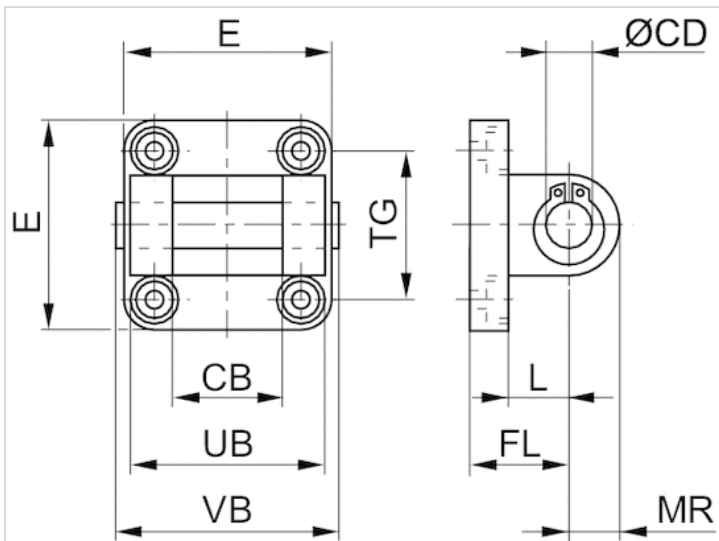
Part No.	Piston Ø	Swivel bearing Ø	Housing material
3682902590	25 mm	10 mm	Aluminum (anodized)
3672903000	32 mm	10 mm	Aluminum (forged and anodized)
3672904000	40 mm	12 mm	Aluminum (forged and anodized)
3672905000	50 mm	12 mm	Aluminum (forged and anodized)
3672906000	63 mm	16 mm	Aluminum (forged and anodized)
3672908000	80 mm	16 mm	Aluminum (forged and anodized)
3672910000	100 mm	20 mm	Aluminum (forged and anodized)

Scope of delivery: clevis mounting incl. pivot pins and mounting screws

Technical information

Material	
Material	Aluminum (anodized) Aluminum (forged and anodized)
Screws	Stainless steel
Mounting bolts	Stainless steel

Dimensions



Dimensions

Part No.	CB H14	Ø CD H9	E max.	FL	L min.	MR	UB h14	VB
3682902590	18	10	40	20	14	9	36	42,5
3672903000	26	10	47,5	22	12	11	45	64
3672904000	28	12	53,5	25	15	13	52	71
3672905000	32	12	64	27	15	13	60	79
3672906000	40	16	74	32	18	17	70	93
3672908000	50	16	95	36	20	17	90	113
3672910000	60	20	113,5	41	25	21	110	133

TG *contains elongated hole	
	27*
	32
	40*
	46
	59*
	73
	90*

Efficient pneumatic solutions, our program:
cylinders and drives, valves and valve systems,
air supply management

Pneutrol International Limited
UK Office
5 Caulside Drive, Antrim, BT41 2DU
United Kingdom
TEL: +44 (0) 289448 1808
www.valves-direct.com

sales@pneutrol.com
European Office
Unit 6, Saint Anthony's Business Park, Ballymount Road, D22 VW95
Ireland
TEL: +353 (0) 1 4373653
www.valves-direct.com



CONSIDER IT SOLVED™