

Preparation of compressed air → Supplementary products

**Filling unit, electrically operated, Series AS5-SSU**

► 3/4 NPT - 1 NPT ► pipe connection ► ATEX optional



Parts	3/2-way valve, electrically operated, Filling valve
Version	Poppet valve, Can be assembled into blocks
Working pressure min./max.	2.5 bar / 10 bar
Medium	Compressed air
Medium temperature min./max.	-10 °C / +50 °C
Ambient temperature min./max.	-10 °C / +50 °C
Pilot	internal
Sealing principle	soft sealing
Max. particle size	25 µm
Degree of protection, with Plug	IP 65
Duty cycle	100 %
<b>Materials:</b>	
Housing	Polyamide
Front plate	Acrylonitrile butadiene styrene
Seals	Acrylonitrile Butadiene Rubber
Threaded bushing	Die cast zinc

**Technical Remarks**

- The pressure dew point must be at least 15 °C under ambient and medium temperature and may not exceed 3 °C.
- Builds up pressure slowly in the pneumatic systems, i.e. prevents a sudden pressure build-up during a restart after a mains pressure failure or avoids emergency OFF switching. This also avoids dangerous, jerky cylinder movements.
- ATEX optional: The ATEX ID depends on the selected pilot valve.
- These pneumatic components with NPTF or inch thread dimensions are only available from our US sales organization

Operating voltage			Power consumption	Switch-on power		Holding power	
DC	AC 50 Hz	AC 60 Hz	DC	AC 50 Hz	AC 60 Hz	AC 50 Hz	AC 60 Hz
			W	VA	VA	VA	VA
24 V	-	-	2	-	-	-	-
-	110 V	110 V	-	2.2	1.6	1.6	1.4
-	220 V	230 V	-	2.2	1.6	1.6	1.4

	Port	Ex-haust	Operating voltage			Qn			Weight	Fig.	Part No.
			DC	AC 50 Hz	AC 60 Hz	1►2	2►3				
						[l/min]		[kg]			
	3/4 NPT	3/8 NPT	24 V	-	-	8750	8750	3700	0.924	Fig. 3	R432002897
	3/4 NPT		-	110 V	230 V						R432002898
	3/4 NPT		-	220 V	230 V						R432002899
	1 NPT		-	-	-						R432002903
	1 NPT		-	110 V	110 V						R432002904
1 NPT	-	220 V	230 V	R432002905							
	3/4 NPT	3/8 NPT	-	-	-	8750	8750	3700	0.895	Fig. 2	R432002901
	1 NPT		-	-	-				0.895	Fig. 2	R432002907
	3/4 NPT		-	-	-				0.889	Fig. 1	R432002902
1 NPT	-	-	-	-	0.889	Fig. 1	R432002908				

Supplementary products

Part numbers marked in bold are available from the central warehouse in Germany, see the shopping basket for more detailed information Pneumatics catalog, online PDF, as of 2013-02-22, © Bosch Rexroth AG, subject to change

## Preparation of compressed air → Supplementary products

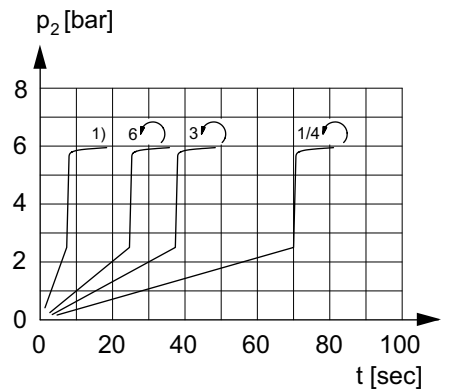
## Filling unit, electrically operated, Series AS5-SSU

▶ 3/4 NPT - 1 NPT ▶ pipe connection ▶ ATEX optional

Part No.	Note
R432002897	2)
R432002898	2)
R432002899	2)
R432002903	2); 5)
R432002904	2); 5)
R432002905	2); 5)
R432002901	3); 5)
R432002907	3); 5)
R432002902	4)
R432002908	4)

1) With adjustment screw lock  
 2) Basic valve with pilot valve  
 3) Basic valve without pilot valve, with CNOMO subbase  
 4) Basic valve without pilot valve  
 5) ATEX optional  
 Nominal flow  $Q_n$  at  $p_1 = 6.3$  bar and  $\Delta p = 1$  bar

## Secondary pressure while filling



00107176

adjustable filling

1) Fully opened

 $p_2$  = secondary pressure

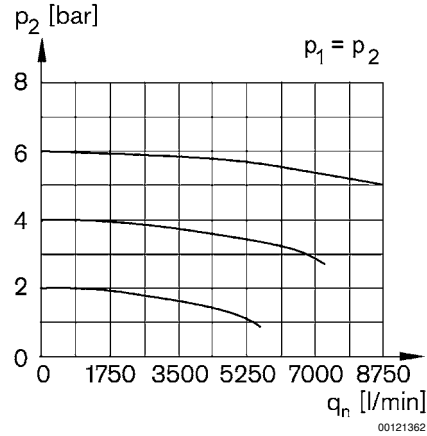
t = fill time

Preparation of compressed air → Supplementary products

**Filling unit, electrically operated, Series AS5-SSU**

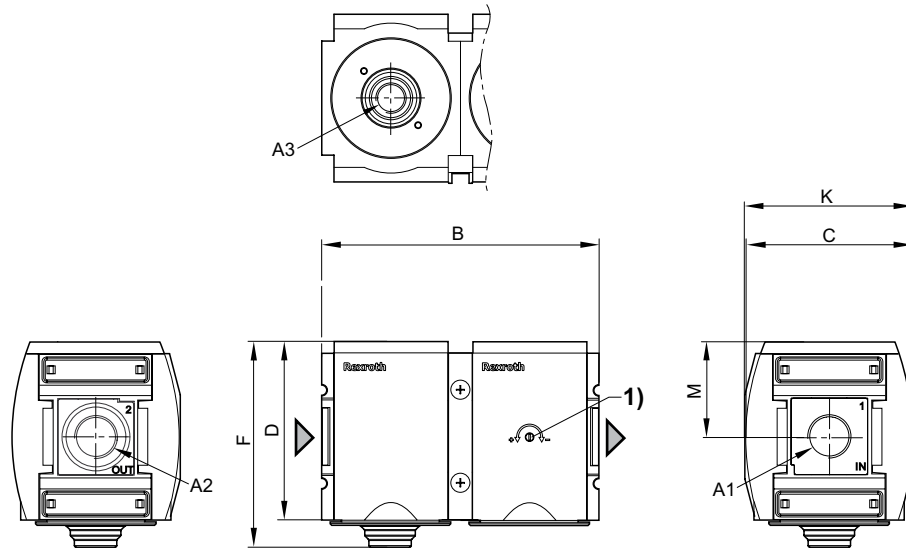
► 3/4 NPT - 1 NPT ► pipe connection ► ATEX optional

**Flow rate characteristic**



p2 = secondary pressure; qn = nominal flow

**Dimensions in inches, Fig. 1: Filling unit without pilot valve with porting configuration for series DO16**



A1 = input  
 A2 = output  
 A3 = ventilation port  
 1) Adjustment screw for filling time

00136388

**Dimensions in inches**

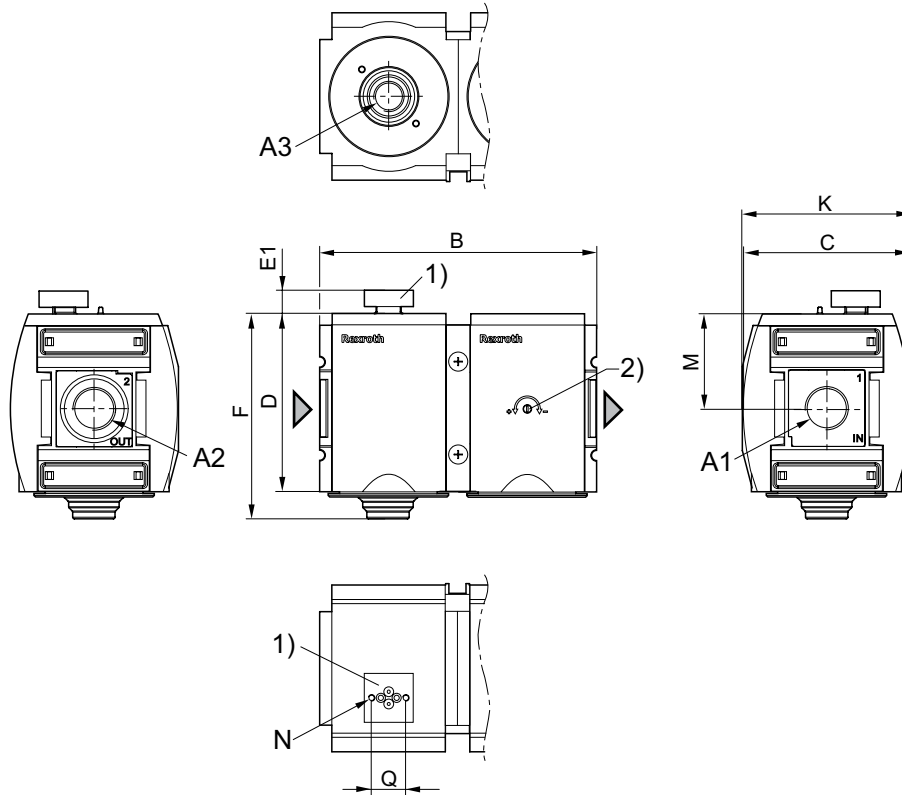
A1	A2	A3	B	C	D	F	K	M					
3/4 NPT	3/4 NPT	3/8 NPT	6.69	4.06	4.29	4.92	4.07	2.28					
1 NPT	1 NPT	3/8 NPT	6.69	4.06	4.29	4.92	4.07	2.28					

## Preparation of compressed air → Supplementary products

## Filling unit, electrically operated, Series AS5-SSU

▶ 3/4 NPT - 1 NPT ▶ pipe connection ▶ ATEX optional

Dimensions in inches, Fig. 2: Filling unit with transition plate for pilot valve series DO30



00130388

A1 = input

A2 = output

A3 = ventilation port

1) Transition plate with CNOMO porting configuration for pilot valve DO30

2) Adjustment screw for filling time

## Dimensions in inches

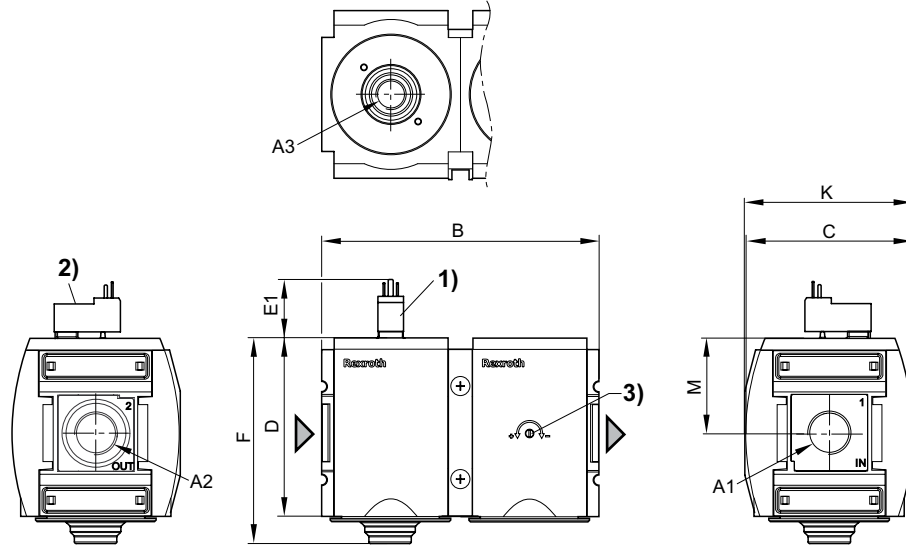
A1	A2	A3	B	C	D	E1	F	K	M	N	Q		
3/4 NPT	3/4 NPT	3/8 NPT	6.69	4.06	4.29	0.56	4.92	4.07	2.28	M4	0.83		
1 NPT	1 NPT	3/8 NPT	6.69	4.06	4.29	0.56	4.92	4.07	2.28	M4	0.83		

Preparation of compressed air → Supplementary products

**Filling unit, electrically operated, Series AS5-SSU**

► 3/4 NPT - 1 NPT ► pipe connection ► ATEX optional

Dimensions in inches, Fig. 3: Filling unit with pilot valve and port for electrical connector



00130383

- A1 = input
- A2 = output
- A3 = ventilation port
- 1) Port for electrical connector according to ISO 15217 (form C)
- 2) Manual override
- 3) Adjustment screw for filling time

**Dimensions in inches**

A1	A2	A3	B	C	D	E1	F	K	M				
3/4 NPT	3/4 NPT	3/8 NPT	6.69	4.06	4.29	0.99	4.92	4.07	2.28				
1 NPT	1 NPT	3/8 NPT	6.69	4.06	4.29	0.99	4.92	4.07	2.28				