

Compressed air maintenance unit, series AS5-Inch

Standard filter AS5-FLS, 5 or 40 micron, 3/4" - 1" NPT

Rexroth
Bosch Group



00119796

Ambient temperature min./max.	-10 °C / +50 °C [14 °F / 122 °F]
Installation orientation	vertical
Version	Replaceable filter element
Filter reservoir volume	87 cm ³ [2.94 fl.oz.]
Medium	compressed air to ISO8573-1:2001
Materials:	
Housing	Polyamide
Threaded bushing	Die-cast zinc
Cover	Acrylonitrile Butadiene Styrene (ABS)
Filter insert	Polyethylene

	Thread connection NPT	Filter (µm)	Oper. press. [psi]	Flow rate [CFM]	Condensate drain	Part No. (Reservoir material)	
						Polycarb.	Metal
	3/4"	5	7 ... 232	275	semi-auto., opened w/o pressure	R432002755	R432003035
	3/4"	5	22 ... 232		fully automatic, open w/o pressure	R432002753	R432003036
	3/4"	5	0 ... 232		fully auto., closed w/o pressure	R432002751	R432003037
	3/4"	40	7 ... 232		semi-auto., opened w/o pressure	R432002756	
	3/4"	40	22 ... 232		fully automatic, open w/o pressure	R432002754	
	3/4"	40	0 ... 232		fully auto., closed w/o pressure	R432002752	
	1"	5	7 ... 232	275	semi-auto., opened w/o pressure	R432002765	R432003038
	1"	5	22 ... 232		fully automatic, open w/o pressure	R432002763	R432003039
	1"	5	0 ... 232		fully auto., closed w/o pressure	R432002761	R432003040
	1"	40	7 ... 232		semi-auto., opened w/o pressure	R432002766	
	1"	40	22 ... 232		fully automatic, open w/o pressure	R432002764	
	1"	40	0 ... 232		fully auto., closed w/o pressure	R432002762	
Part No.		Reservoir		Protective guard		Weight [lbs]	
Polycarb.	Metal						
R432002755	R432003035					1.583/2.773	
R432002753	R432003036					1.695/2.885	
R432002751	R432003037	Polycarbonate/ Die Cast Zinc		Polyamide/ None		1.695/2.885	
R432002756						1.583/ --	
R432002754						1.695/ --	
R432002752						1.695/ --	
R432002765	R432003038					1.583/2.773	
R432002763	R432003039					1.695/2.885	
R432002761	R432003040	Polycarbonate/ Die Cast Zinc		Polyamide/ None		1.695/2.885	
R432002766						1.583/ --	
R432002764						1.695/ --	
R432002762						1.695/ --	

Nominal flow Qn at 6.3 bar [91 psi] and Δp = 1 bar [15 psi]

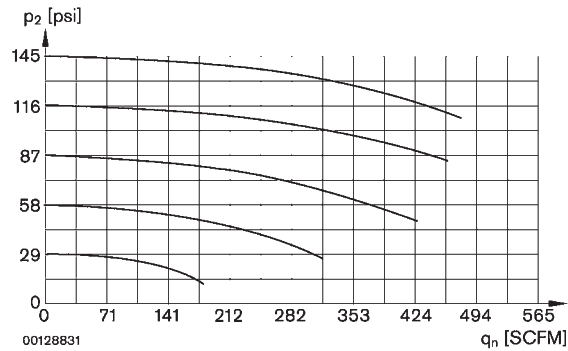
Pneutrol International Limited
UK Office
5 Caulside Drive, Antrim, BT41 2DU
United Kingdom
TEL: +44 (0) 289448 1808
www.valves-direct.com

sales@pneutrol.com
European Office
Unit 6, Saint Anthony's Business Park, Ballymount Road, D22 VW95
Ireland
TEL: +353 (0) 1 4373653
www.valves-direct.com

Compressed air maintenance unit, series AS5-Inch

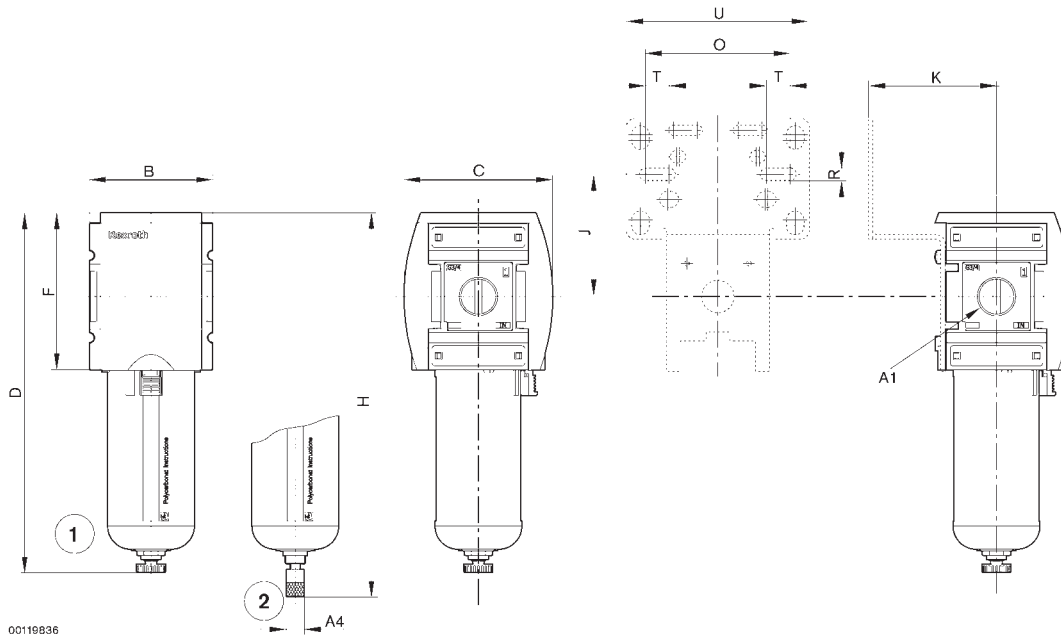
Standard filter AS5-FLS, 5 or 40 micron, 3/4" - 1" NPT

Flow rate characteristic



p_2 = secondary pressure; q_n = nominal flow

Dimensioned drawing



- 1) semi-automatic condensate drain
- 2) fully automatic condensate drain

	A1	A4	B	C	D	F	H	J	K	O	R	T	U
3/4 NPT		G 1/8	3.346	4.055	9.843	4.291	10.472	3.268	3.425	3.858	0.276	0.63	4.882
1 NPT		G 1/8	3.346	4.055	9.843	4.291	10.472	3.268	3.425	3.858	0.276	0.63	4.882