

Compressed air maintenance unit, series AS2-Inch

Pressure regulator AS2-RGS-...-DS, with continuous pressure supply,
1/4 NPT - 3/8 NPT, ATEX approved

AVENTICS®



Technical Data

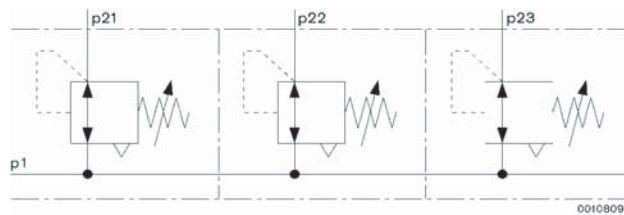
Type	Diaphragm-type pressure regulator with relief opening and reverse flow capability Lockable regulator knob	
Supply pressure	232 psi (max.)	
Secondary pressure	See table	
Nominal flow qn	See table	
Secondary pressure = 91 psi and Δp = 15 psi		
Temperature range	-10 °C to +50 °C (14 °F to +122 °F) *	
Medium	Compressed air	
Weight	See table	
Installation position	Any	
Materials	Body Thread insert Cover	Polyamide, seals Buna-N(NBR) Die-cast zinc ABS

ATEX:	In zone 1 (gas-ex, category 2G) In zone 21 (dust-ex, category 2D) In zone 2 (gas-ex, category 3G) In zone 22 (dust-ex, category 3D)
-------	--

* with dried air
Possible to assemble multiple regulators providing continuous inlet pressure and individual regulated pressure outlets.
In the case of block assembly, only gauge with Ø ≤ 2 inch can be used



Example of application



Part no.

Symbol	Threaded ports	Nominal flow qn [CFM]	Secondary pressure [psi]	Weight [lbs]	Part no. without pressure gauge
	1/4 NPT	78	1 ... 14	0.55	R432000584
	1/4 NPT	78	1 ... 29	0.55	R432000585
	1/4 NPT	78	2 ... 58	0.55	R432000586
	1/4 NPT	78	7 ... 116	0.55	R432000587
	1/4 NPT	78	7 ... 145	0.55	R432000588
	1/4 NPT	78	7 ... 232	0.55	R432000589
	3/8 NPT	95	1 ... 14	0.55	R432000590
	3/8 NPT	95	1 ... 29	0.55	R432000591
	3/8 NPT	95	2 ... 58	0.55	R432000592
	3/8 NPT	95	7 ... 116	0.55	R432000593
	3/8 NPT	95	7 ... 145	0.55	R432000594
	3/8 NPT	95	7 ... 232	0.55	R432000595

Accessories (to be ordered separately)

	Accessory	Part no.
	Pressure regulator valve seal kit	R961400030
	Mounting plate AS2-MBR-...-W01 (incl. 2 bolts)	R432031071
	Mounting strap AS2-MBR-...-W03	R412006370
	Block assembly kit AS2-MBR-...-W04	R412006371

See accessories section for pressure gauges

Pneutrol International Limited
UK Office
5 Caulside Drive, Antrim, BT41 2DU
United Kingdom
TEL: +44 (0) 289448 1808
www.valves-direct.com

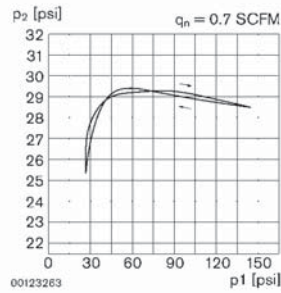
sales@pneutrol.com
European Office
Unit 6, Saint Anthony's Business Park, Ballymount Road, D22 VW95
Ireland
TEL: +353 (0) 1 4373653
www.valves-direct.com

Compressed air maintenance unit, series AS2-Inch

Pressure regulator AS2-RGS-...-DS, with continuous pressure supply,
1/4 NPT - 3/8 NPT, ATEX approved

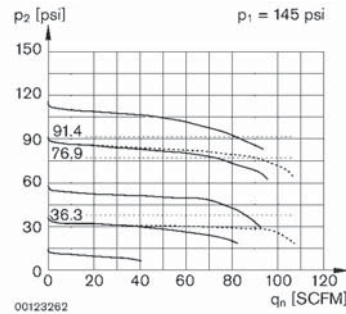


Pressure characteristics curve

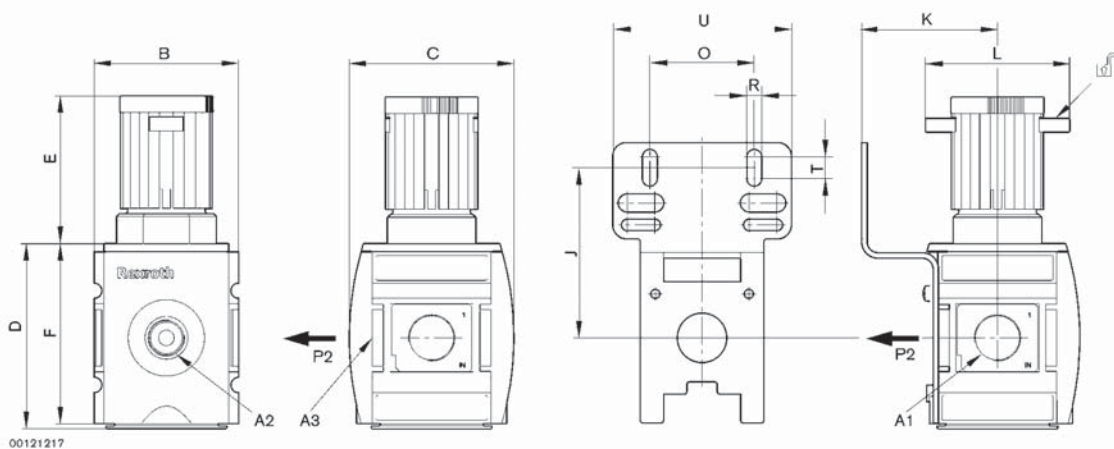


p_1 = Supply pressure; p_2 = Secondary pressure; q_n = Flow rate

Flow rate characteristic (setting range p_2 : 7 to 145 psi)



p_1 = Supply pressure; p_2 = Secondary pressure; q_n = Flow rate



(mounting bracket not included, order separately)

p_2 = Secondary pressure

A1	A2	A3	B	C	D	E	F	J	K	L	O	R	T	U
1/4 NPT	1/4 NPT	1/4 NPT	2.047	2.323	2.630	2.275	2.559	2.433	1.945	2.047	1.496	0.213	0.394	2.559
3/8 NPT	1/4 NPT	1/4 NPT	2.047	2.323	2.630	2.275	2.559	2.433	1.945	2.047	1.496	0.213	0.394	2.559

Dimensions in inches

Pneutrol International Limited
UK Office
5 Causide Drive, Antrim, BT41 2DU
United Kingdom
TEL: +44 (0) 289448 1808
www.valves-direct.com

sales@pneutrol.com
European Office
Unit 6, Saint Anthony's Business Park, Ballymount Road, D22 VW95
Ireland
TEL: +353 (0) 1 4373653
www.valves-direct.com