

Preparation of compressed air → Supplementary products

Filter pressure regulator, Series AS5-FRE

► 3/4 NPTF - 1 NPTF ► filter porosity: 5 µm ► lockable ► For padlocks



Version	1-in-1, Can be assembled into blocks
Parts	Filter, Pressure controller
Nominal flow Qn	14000 l/min
Mounting orientation	vertical
Working pressure min./max.	See table below
Medium	Compressed air
Medium temperature min./max.	-10 °C / +50 °C
Ambient temperature min./max.	-10 °C / +50 °C
Regulator type	Diaphragm-type pressure regulator
Regulator function	with relieving air exhaust
Adjustment range min./max.	See table below
Pressure supply	single
Filter reservoir volume	87 cm ³
Filter element	exchangeable
Condensate drain	See table below
Max. Internal air consumption	1.5 l/min
Materials:	
Housing	Polyamide
Front plate	Acrylonitrile butadiene styrene
Seals	Acrylonitrile Butadiene Rubber
Threaded bushing	Die cast zinc
Filter insert	Polyethylene

Technical Remarks

- The pressure dew point must be at least 15 °C under ambient and medium temperature and may not exceed 3 °C.
- These pneumatic components with NPTF or inch thread dimensions are only available from our US sales organization

	Port	Working pressure	Adjustment range	Condensate drain	Weight	Part No.
		min./max.	min./max.		[kg]	
		[bar]	[bar]			
	3/4 NPTF	1.5 / 16	0.5 / 8	semi-automatic, open without pressure	1.082	R432002786
	3/4 NPTF	1.5 / 16		fully automatic, open without pressure	1.133	R432002785
	3/4 NPTF	0 / 16		fully automatic, closed without pressure	1.133	R432002784
	1 NPTF	1.5 / 16		semi-automatic, open without pressure	1.082	R432002805
	1 NPTF	1.5 / 16		fully automatic, open without pressure	1.133	R432002804
	1 NPTF	0 / 16		fully automatic, closed without pressure	1.133	R432002803

Nominal flow Qn at p1 = 6.3 bar and Δp = 1 bar
 Reservoir: Polycarbonate
 Protective guard: Polyamide

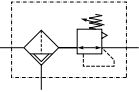
Supplementary products

Part numbers marked in bold are available from the central warehouse in Germany, see the shopping basket for more detailed information
 Pneumatics catalog, online PDF, as of 2013-03-19, © Bosch Rexroth AG, subject to change

Preparation of compressed air → Supplementary products

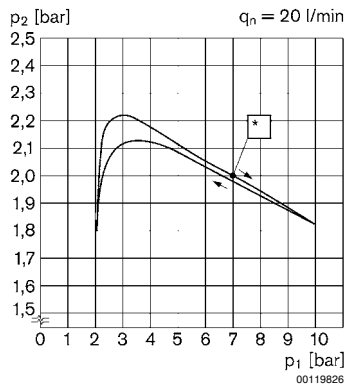
Filter pressure regulator, Series AS5-FRE

▶ 3/4 NPTF - 1 NPTF ▶ filter porosity: 5 µm ▶ lockable ▶ For padlocks

	Port	Working pressure min./max. [bar]	Adjustment range min./max. [bar]	Condensate drain	Weight [kg]	Part No.
	3/4 NPTF	1.5 / 16	0.5 / 8	semi-automatic, open without pressure	0.99	R432002773
	3/4 NPTF	1.5 / 16	0.5 / 8	fully automatic, open without pressure	1.041	R432002772
	3/4 NPTF	0 / 16	0.5 / 8	fully automatic, closed without pressure	1.041	R432002771
	3/4 NPTF	1.5 / 16	0.5 / 10	semi-automatic, open without pressure	0.99	R432002782
	3/4 NPTF	1.5 / 16	0.5 / 10	fully automatic, open without pressure	1.041	R432002780
	3/4 NPTF	0 / 16	0.5 / 10	fully automatic, closed without pressure	1.041	R432002778
	1 NPTF	1.5 / 16	0.5 / 8	semi-automatic, open without pressure	0.99	R432002792
	1 NPTF	1.5 / 16	0.5 / 8	fully automatic, open without pressure	1.041	R432002791
	1 NPTF	0 / 16	0.5 / 8	fully automatic, closed without pressure	1.041	R432002790
	1 NPTF	1.5 / 16	0.5 / 10	semi-automatic, open without pressure	0.99	R432002801
	1 NPTF	1.5 / 16	0.5 / 10	fully automatic, open without pressure	1.041	R432002799
	1 NPTF	0 / 16	0.5 / 10	fully automatic, closed without pressure	1.041	R432002797

Nominal flow Q_n at $p_1 = 6.3$ bar and $\Delta p = 1$ bar
 Reservoir: Polycarbonate
 Protective guard: Polyamide

Pressure characteristics curve



p_1 = working pressure
 p_2 = secondary pressure
 q_n = nominal flow
 * starting point

Supplementary products

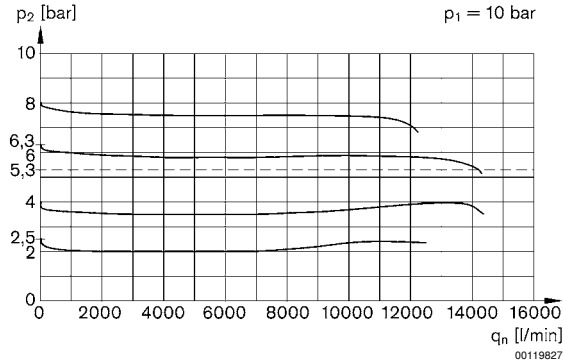
Part numbers marked in bold are available from the central warehouse in Germany, see the shopping basket for more detailed information
 Pneumatics catalog, online PDF, as of 2013-03-19, © Bosch Rexroth AG, subject to change

Preparation of compressed air → Supplementary products

Filter pressure regulator, Series AS5-FRE

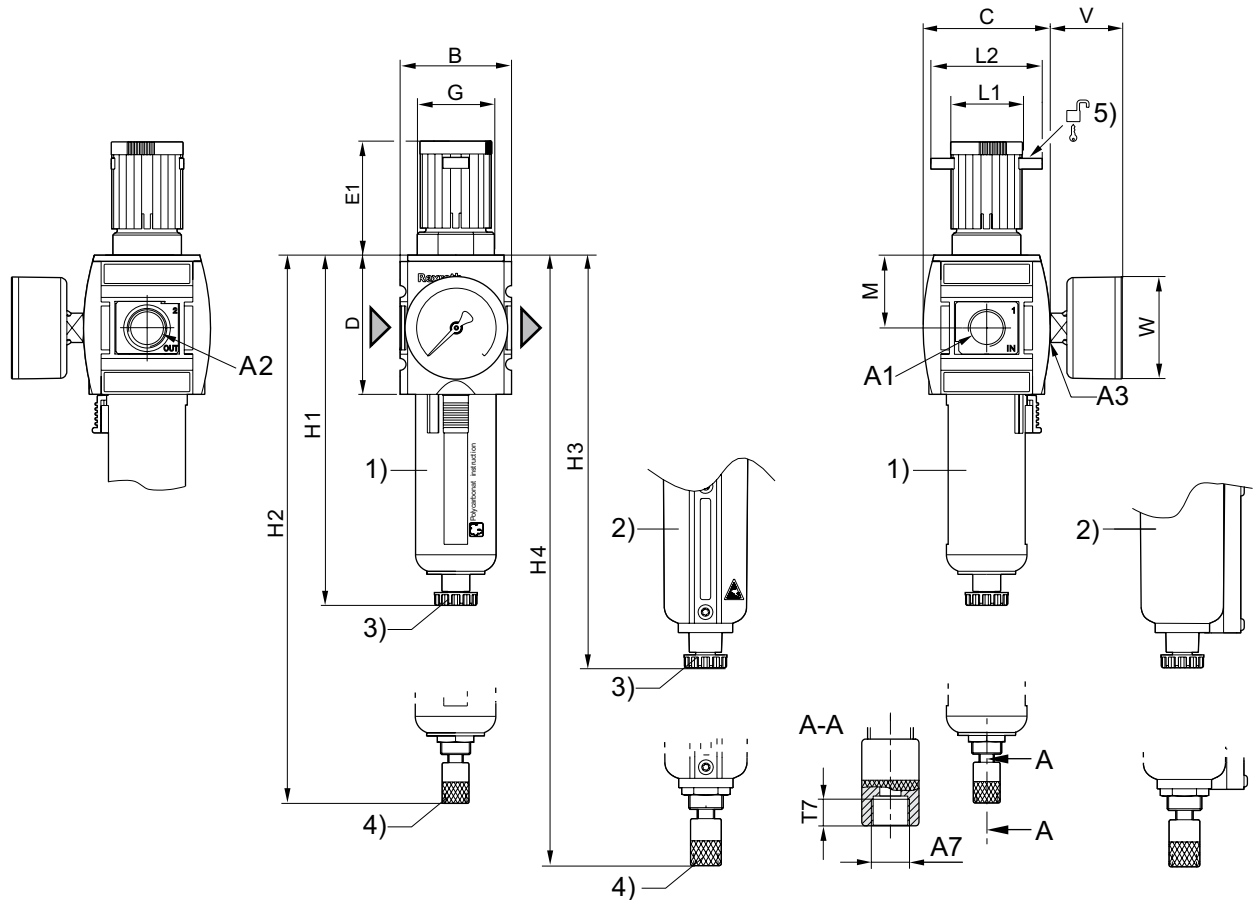
▶ 3/4 NPTF - 1 NPTF ▶ filter porosity: 5 µm ▶ lockable ▶ For padlocks

Flow rate characteristic



p_1 = working pressure
 p_2 = secondary pressure
 q_n = nominal flow

Dimensions in inches



- 1) Plastic reservoir and protective guard with window
- 2) Metal reservoir with level indicator
- 3) Semi-automatic condensate drain
- 4) Fully automatic condensate drain
- 5) Mounting option for padlocks; max. shackle Ø 8

00123324

Supplementary products

Part numbers marked in bold are available from the central warehouse in Germany, see the shopping basket for more detailed information
 Pneumatics catalog, online PDF, as of 2013-03-19, © Bosch Rexroth AG, subject to change

Preparation of compressed air → Supplementary products**Filter pressure regulator, Series AS5-FRE**

▶ 3/4 NPTF - 1 NPTF ▶ filter porosity: 5 µm ▶ lockable ▶ For padlocks

Dimensions in inches

A1	A2	A3	A7	B	C	D	E1	G	H1	H2	H3	H4
3/4 NPTF	3/4 NPT	1/4 NPT	G 1/8	3.35	4.06	4.29	2.95	M50x1,5	7.46	8.11	7.62	8.29
1 NPTF	1 NPT	1/4 NPT	G 1/8	3.35	4.06	4.29	2.95	M50x1,5	7.46	8.11	7.62	8.29

A1	L1	L2	M	V	W							
3/4 NPTF	1.61	2.36	2.28	1.5	2.48							
1 NPTF	1.61	2.36	2.28	1.5	2.48							