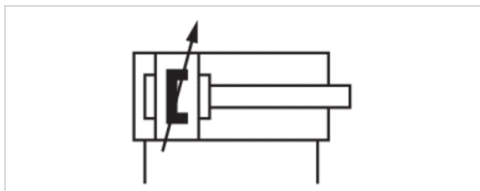


# Round cylinder, Series RPC

- Version: standard type
- Ø 32-63 mm
- Ports G 1/8 G 1/4 G 3/8
- double-acting
- with magnetic piston
- Cushioning Pneumatically adjustable
- with integrated rear eye
- Piston rod External thread



Compressed air connection	Internal thread
Working pressure min./max.	1 ... 10 bar
Ambient temperature min./max.	-20 ... 80 °C
Medium temperature min./max.	-20 ... 80 °C
Medium	Compressed air
Max. particle size	50 µm
Oil content of compressed air	0 ... 5 mg/m <sup>3</sup>
Pressure for determining piston forces	6.3 bar

## Technical data

Piston Ø Piston rod thread Ports Piston rod Ø	32 mm M10x1,25 G 1/8 12 mm	40 mm M12x1,25 G 1/4 16 mm	50 mm M16x1,5 G 1/4 20 mm	63 mm M16x1,5 G 3/8 20 mm
Stroke 25	R412020728	R412020739	R412020750	R412020761
50	R412020729	R412020740	R412020751	R412020762
80	R412020730	R412020741	R412020752	R412020763
100	R412020731	R412020742	R412020753	R412020764
125	R412020732	R412020743	R412020754	R412020765
160	R412020733	R412020744	R412020755	R412020766
200	R412020734	R412020745	R412020756	R412020767
250	R412020735	R412020746	R412020757	R412020768
320	R412020736	R412020747	R412020758	R412020769
400	R412020737	R412020748	R412020759	R412020770
500	R412020738	R412020749	R412020760	R412020771

## Technical data

Piston Ø	32 mm	40 mm	50 mm	63 mm
Retracting piston force	435 N	660 N	1035 N	1765 N
Extracting piston force	505 N	790 N	1235 N	1960 N
Cushioning length	16,5 mm	19 mm	17 mm	16,5 mm
Cushioning energy	4,8 J	9 J	15 J	27 J
Weight 0 mm stroke	0,34 kg	0,58 kg	0,96 kg	1,3 kg
Weight +10 mm stroke	0,015 kg	0,024 kg	0,04 kg	0,044 kg
Stroke max.	1200 mm	1200 mm	1200 mm	1200 mm

## Technical information

The pressure dew point must be at least 15 °C under ambient and medium temperature and may not exceed 3 °C .

The oil content of compressed air must remain constant during the life cycle.

Use only the approved oils from AVENTICS. Further information can be found in the "Technical information" document (available in the MediaCentre).

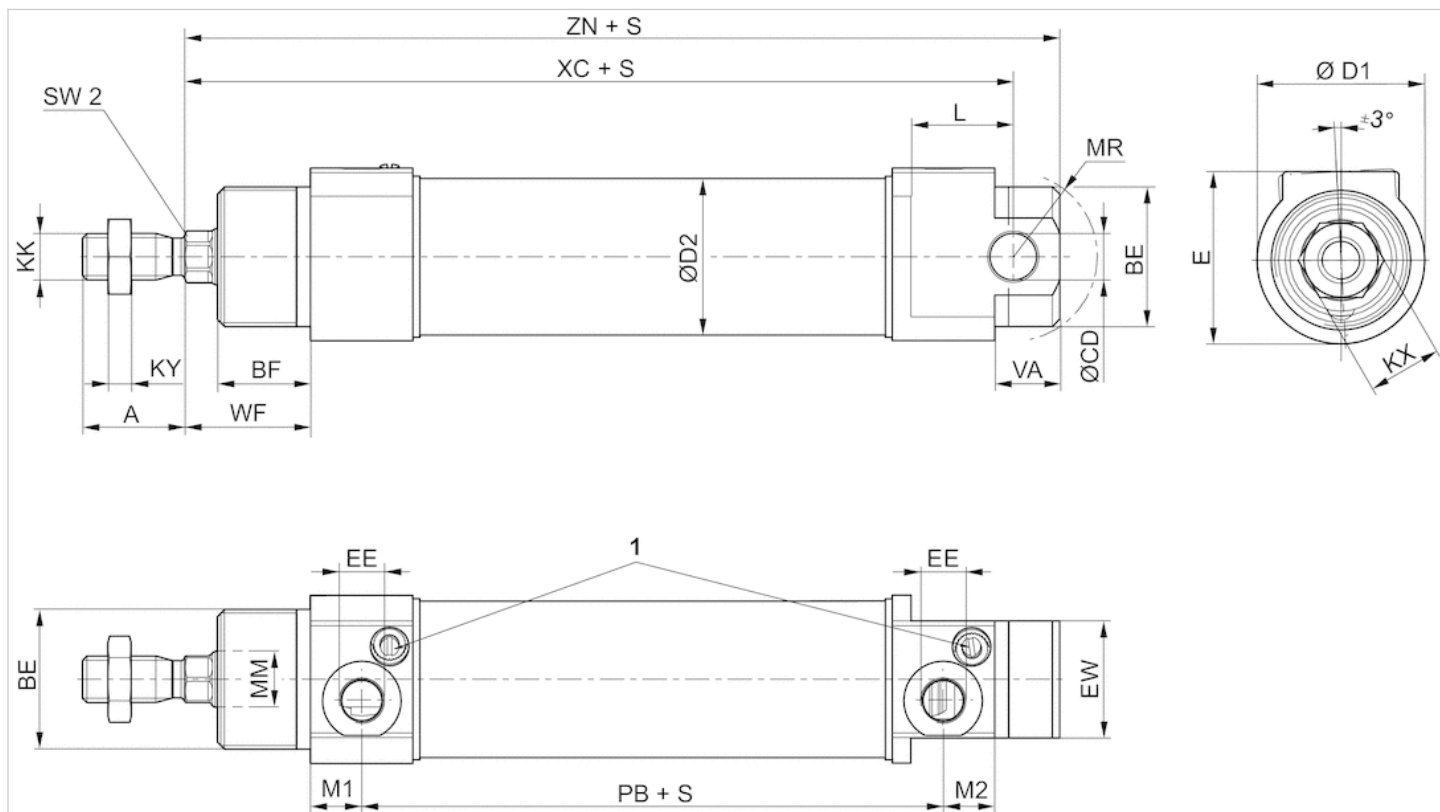
Clamping piece for magnetic field sensor necessary

## Technical information

Material	
Cylinder tube	Stainless steel
Piston rod	Stainless steel
Piston	Polyamide, fiber-glass reinforced
Front cover	Aluminum, anodized
End cover	Aluminum, anodized
Seal	Polyurethane
Nut for piston rod	Steel, galvanized
Scraper	Polyurethane
Guide bushing	Steel

## Dimensions

### Dimensions



S=stroke

1) Slot in throttle screw 1 mm

## Dimensions

Piston $\varnothing$	A	BE	BF	$\varnothing CD$ H8	$\varnothing D1$	$\varnothing D2$	E	EE	EW	KK	KX	KY	L 1)
32 mm	22	M30x1,5	20	10	36	33.5	37	G 1/8	25	M10x1,25*	16	5	22
40 mm	24	M38x1.5	23	12	45	41.5	45	G 1/4	30	M12x1,25*	19	6	23
50 mm	32	M45x1,5	24	12	55	52.5	55	G 1/4	35	M16x1,5	24	8	26
63 mm	32	M45x1,5	26.5	16	69	65.4	69	G 3/8	35	M16x1,5	24	8	29

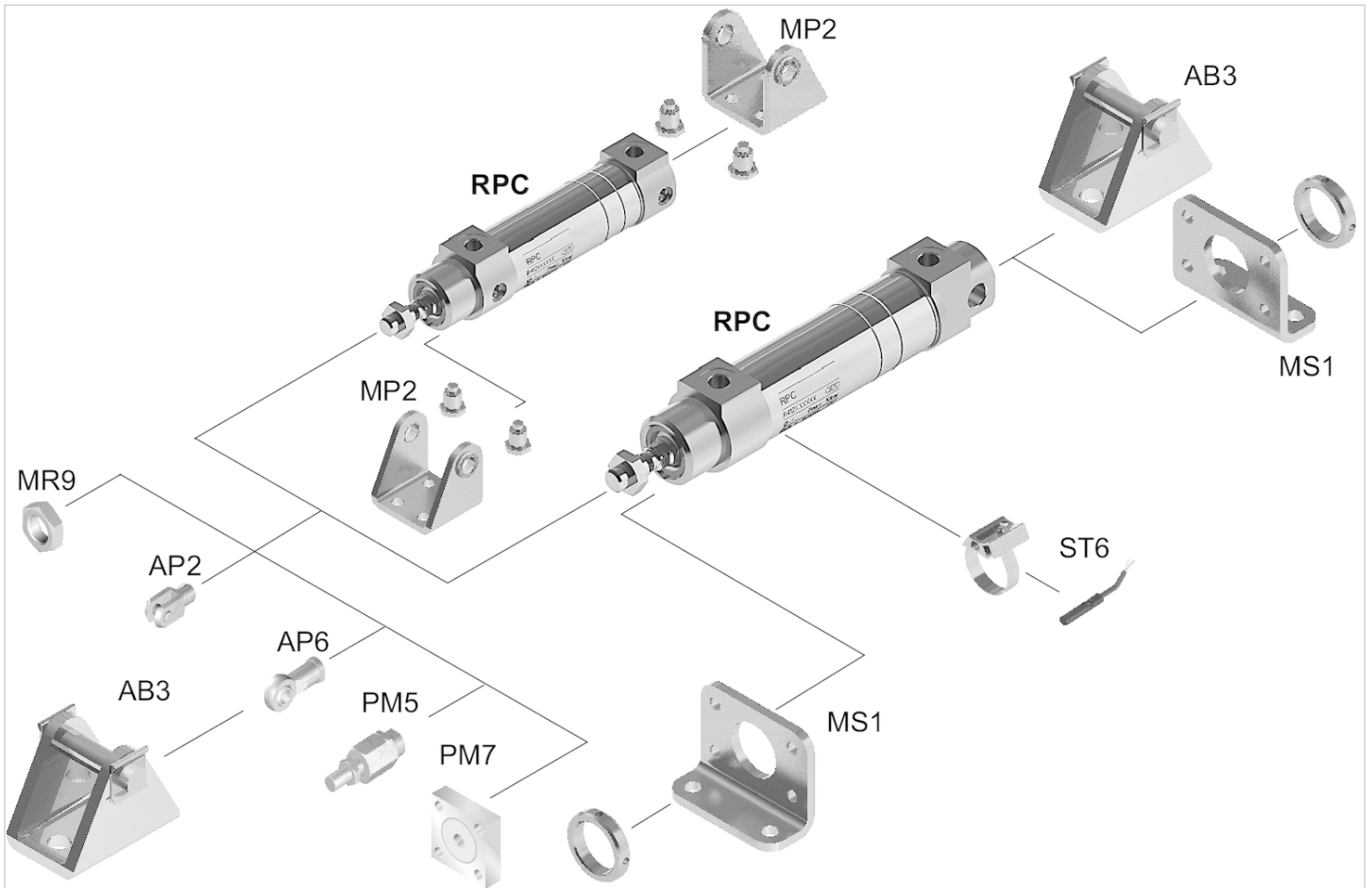
Piston $\varnothing$	$\varnothing$ MM f8	M1	M2	MR	PB	SW2	VA	WF	XC	ZN
32 mm	12	11	11	18	75	10	14	27	128	138
40 mm	16	11.5	11.5	22.5	87	13	15	32	146	157
50 mm	20	11.5	11.5	25.5	87.5	17	18	33.5	151	162
63 mm	20	13	13.5	36.5	92	17	20	36.5	161	175

\* Use our Internet configurator to order these variants with coarse-pitch thread M10x1.5 or M12x1.75.

1) Min.

# Accessories overview

## Overview drawing



NOTE: This overview drawing is only for orientation to indicate where the various accessory parts can be fastened to the cylinder. The illustration has been simplified for this purpose. It is thus not possible to derive the dimensions from this overview.