

Series NU2

- T-union
- External thread
- G 1/8
- plug-in with tube nut
- Ø 4
- NU2-S-RTT



Working pressure min./max.	-0,95 ... 15 bar
Ambient temperature min./max.	-25 ... 70 °C
Weight	See table

Technical data

Part No.	Port G	Port D	Delivery unit	Weight
1823391779	G 1/8	Ø 4	10 piece	0,012 kg
1823391781	G 1/8	Ø 6	10 piece	0,024 kg
1823391780	G 1/4	Ø 4	5 piece	0,026 kg
1823391782	G 1/4	Ø 6	5 piece	0,027 kg
1823391783	G 1/4	Ø 8	5 piece	0,032 kg

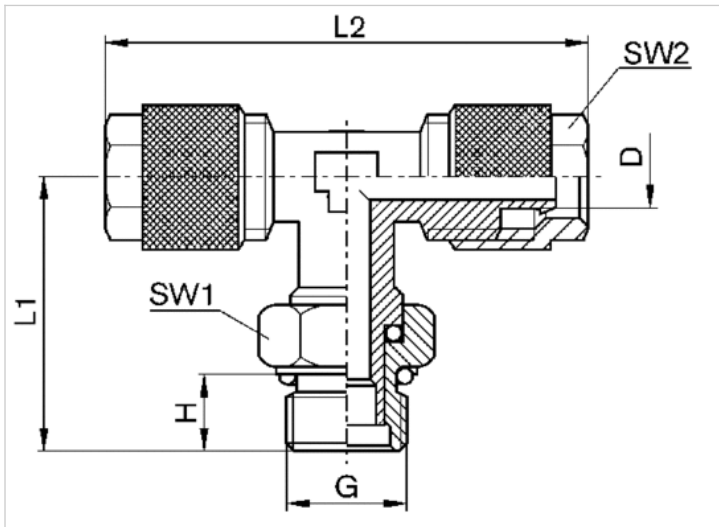
Technical information

For further information about assembling and tolerances of adaptable tubing can be found in the "Technical information" document (available in the MediaCentre).

Technical information

Material	
Housing	Brass, nickel-plated

Dimensions



Dimensions

Part No.	Port D	Port G	H	L1	L2	SW1	SW2
1823391779	Ø 4	G 1/8	6	22	40	13	10
1823391781	Ø 6	G 1/8	6	24	40	13	12
1823391780	Ø 4	G 1/4	8	26	40	16	10
1823391782	Ø 6	G 1/4	8	27.5	43	16	12
1823391783	Ø 8	G 1/4	8	27.5	45	16	14

Connection D = inside diameter of the tubing to be used