

Series NU2

- T-connector
- plug-in with tube nut
- Ø 3 Ø 4 Ø 6 Ø 8
- plug-in with tube nut
- Ø 3 Ø 4 Ø 6 Ø 8



Working pressure min./max.

-0,95 ... 15 bar

Ambient temperature min./max.

-25 ... 70 °C

Weight

See table below

Technical data

Part No.	Type	Port G	Port D	Delivery unit	Weight
1823391794	NU2-S-RTK	Ø 3	Ø 3	10 piece	0,012 kg
1823391795	NU2-S-RTK	Ø 4	Ø 4	10 piece	0,024 kg
1823391796	NU2-S-RTR	Ø 4	Ø 6	5 piece	0,026 kg
1823391797	NU2-S-RTK	Ø 6	Ø 6	5 piece	0,027 kg
1823391798	NU2-S-RTR	Ø 4	Ø 8	5 piece	0,032 kg
1823391799	NU2-S-RTR	Ø 6	Ø 8	5 piece	0,035 kg
1823391800	NU2-S-RTK	Ø 8	Ø 8	5 piece	0,035 kg

Weight per piece

Technical information

For use up to -40 °C when using with compressed air tubing series TU1-S-PAM Ø4x1, Ø6x1, Ø8x1, Ø10x1, Ø12x1.5

For further information about assembling and tolerances of adaptable tubing can be found in the "Technical information" document (available in the MediaCentre).

Technical information

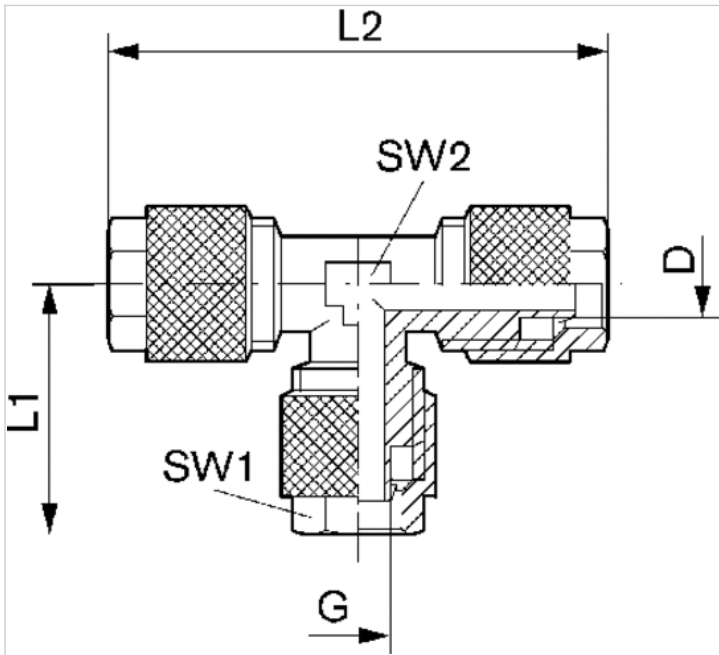
Material

Housing

Brass, nickel-plated

Dimensions

Dimensions



Dimensions

Part No.	Port D	Port G	L1	L2	SW 1	SW 2
1823391794	Ø 3	Ø 3	20.8	41.2	8	8
1823391795	Ø 4	Ø 4	20	41.2	10	8
1823391796	Ø 6	Ø 4	20	40	12	9
1823391797	Ø 6	Ø 6	20	41	12	9
1823391798	Ø 8	Ø 4	19	44	14	11
1823391799	Ø 8	Ø 6	21	44	14	11
1823391800	Ø 8	Ø 8	22.5	45.5	14	11

Connection D = inside diameter of the tubing to be used