

# Series NU2

- 1x banjo bolt
- External thread
- G 1/8
- Uncollected
- NU2-S-RH1



Working pressure min./max.

-0,95 ... 15 bar

Ambient temperature min./max.

0 ... 80 °C

Medium

Compressed air

Weight

0,015 kg

Weight per piece

## Technical data

Part No.	Port G	Delivery unit
1823391259	G 1/8	10 piece

## Technical information

Only applicable in combination with QR2-S and NU2-S series banjo unions.

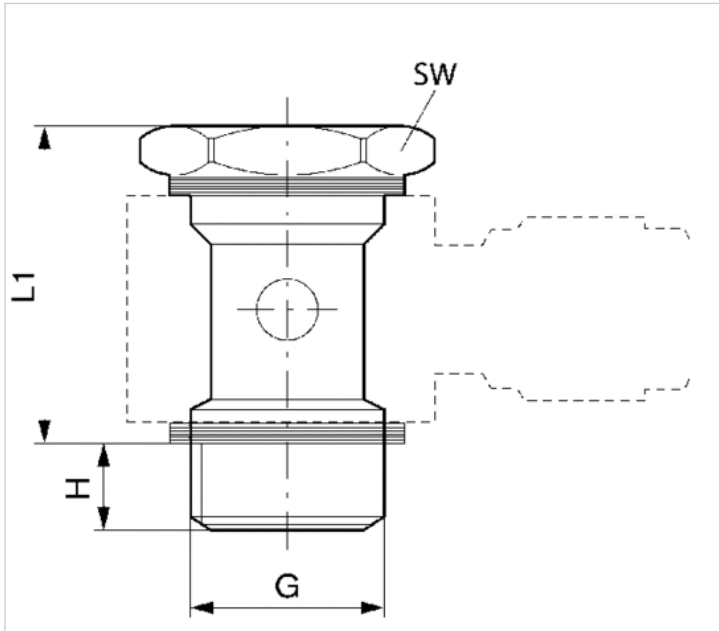
For further information about assembling and tolerances of adaptable tubing can be found in the "Technical information" document (available in the MediaCentre).

## Technical information

Material	
Housing	Brass, nickel-plated
Seal	Polyvinyl chloride

## Dimensions

### Dimensions



## Dimensions

Part No.	Port G	H	L1	SW
1823391259	G 1/8	6.5	21.5	14

Connection D = inside diameter of the tubing to be used