

Crosspiece, tapered

- Internal thread
- G 1/8
- External thread
- R 1/8
- FPT-S-RXS



Working pressure min./max.

0 ... 16 bar

Ambient temperature min./max.

-20 ... 80 °C

Technical data

Part No.	Port G	Port D	Delivery unit
R412010031	G 1/8	R 1/8	10 piece
R412010032	G 1/4	R 1/4	10 piece
R412010033	G 3/8	R 3/8	5 piece
R412010034	G 1/2	R 1/2	5 piece

Technical information

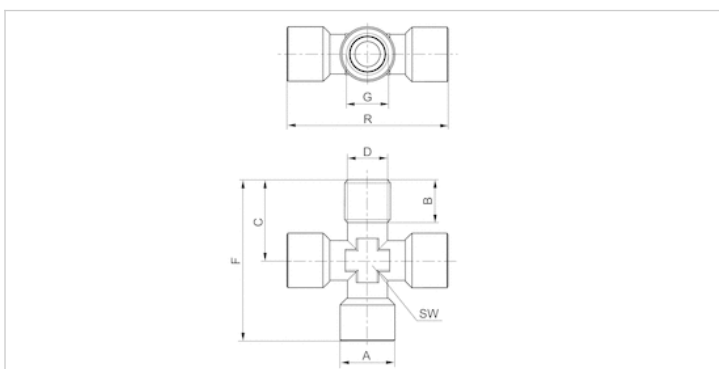
Material

Material

Brass, nickel-plated

Dimensions

Dimensions



Dimensions

Part No.	Port D	Port G	A	B	C	R	E	F	SW
R412010031	R 1/8	G 1/8	13	8	18.5	42	6	39.5	10
R412010032	R 1/4	G 1/4	17	11	23.5	51	8	49.5	13
R412010033	R 3/8	G 3/8	21	11.5	26	56	11	54	17
R412010034	R 1/2	G 1/2	26	14.5	31	67	15	64	21