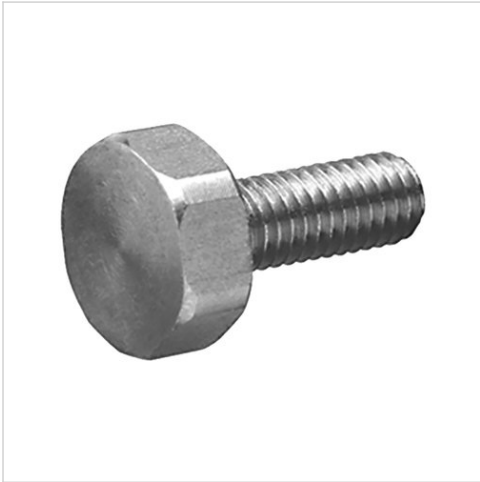


# Blanking screw

- M6



## Technical data

Part No.	Port G	Delivery unit	Fig.
R402003749	M6	4 piece	Fig. 1
R402003750	M8	4 piece	Fig. 1
R402003751	M10	4 piece	Fig. 2
R402003752	M12	4 piece	Fig. 2

## Technical information

Material

Material

Stainless steel

## Dimensions

Fig. 1

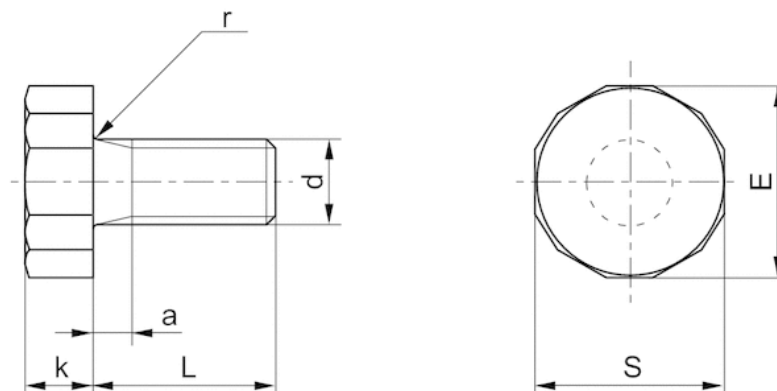
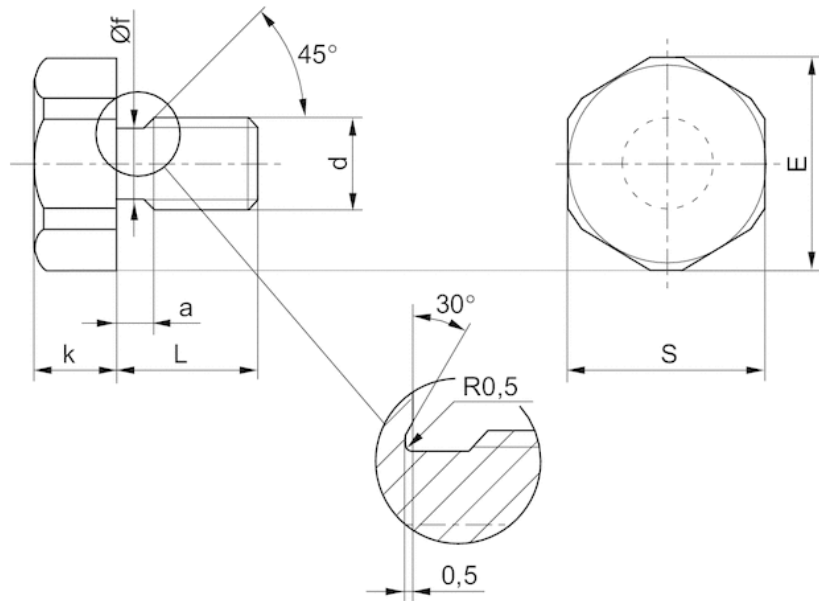


Fig. 2



Dimensions

Part No.	a	d	E	k	L	S	r
R402003749	3	M6	14	5.3	16	13	0.7
R402003750	3	M8	18	6.4	17	16	0.7
R402003751	4	M10	24	7,9	8.8	15	21
R402003752	4	M12	30	9,5	11.5	18	27