

Elbow fitting

- Internal thread
- G 1/4
- External thread
- R 1/4
- FPT-S-RLT



Working pressure min./max.

-0,95 ... 16 bar

Ambient temperature min./max.

-20 ... 150 °C

Technical data

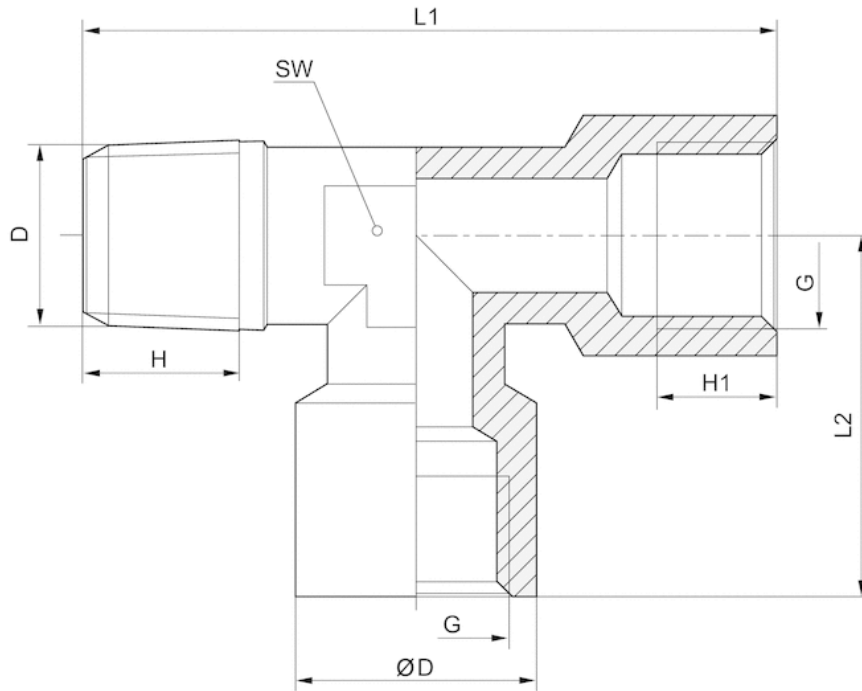
Part No.	Port G	Port D
R412010724	G 1/4	R 1/4
R412010725	G 1/2	R 1/2

Technical information

Material	
Material	Stainless steel

Dimensions

Dimensions



Dimensions

Part No.	Port D	Port G	H	H1	L1	L2	Ø D	SW
R412010724	R 1/4	G 1/4	11	11	47.5	24.5	24.5	12
R412010725	R 1/2	G 1/2	14	15	61.5	32	25.5	20