

Blanking screw with O-ring, Series FPT

- External thread
- G 1/8
- FPT-S-RBA



Working pressure min./max.

0 ... 16 bar

Ambient temperature min./max.

-20 ... 80 °C

Technical data

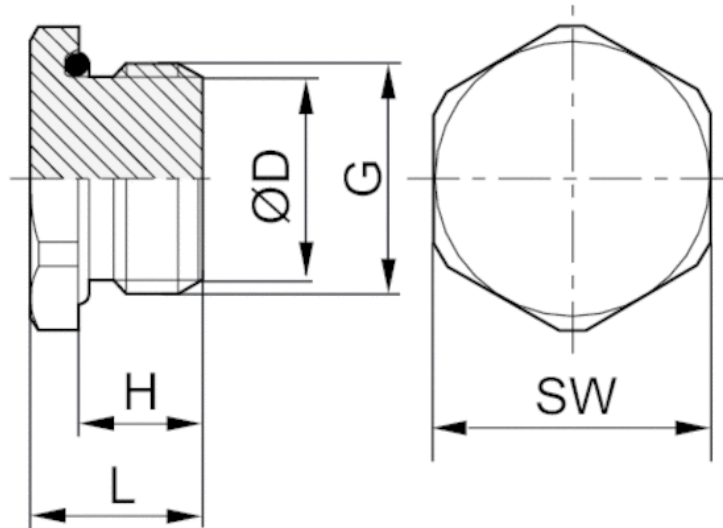
Part No.	Port G	Delivery unit
R412010743	G 1/8	25 piece
R412010744	G 1/4	25 piece
R412010745	G 3/8	25 piece
R412010746	G 1/2	25 piece

Technical information

Material	
Material	Brass, nickel-plated
Seal	Nitrile butadiene rubber

Dimensions

Dimensions



Dimensions

Part No.	Port G	ØD	H	L	SW
R412010743	G 1/8	8	5.5	8	14
R412010744	G 1/4	11	6.5	10	19
R412010745	G 3/8	14	7.5	11.5	22
R412010746	G 1/2	17.5	9	13	24