

Reducing nipple

- External thread
- M7
- Internal thread
- M5
- FPT-S-RDZ



Working pressure min./max.

0 ... 16 bar

Ambient temperature min./max.

-20 ... 80 °C

Technical data

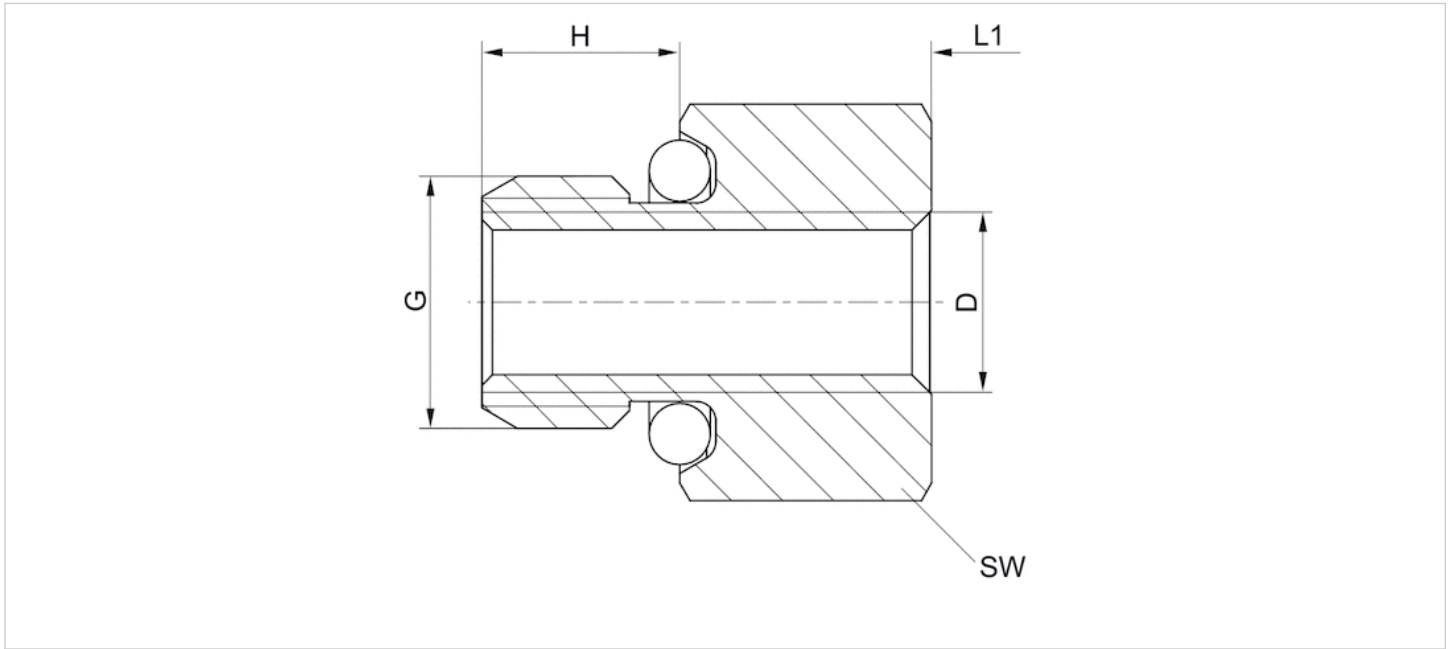
Part No.	Port G	Port D	Delivery unit
2122807050	M7	M5	10 piece

Technical information

Material	
Material	Brass, nickel-plated
Seal	Polyvinyl chloride, hard

Dimensions

Dimensions



Dimensions

Part No.	Port D	Port G	H	L1	SW
2122807050	M5	M7	5.5	7	10