

# Straight fitting

- G 3/4



Working pressure min./max.

0 ... 10 bar

Ambient temperature min./max.

-20 ... 150 °C

## Technical data

Part No.	Port G
8938028550	G 3/4
8938028560	G 3/4

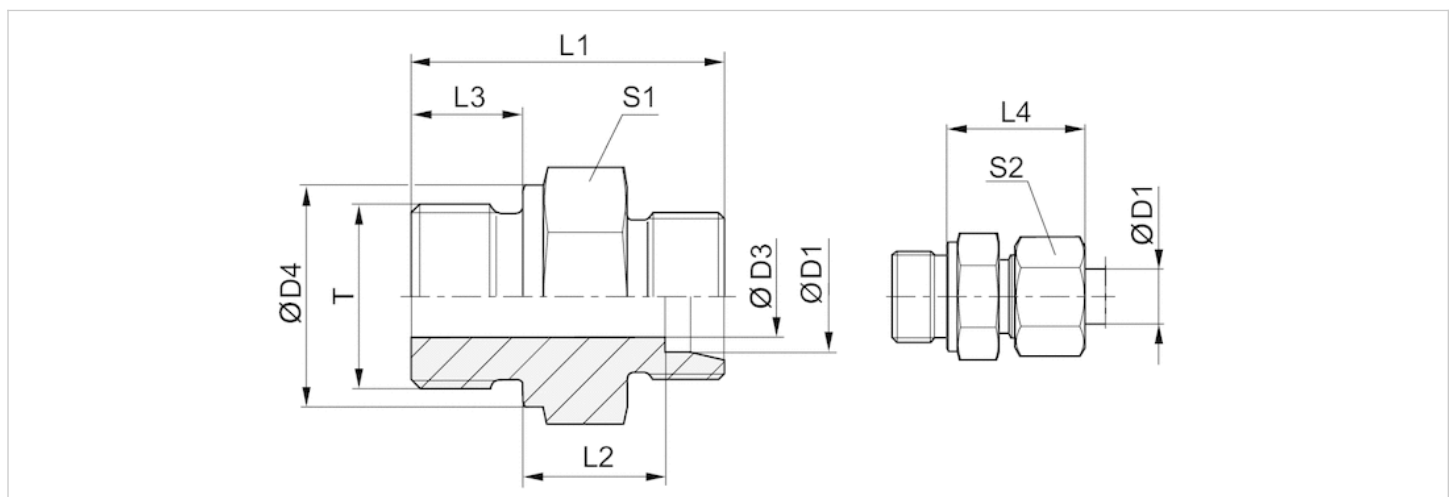
## Technical information

Material

Material	Steel
----------	-------

## Dimensions

### Dimensions



## Dimensions

Part No.	Port G	ØD1	ØD3	ØD4	L1	L2	L3	L4	S1	S2	T
8938028550	G 3/4	18	15	32	38	14,5	16	30	32	32	G3/4
8938028560	G 3/4	22	18	32	40	16,5	16	33	32	36	G3/4