

# Sensor mounting, Series CB1

- for series ST6

- to mount on cylinder KHZ



Weight

0,034 kg

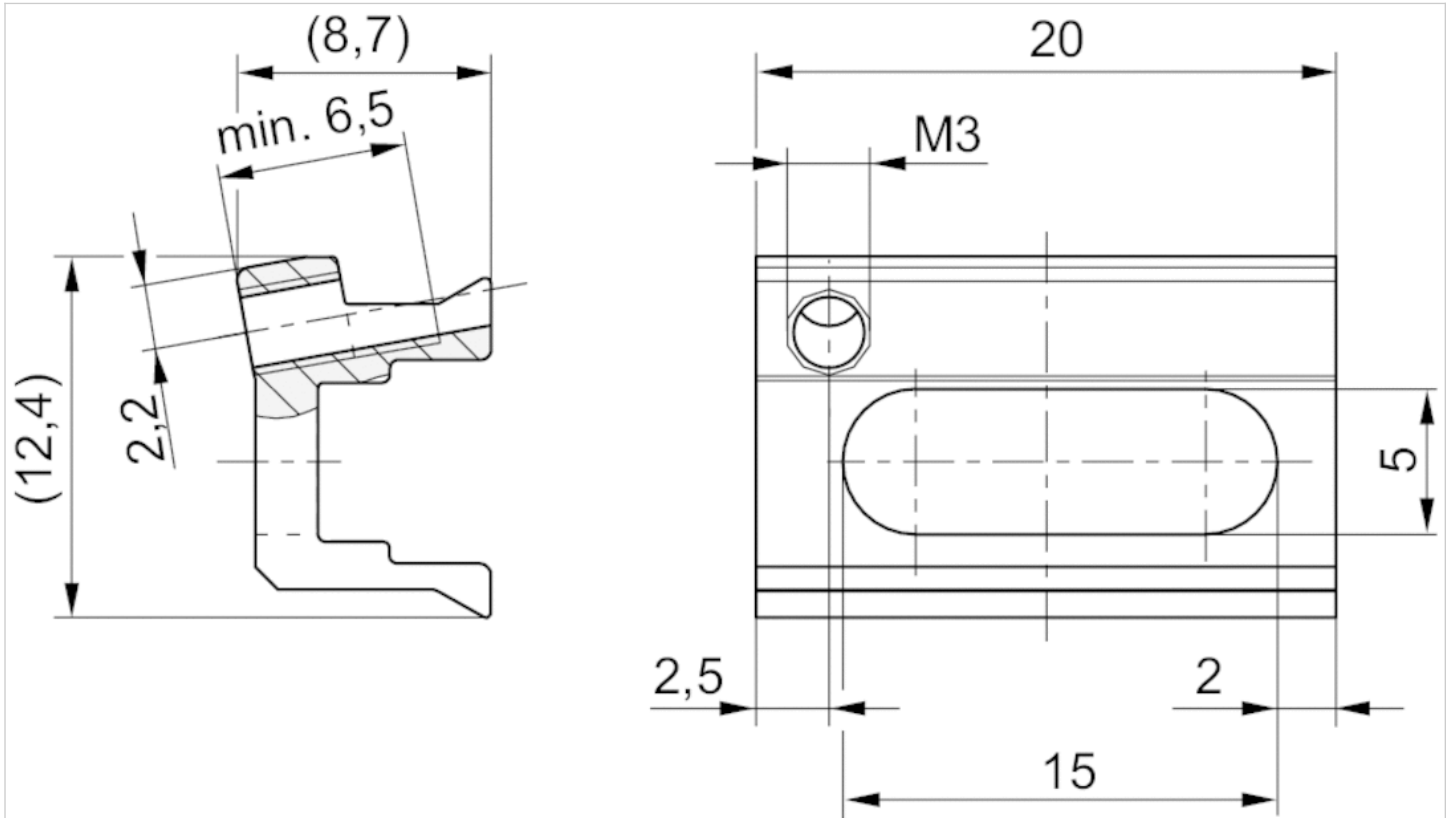
## Technical data

| Part No.   | for series |
|------------|------------|
| R422100250 | ST6        |

## Technical information

| Material           |
|--------------------|
| Aluminum, anodized |

## Dimensions



## Dimensions

| Part No.   |
|------------|
| R422100250 |

Scope of delivery: incl. threaded pin