

Sensor mounting, Series CB1

- for series SN6

- to mount on cylinder TRB, C12P, CVI, 523



Weight

0,034 kg

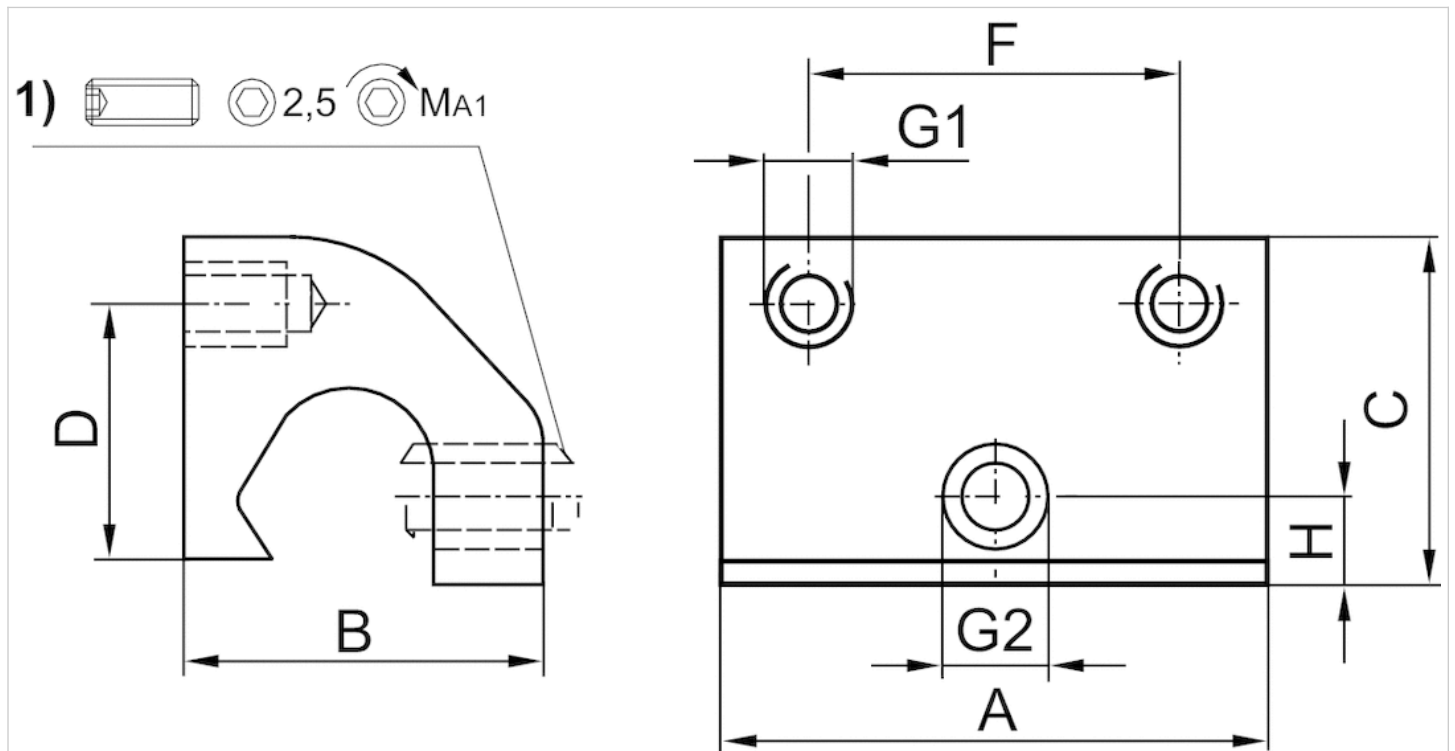
Technical data

Part No.	Cylinders Ø		for series
	min.	max.	
3220643562	80 mm	125 mm	SN6
3220613562	32 mm	63 mm	SN6

Technical information

Material
Aluminum

Dimensions



1) Clamping threaded pin

Dimensions

Part No.	Cylinders Ø	A	B	C	D	F	G1	G2	H	MA1 [Nm]
3220643562	125 mm	35	22	21	12	23	M4	M5	5	1,8 +0,4
3220613562	63 mm	35	22	21	16	23	M4	M6	5	1,8 +0,4