

# Sensor mounting, Series CB1

- for series SN6

- to mount on cylinder TRB, CVI, 523



Weight

0,028 kg

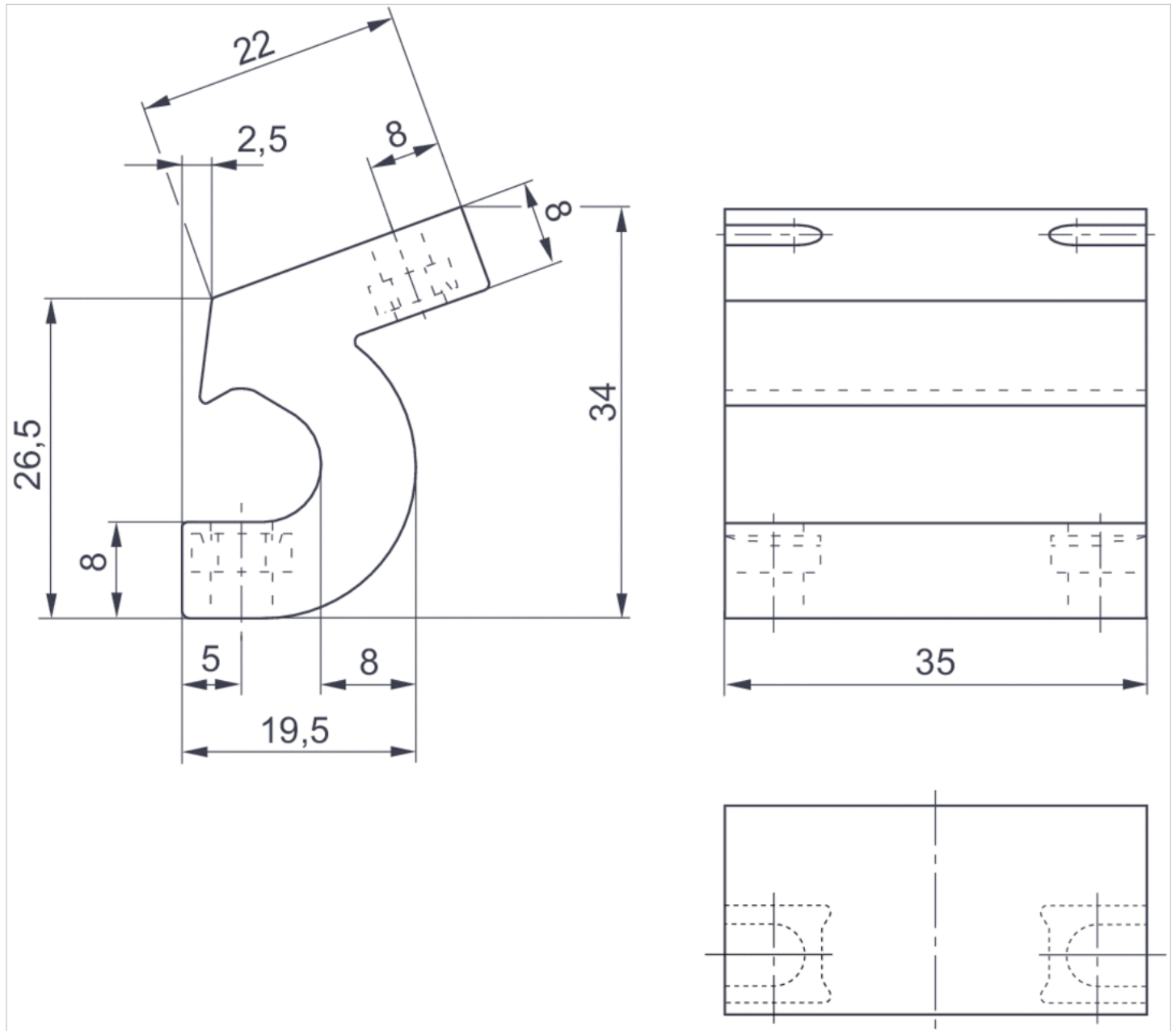
## Technical data

Part No.	Cylinders Ø		for series
	min.	max.	
5230033502	32 mm	63 mm	SN6

## Technical information

Material	
	Polyamide

## Dimensions



## Dimensions

Part No.	Cylinders Ø
5230033502	32 63 mm