

# Sensor mounting, Series CB1

- for series ST6, SM6
- to mount on cylinder 167



Weight

0,01 kg

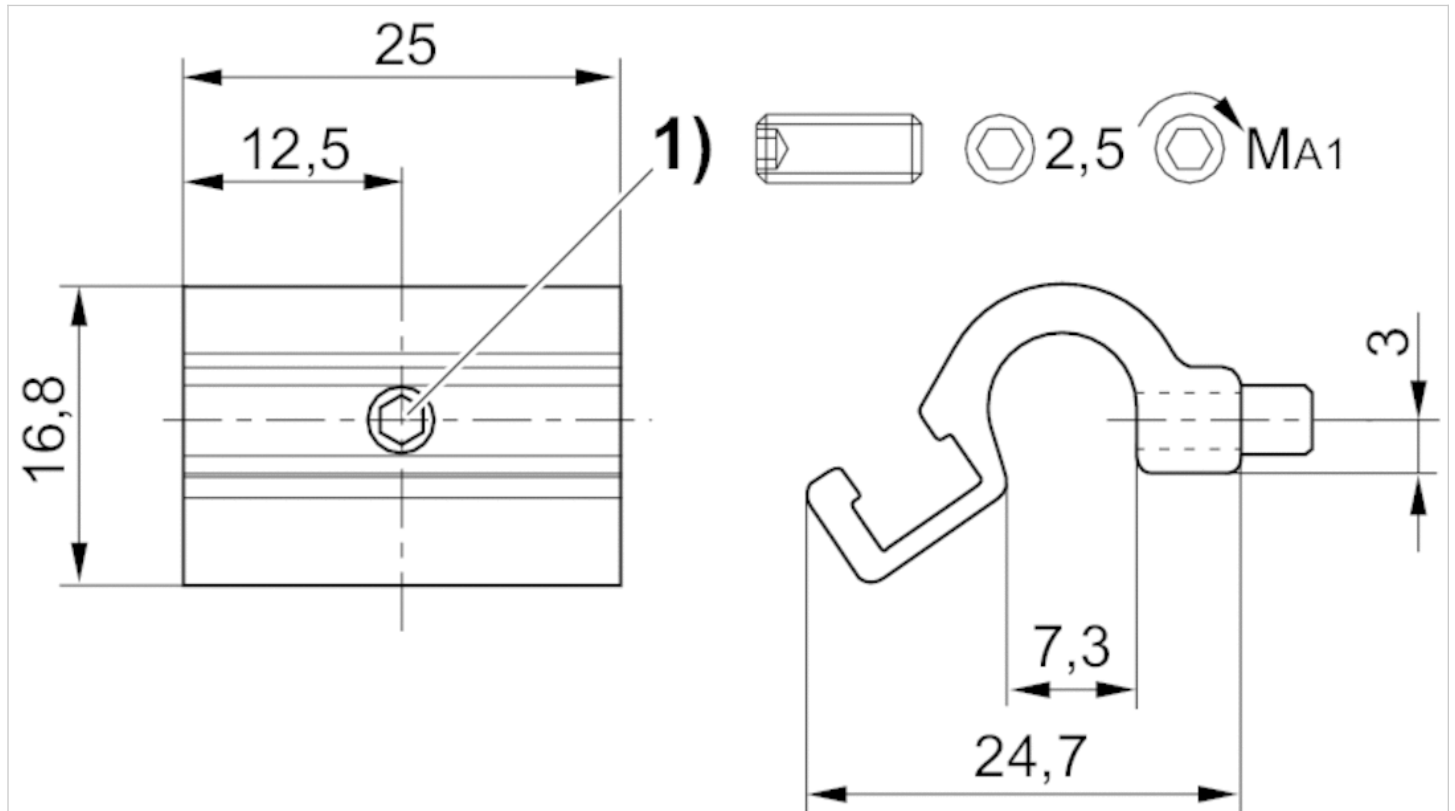
## Technical data

Part No.	Cylinders Ø	for series	Scope of delivery
	max.		
R412022357	25 mm	ST6, SM6	1 piece

## Technical information

Material	
	Aluminum

## Dimensions



1) Mounting screw

## Dimensions

Part No.	MA1 [Nm]
R412022357	1 + 0,3