

Microfilter, Series AS1-FLC

- G 1/4
- Air supply right
- filter porosity 0,01 µm



Version	Microfilter, Can be assembled into blocks
Parts	Microfilter
Mounting orientation	vertical
Working pressure min./max.	1,5 ... 12 bar
Ambient temperature min./max.	-10 ... 50 °C
Medium temperature min./max.	-10 ... 50 °C
Medium	Compressed air Neutral gases
Filter reservoir volume	12 cm ³
Filter element	exchangeable
filter porosity	0,01 µm
Condensate drain	See table
Weight	See table

Technical data

Part No.	Port	Qn	Condensate drain	Reservoir
R412014692	G 1/4	350 l/min	semi-automatic, open without pressure	Polycarbonate
R412014693	G 1/4	350 l/min	fully automatic, open without pressure	Polycarbonate
R412014694	G 1/4	350 l/min	fully automatic, closed without pressure	Polycarbonate
R412014695	G 1/4	350 l/min	semi-automatic, open without pressure	Polycarbonate
R412014696	G 1/4	350 l/min	semi-automatic, open without pressure	metal
R412014697	G 1/4	350 l/min	fully automatic, open without pressure	metal
R412014698	G 1/4	350 l/min	fully automatic, closed without pressure	metal

Part No.	Protective guard	Weight
R412014692	-	0,169 kg
R412014693	-	0,187 kg
R412014694	-	0,187 kg
R412014695	metal	0,202 kg
R412014696	-	0,246 kg
R412014697	-	0,258 kg
R412014698	-	0,258 kg

Technical information

The pressure dew point must be at least 15 °C under ambient and medium temperature and may not exceed 3 °C .

Note: Polycarbonate reservoirs are susceptible to solvents, supplementary information can be found at "Customer information". Also suitable for separation of fluid oil or water due to the design.

Recommended pre-filtering 0,3 µm

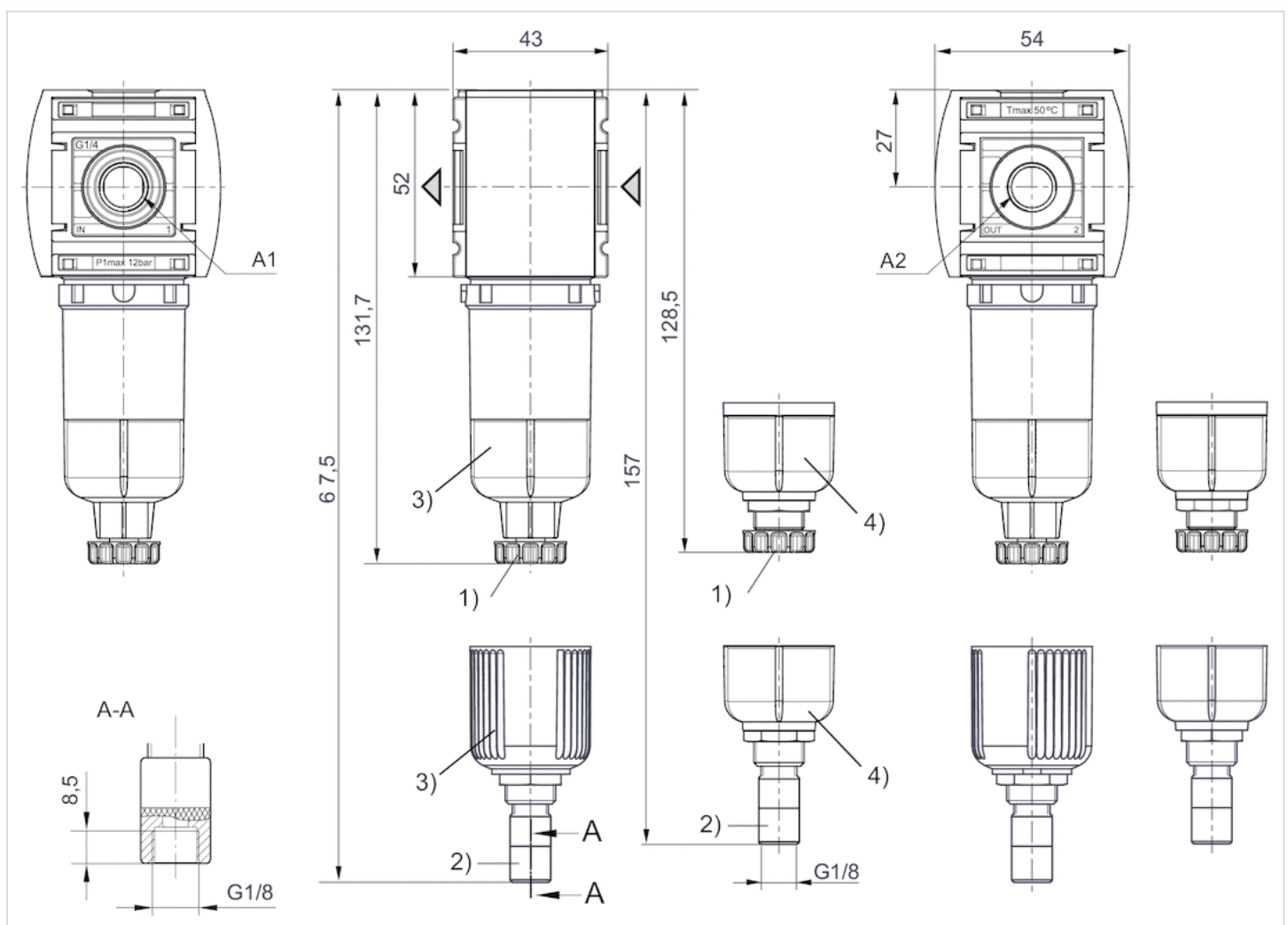
Max. achievable compressed air class acc. to ISO 8573-1:2010 1 : - : 2

Technical information

Material	
Housing	Polyamide
Front plate	Acrylonitrile butadiene styrene
Seals	Acrylonitrile butadiene rubber
Threaded bushing	Die cast zinc
Reservoir	Polycarbonate metal
Protective guard	metal
Filter insert	Borosilicate aluminum

Dimensions

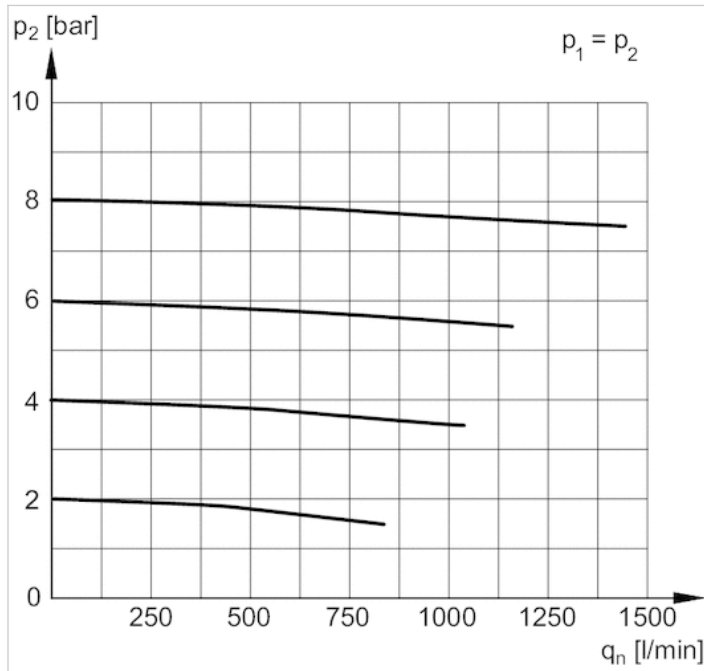
Dimensions



- A1 = input
A2 = output
- 1) Semi-automatic condensate drain
 - 2) Fully automatic condensate drain
 - 3) Reservoir: polycarbonate
 - 4) Reservoir: metal

Diagrams

Flow rate characteristic



p_1 = Working pressure p_2 = Secondary pressure q_n = Nominal flow