

Active carbon filter, Series AS1-FLA

- G 1/4
- Air supply right



Version	Active carbon filter, Can be assembled into blocks
Parts	Active carbon filter
Mounting orientation	vertical
Working pressure min./max.	0 ... 12 bar
Ambient temperature min./max.	-10 ... 50 °C
Medium temperature min./max.	-10 ... 50 °C
Medium	Compressed air Neutral gases
Filter reservoir volume	12 cm ³
Filter element	exchangeable
Weight	See table

Technical data

Part No.	Port	Qn	Reservoir	Protective guard	Weight
R412014699	G 1/4	350 l/min	Polycarbonate	-	0,171 kg
R412014700	G 1/4	350 l/min	Polycarbonate	metal	0,204 kg
R412014701	G 1/4	350 l/min	metal	-	0,232 kg

Technical information

The pressure dew point must be at least 15 °C under ambient and medium temperature and may not exceed 3 °C .
Note: Polycarbonate reservoirs are susceptible to solvents, supplementary information can be found at "Customer information".

Recommended pre-filtering 0,01 µm

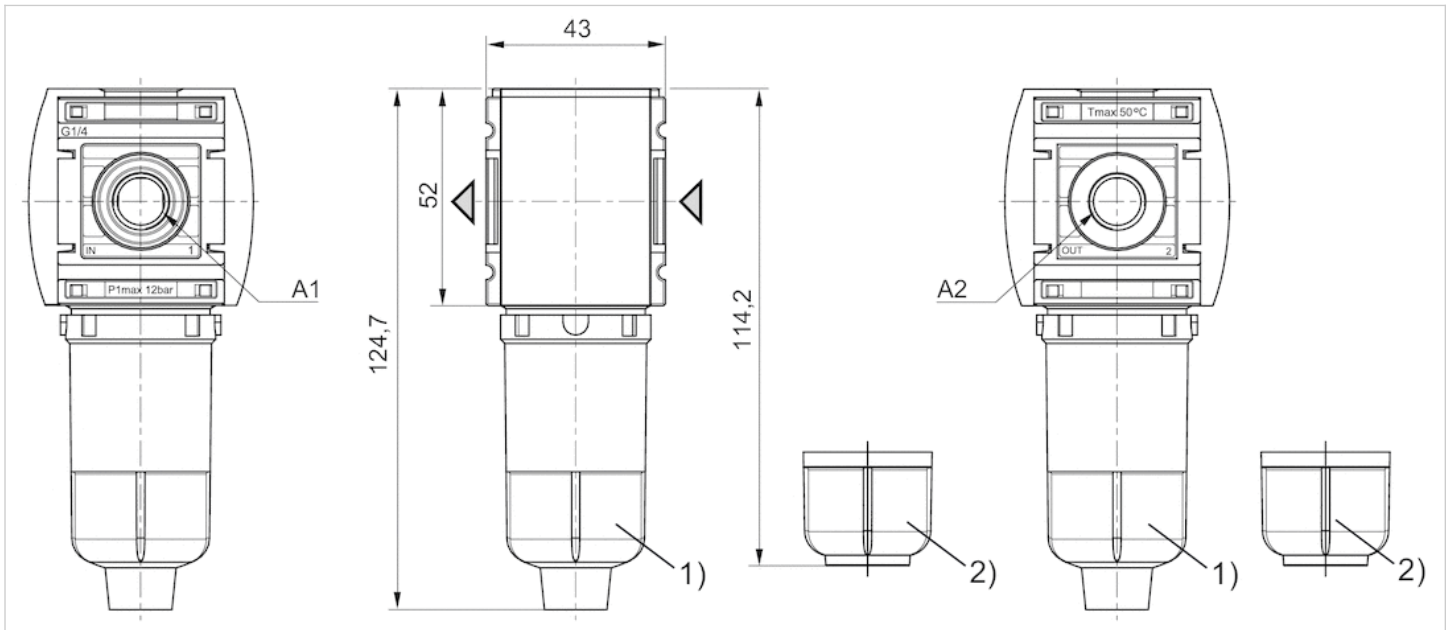
Max. achievable compressed air class acc. to ISO 8573-1:2010 - : - : 1

Technical information

Material	
Housing	Polyamide
Front plate	Acrylonitrile butadiene styrene
Seals	Acrylonitrile butadiene rubber
Threaded bushing	Die cast zinc
Reservoir	Polycarbonate metal
Protective guard	metal
Filter insert	Active carbon

Dimensions

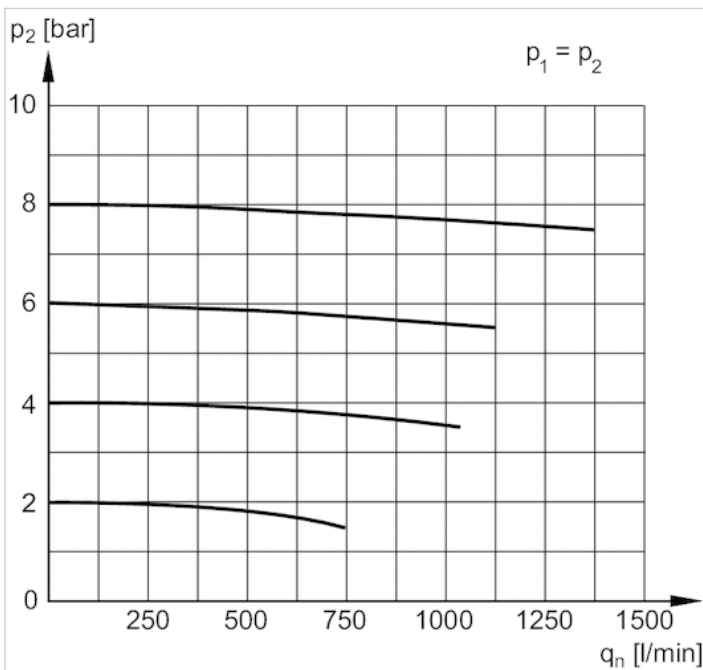
Dimensions



- A1 = input
- A2 = output
- 1) Reservoir: polycarbonate
- 2) Reservoir: metal

Diagrams

Flow rate characteristic



p_1 = Working pressure
 p_2 = Secondary pressure
 q_n = Nominal flow