

# Distributor, Series AS1-DIN

- G 1/4
- Air supply left
- Distributor 1x
- Non-return valve



Version	Non-return valve, Can be assembled into blocks
Parts	Distributor
Mounting orientation	Any
Working pressure min./max.	0 ... 12 bar
Ambient temperature min./max.	-10 ... 50 °C
Medium temperature min./max.	-10 ... 50 °C
Medium	Compressed air Neutral gases
Weight	0,178 kg

## Technical data

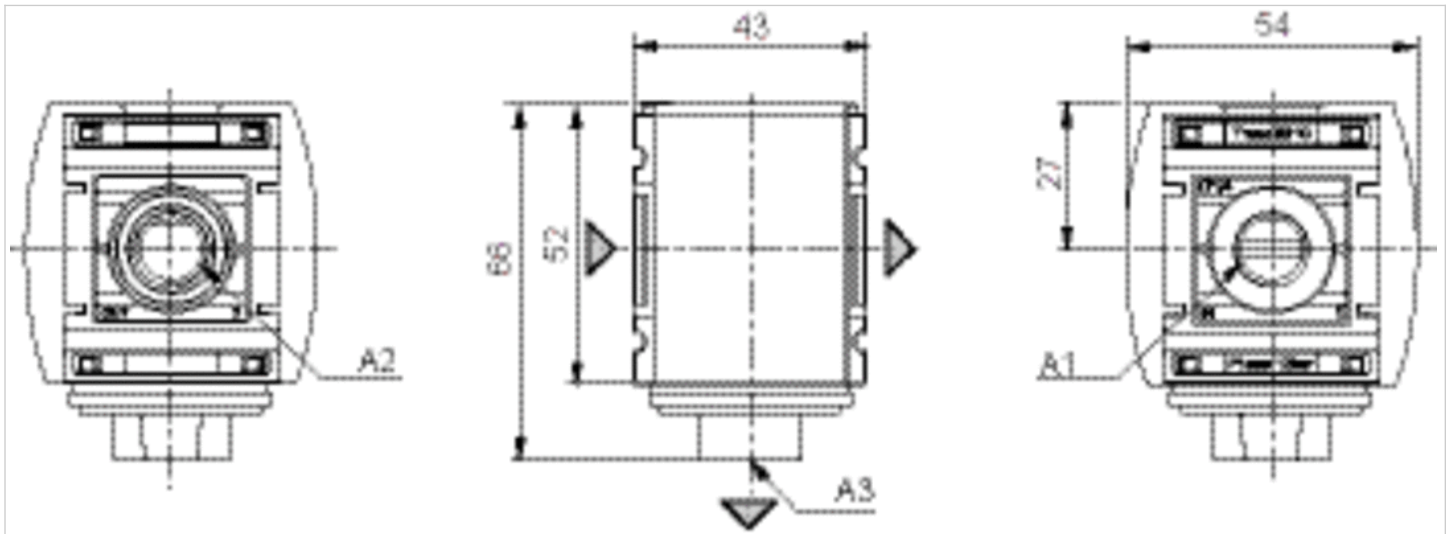
Part No.	Port	Nominal flow	
		Qn 1→2	Qn 1→3
R412014663	G 1/4	800 l/min	1000 l/min

## Technical information

Material	
Housing	Polyamide
Front plate	Acrylonitrile butadiene styrene
Seals	Acrylonitrile butadiene rubber

## Dimensions

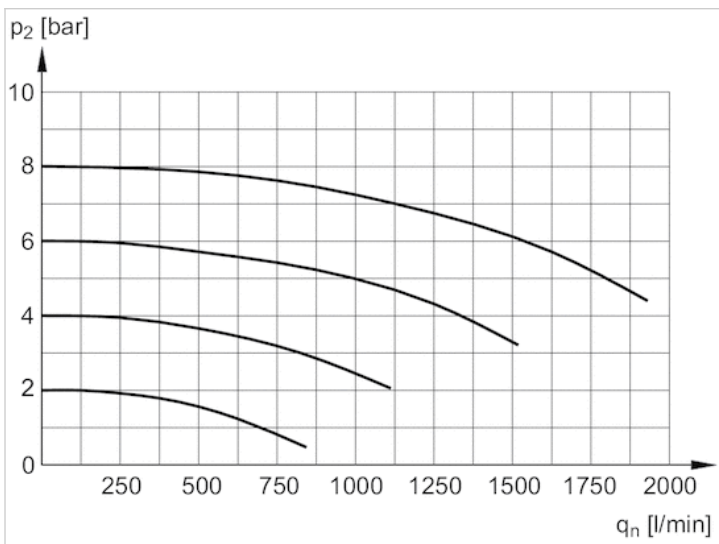
### Dimensions



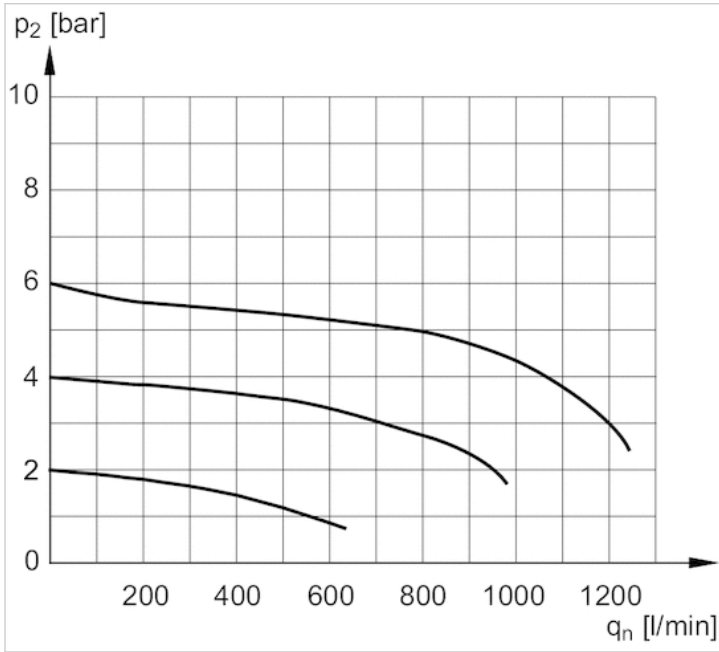
A1 = input  
A2 = output  
A3 = output

## Diagrams

### Flow rate characteristic



Nominal flow 1  $\rightarrow$  2  
 $p_2$  = secondary pressure  $q_n$  = nominal flow



Nominal flow 1 ▶ 3

$p_2$  = secondary pressure  $q_n$  = nominal flow