

# Pressure regulator, Series AS1-RGS

- G 1/4
- Air supply left
- Qn = 1000 l/min
- Standard pressure regulator
- Activation Manual
- with pressure gauge in hand wheel



Parts	Pressure regulator
Mounting orientation	Any
Working pressure min./max.	See table
Ambient temperature min./max.	-10 ... 50 °C
Medium temperature min./max.	-10 ... 50 °C
Medium	Compressed air Neutral gases
Regulator type	Diaphragm-type pressure regulator Can be assembled into blocks
Regulator function	with relieving air exhaust
Adjustment range min./max.	See table
Activation	Manual
Weight	0,239 kg

## Technical data

Part No.	Port	Flow Qn	Working pressure min./max.	Adjustment range min./max.
R412014640	G 1/4	1000 l/min	0,5 ... 12 bar	0,5 ... 8 bar
R412014641	G 1/4	1000 l/min	0,5 ... 12 bar	0,5 ... 10 bar

Part No.	Pressure gauge
R412014639	with pressure gauge in hand wheel
R412014640	with pressure gauge in hand wheel
R412014641	with pressure gauge in hand wheel

## Technical information

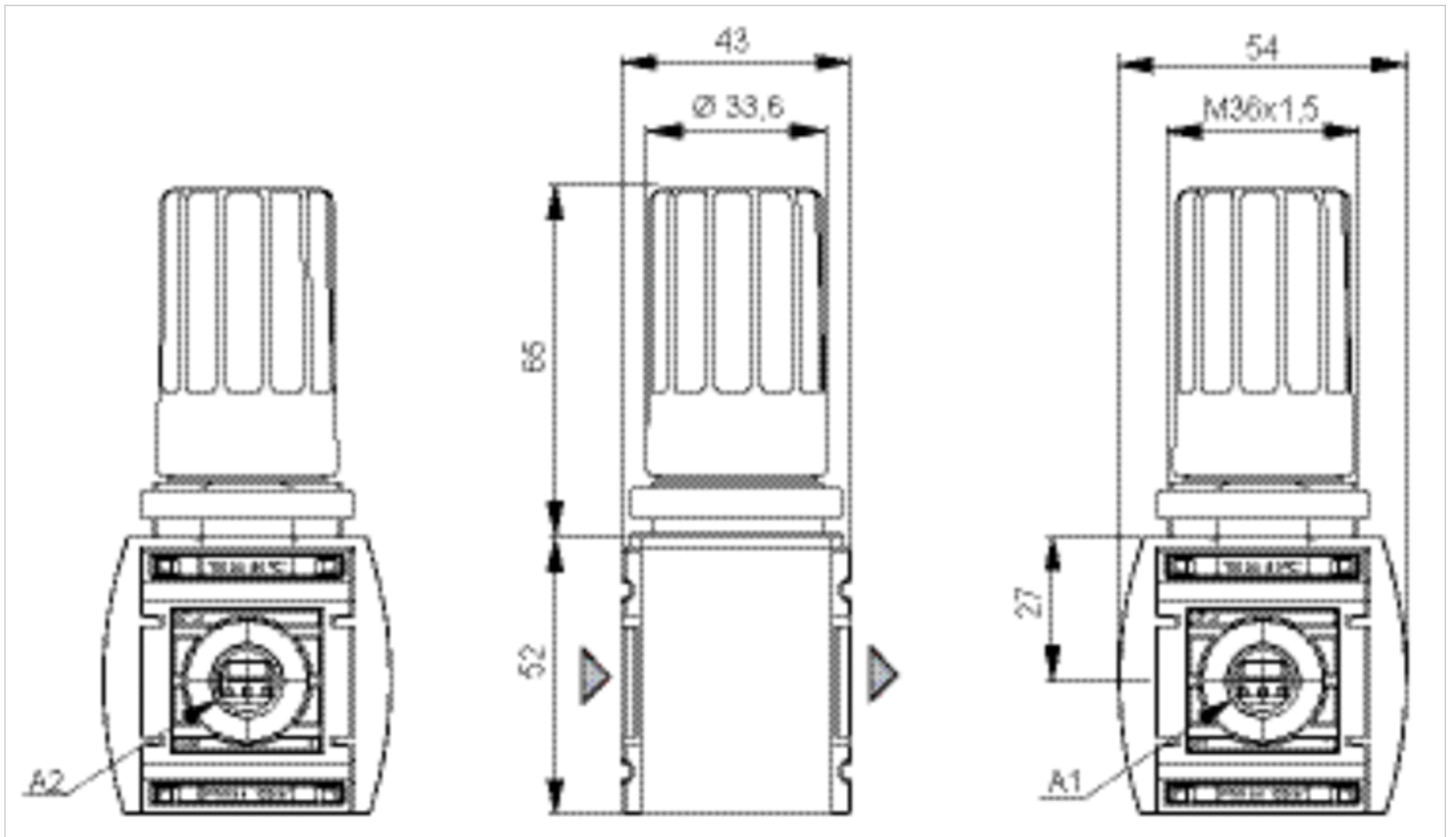
The pressure dew point must be at least 15 °C under ambient and medium temperature and may not exceed 3 °C .  
Relieving exhaust ( $\leq 0.3$  bar over set pressure)  
With rear exhaust ( $> 3$  bar )

## Technical information

Material	
Housing	Polyamide
Front plate	Acrylonitrile butadiene styrene
Seals	Acrylonitrile butadiene rubber

## Dimensions

### Dimensions



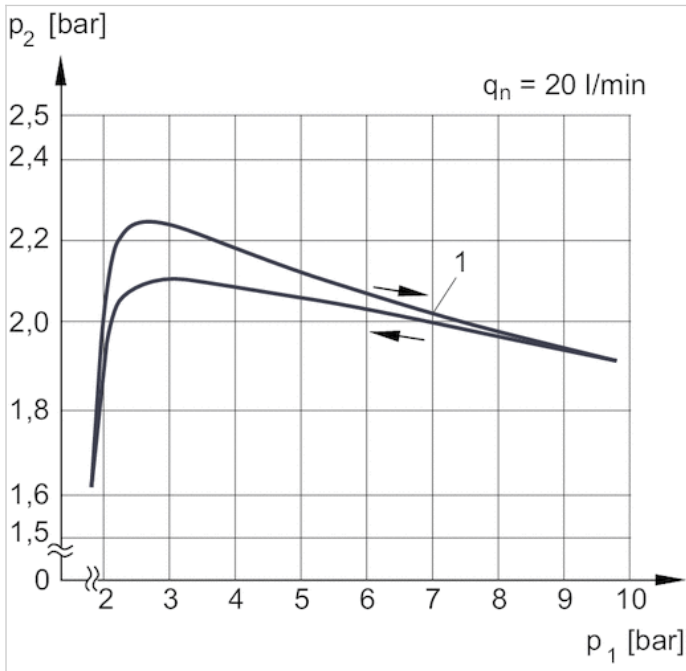
A1 = input

A2 = output

Panel nut included in scope of delivery

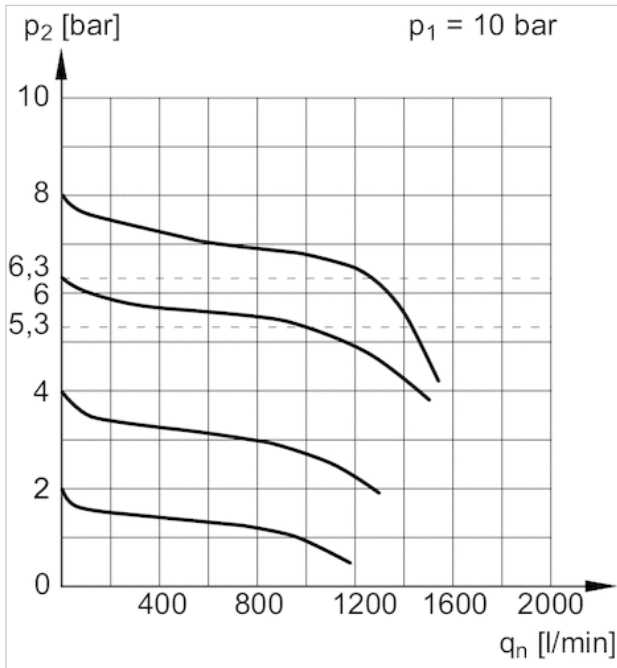
# Diagrams

## Pressure characteristics curve



$p_1$  = Working pressure  
 $p_2$  = Secondary pressure  
 $q_n$  = Nominal flow  
1) = Starting point

## Flow rate characteristic



$p_1$  = Working pressure  
 $p_2$  = Secondary pressure  
 $q_n$  = Nominal flow