

3/2-shut-off valve, mechanically operated, Series AS1-BAV

- G 1/4
- Air supply left
- lockable
- for padlocks



Version	Ball valve
Activation	Mechanical
Lock type	lockable
Actuating element	rotary switch
Working pressure min./max.	0 ... 12 bar
Ambient temperature min./max.	-10 ... 50 °C
Medium temperature min./max.	-10 ... 50 °C
Medium	Compressed air Neutral gases
Max. particle size	25 µm
Weight	0,15 kg

Technical data

Part No.	Compressed air connection	
	Input	Output
R412014664	G 1/4	G 1/4

Part No.	Compressed air connection		Flow	Flow	Lock type
	Exhaust	Qn 1 ▶ 2			
R412014664	G 1/4	2600 l/min	330 l/min	for padlocks	

Technical information

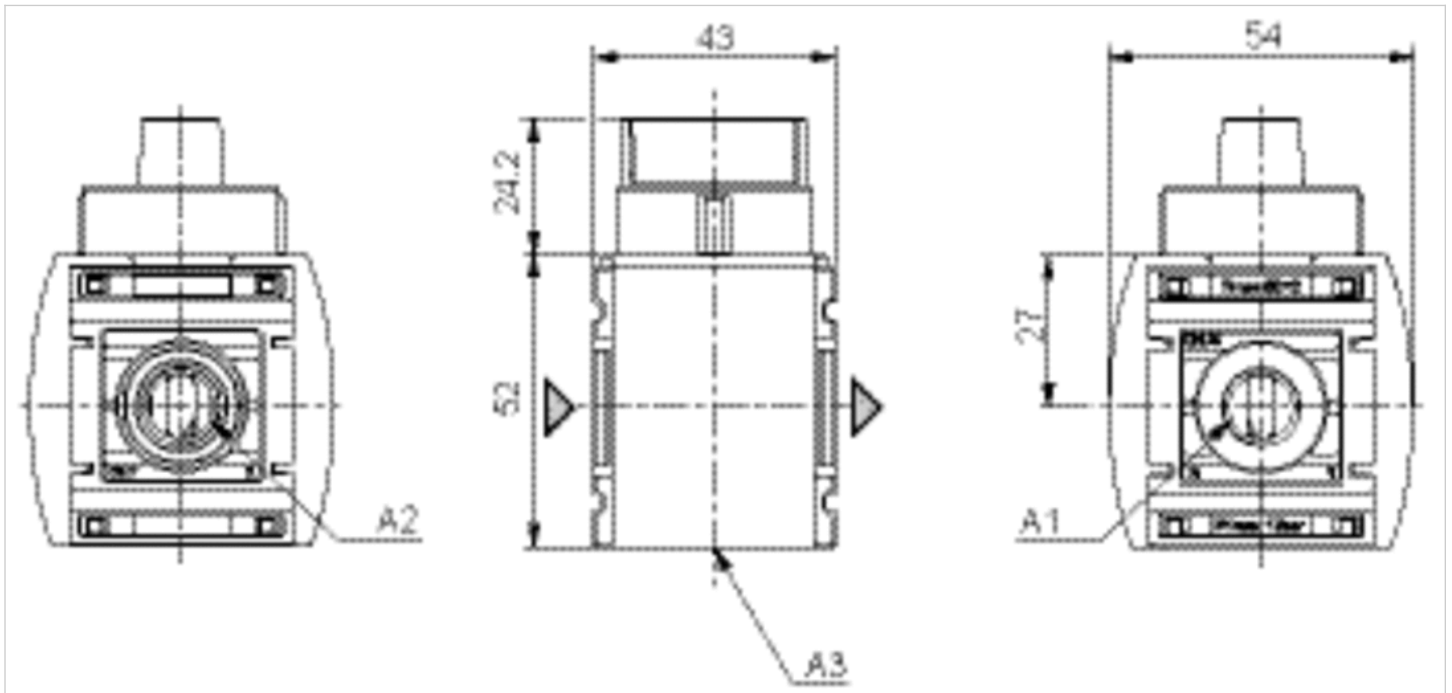
The pressure dew point must be at least 15 °C under ambient and medium temperature and may not exceed 3 °C .

Technical information

Material	
Housing	Polyamide
Front plate	Acrylonitrile butadiene styrene
Seals	Acrylonitrile butadiene rubber
Actuating element	Polyoxymethylene

Dimensions

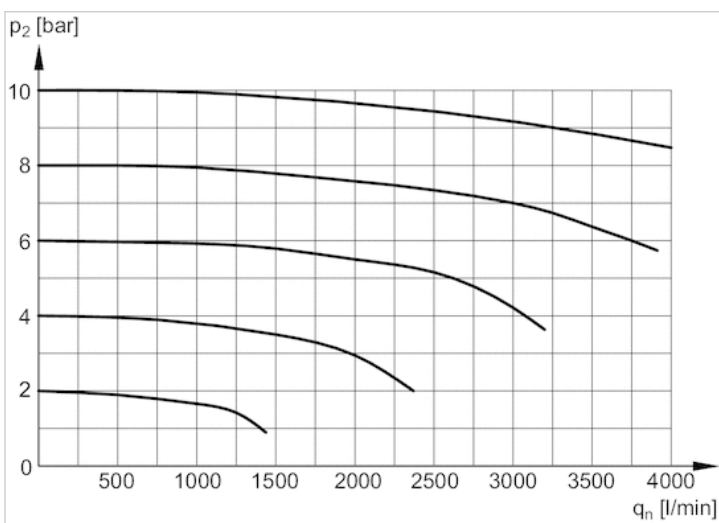
Dimensions



A1 = input
A2 = output
A3 = ventilation port

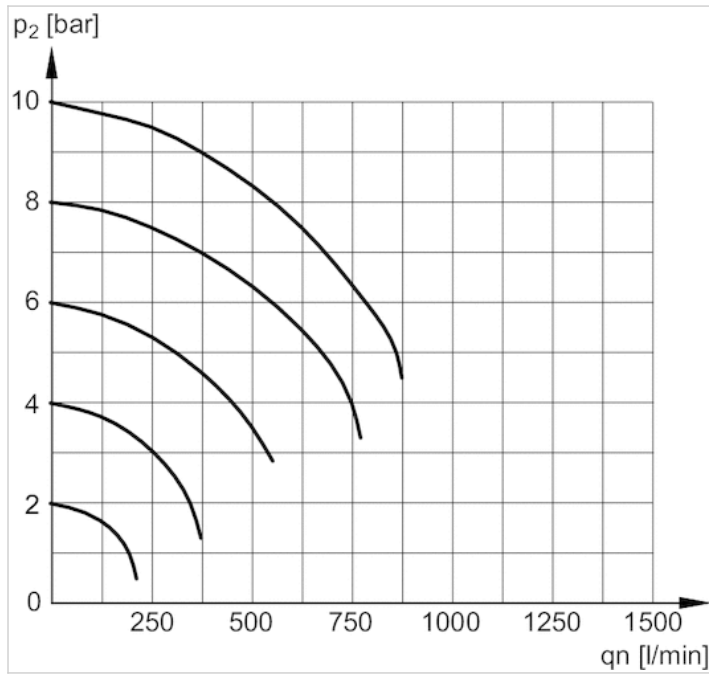
Diagrams

Flow rate characteristic



p_2 = secondary pressure
 q_n = nominal flow

Rear exhaust



p2 = secondary pressure
qn = nominal flow