

Filling valve, Series AS1-SSV

- adjustable filling time
- Compressed air connection G 1/4
- Air supply right
- Pipe connection



Version	Poppet valve, Can be assembled into blocks
Sealing principle	Soft sealing
Working pressure min./max.	0 ... 16 bar
Control pressure min./max.	2,5 ... 16 bar
Ambient temperature min./max.	-10 ... 50 °C
Medium temperature min./max.	-10 ... 50 °C
Medium	Compressed air Neutral gases
Max. particle size	40 µm
Weight	0,134 kg

Technical data

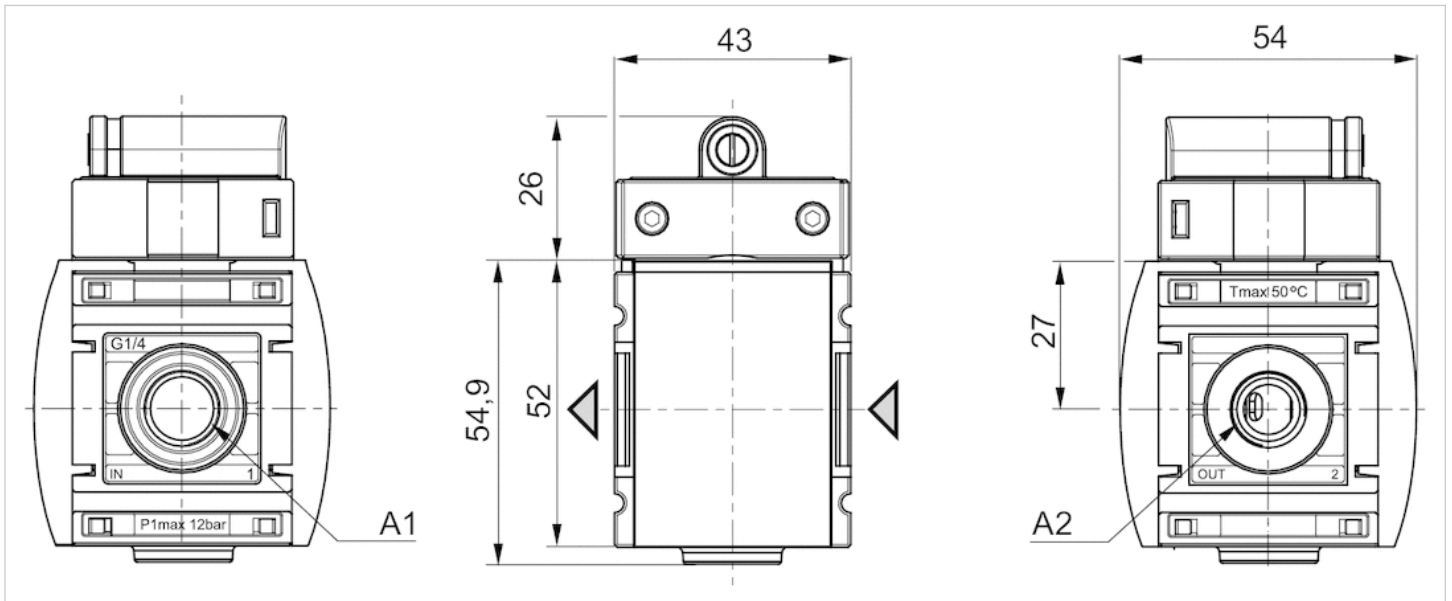
Part No.	Port	Flow	Flow
		Qn	Qn 1→2
R412014749	G 1/4	2000 l/min	2000 l/min

Technical information

Material	
Housing	Polyamide
Front plate	Acrylonitrile butadiene styrene
Seals	Acrylonitrile butadiene rubber
Threaded bushing	Die cast zinc

Dimensions

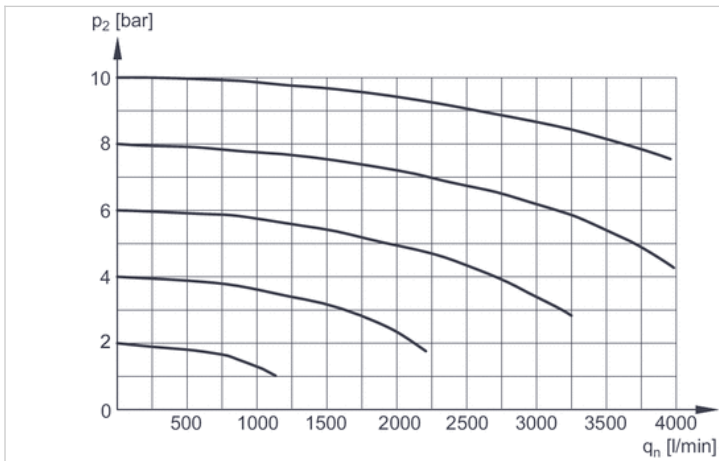
Dimensions



A1 = input
A2 = output

Diagrams

Flow rate characteristic



p2 = secondary pressure
qn = nominal flow