

# Pressure gauge, Series PG1-INT

- flange version
- Background color White
- Scale color Black
- Viewing window Polycarbonate
- Units bar



Version	Diaphragm pressure gauge
Ambient temperature min./max.	0 ... 60 °C
Medium	Compressed air
Main scale unit (outside)	bar
Main scale color (outside)	Black
Background color	White
Pointer color	Black
Weight	0,024 kg

## Technical data

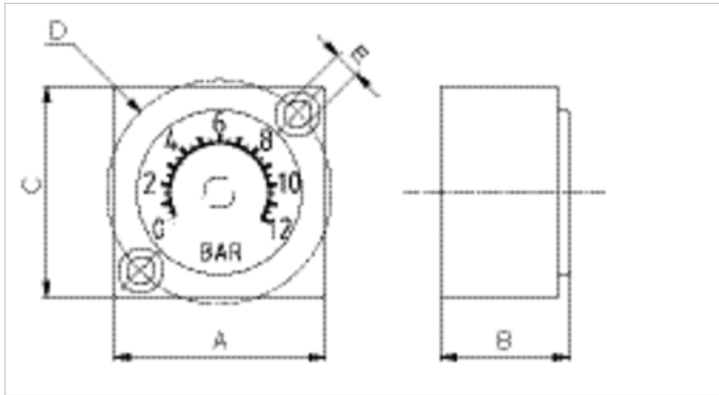
Part No.	Range of application	Display range	Operating pressure	Scale value
R412014760	0 ... 6	0 ... 6	0 ... 6 bar	0,25
R412014761	0 ... 12	0 ... 12	0 ... 12 bar	0,25

## Technical information

Material	
Housing	Polyamide
Viewing window	Polycarbonate
Seal	Nitrile butadiene rubber

## Dimensions

### Dimensions



### Dimensions in mm

Part No.	A	B	C	D	E
R412014760	27	16.5	27	28.3	3.3
R412014761	27	16.5	27	28.3	3.3