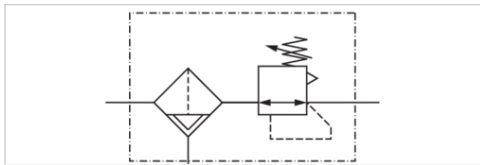


# Filter pressure regulator, Series AS2-FRE-...-E11

- G 1/4
- filter porosity 40 µm
- lockable
- with E11 locking



Version	1-in-1, Can be assembled into blocks
Parts	Filter pressure regulator
Mounting orientation	vertical
Working pressure min./max.	0 ... 16 bar
Ambient temperature min./max.	-10 ... 50 °C
Medium temperature min./max.	-10 ... 50 °C
Medium	Compressed air Neutral gases
Nominal flow Qn	2100 l/min
Regulator type	Diaphragm-type pressure regulator
Regulator function	with relieving air exhaust
Adjustment range min./max.	0,5 ... 10 bar
Pressure supply	single
Filter reservoir volume	28 cm <sup>3</sup>
Filter element	exchangeable
Condensate drain	fully automatic, closed without pressure
Weight	0,347 kg

## Technical data

Part No.	Port	Flow	Condensate drain
		Qn	
R412006188	G 1/4	2100 l/min	fully automatic, closed without pressure

## Technical information

The pressure dew point must be at least 15 °C under ambient and medium temperature and may not exceed 3 °C .

The E11 locking is delivered without a key (see accessories for keys).

Note: Polycarbonate reservoirs are susceptible to solvents, supplementary information can be found at "Customer information".

A change in the flow direction (from air supply on the left to air supply on the right) occurs by rotating installation by 180° about the vertical axis. Please see the operating instructions for further details.

Also suitable for separation of fluid oil or water due to the design.

Max. residual oil content acc. to ISO 8573-1 at the outlet 10 mg/m<sup>3</sup>

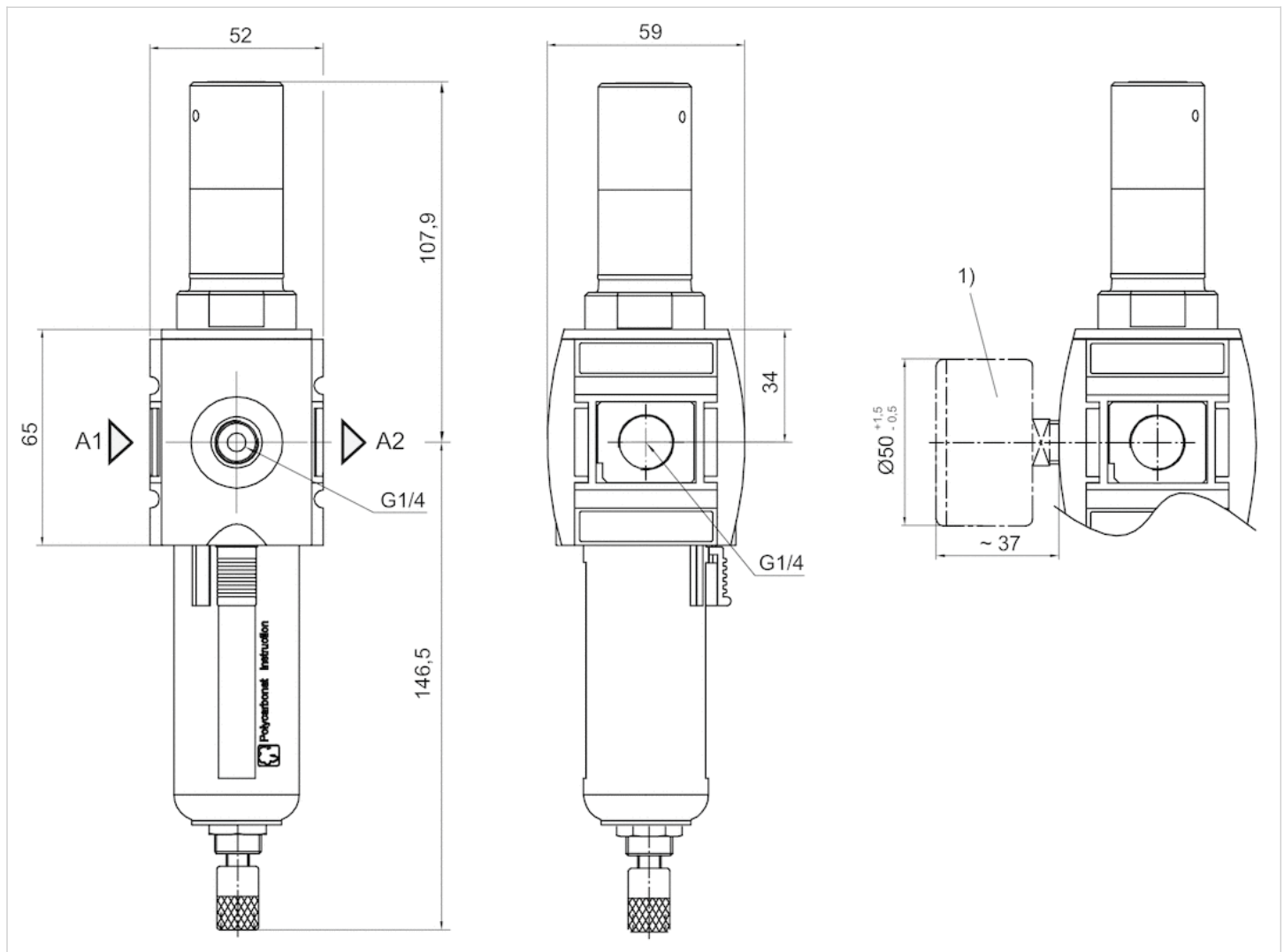
## Technical information

Material	
Housing	Polyamide
Front plate	Acrylonitrile butadiene styrene
Seals	Acrylonitrile butadiene rubber
Threaded bushing	Die cast zinc

Material	
Reservoir	Polycarbonate
Protective guard	Polyamide
Filter insert	Polyethylene

## Dimensions

### Dimensions

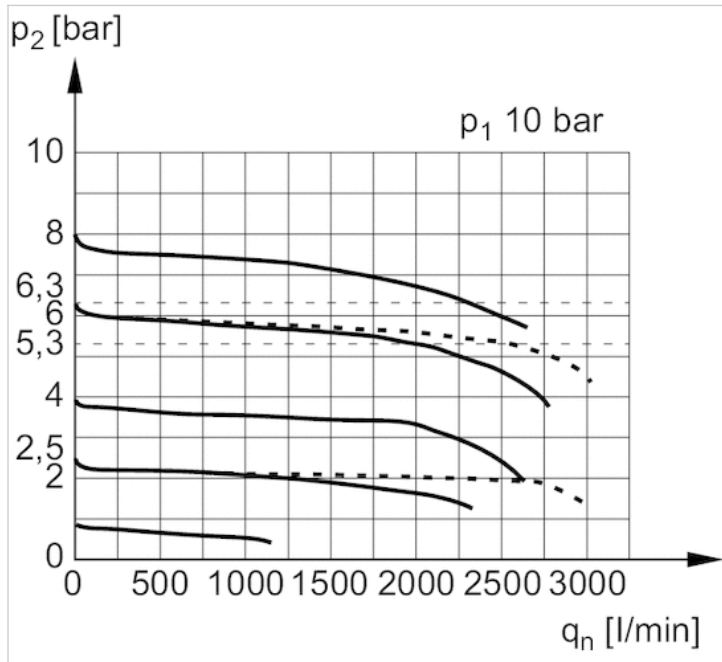


A1 = input A2 = output

1) Order pressure gauge separately

# Diagrams

## Flow rate characteristic



$p_1$  = Working pressure  
 $p_2$  = Secondary pressure  
 $q_n$  = Nominal flow