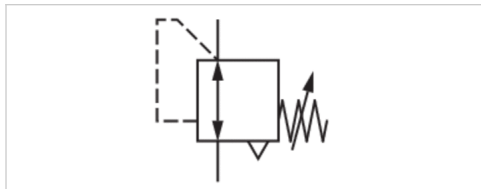


Pressure regulator, Series AS2-RGS-...-DS

- G 1/4 G 3/8
- Qn = 2200-2700 l/min
- Standard pressure regulator
- Activation Mechanical
- with continuous pressure supply
- lockable
- for padlocks
- suitable for ATEX



Parts

Mounting orientation

Certificates

Working pressure min./max.

Ambient temperature min./max.

Medium temperature min./max.

Medium

Regulator type

Regulator function

Adjustment range min./max.

Lock type

Pressure supply

Activation

Weight

Pressure regulator with continuous pressure supply

Any

suitable for ATEX

See table below

-10 ... 50 °C

-10 ... 50 °C

Compressed air Neutral gases

Diaphragm-type pressure regulator Can be assembled into blocks with relieving air exhaust

See table below

for padlocks

double

Mechanical

0,248 kg

Technical data

Part No.	Port	Flow	Working pressure min./max.	Adjustment range min./max.
		Qn		
R412006124	G 1/4	2200 l/min	0,1 ... 16 bar	0,1 ... 1 bar
R412006125	G 1/4	2200 l/min	0,1 ... 16 bar	0,1 ... 2 bar
R412006126	G 1/4	2200 l/min	0,2 ... 16 bar	0,2 ... 4 bar
R412006127	G 1/4	2200 l/min	0,5 ... 16 bar	0,5 ... 8 bar
R412006128	G 1/4	2200 l/min	0,5 ... 16 bar	0,5 ... 10 bar
R412006129	G 1/4	2200 l/min	0,5 ... 16 bar	0,5 ... 16 bar
R412006130	G 3/8	2700 l/min	0,1 ... 16 bar	0,1 ... 1 bar
R412006131	G 3/8	2700 l/min	0,1 ... 16 bar	0,1 ... 2 bar
R412006132	G 3/8	2700 l/min	0,2 ... 16 bar	0,2 ... 4 bar
R412006133	G 3/8	2700 l/min	0,5 ... 16 bar	0,5 ... 8 bar
R412006134	G 3/8	2700 l/min	0,5 ... 16 bar	0,5 ... 10 bar
R412006135	G 3/8	2700 l/min	0,5 ... 16 bar	0,5 ... 16 bar

Part No.	Max. pressure gauge Ø in blocked state
R412006124	50 mm

Part No.	Max. pressure gauge Ø in blocked state
R412006125	50 mm
R412006126	50 mm
R412006127	50 mm
R412006128	50 mm
R412006129	50 mm
R412006130	50 mm
R412006131	50 mm
R412006132	50 mm
R412006133	50 mm
R412006134	50 mm
R412006135	50 mm

Nominal flow Q_n with secondary pressure $p_2 = 6$ bar at $\Delta p = 1$ bar

Order pressure gauge separately, Suitable for use in Ex zones 1, 2, 21, 22

Technical information

The pressure dew point must be at least 15 °C under ambient and medium temperature and may not exceed 3 °C .

The rear pressure gauge connection on the pressure regulator is closed with a blanking plug, the front connection is open. Depending on the customer application, a second blanking plug may be necessary. Please order separately (see accessories).

Suitable for use in Ex zones 1, 2, 21, 22

Relieving exhaust (≤ 0.3 bar over set pressure)

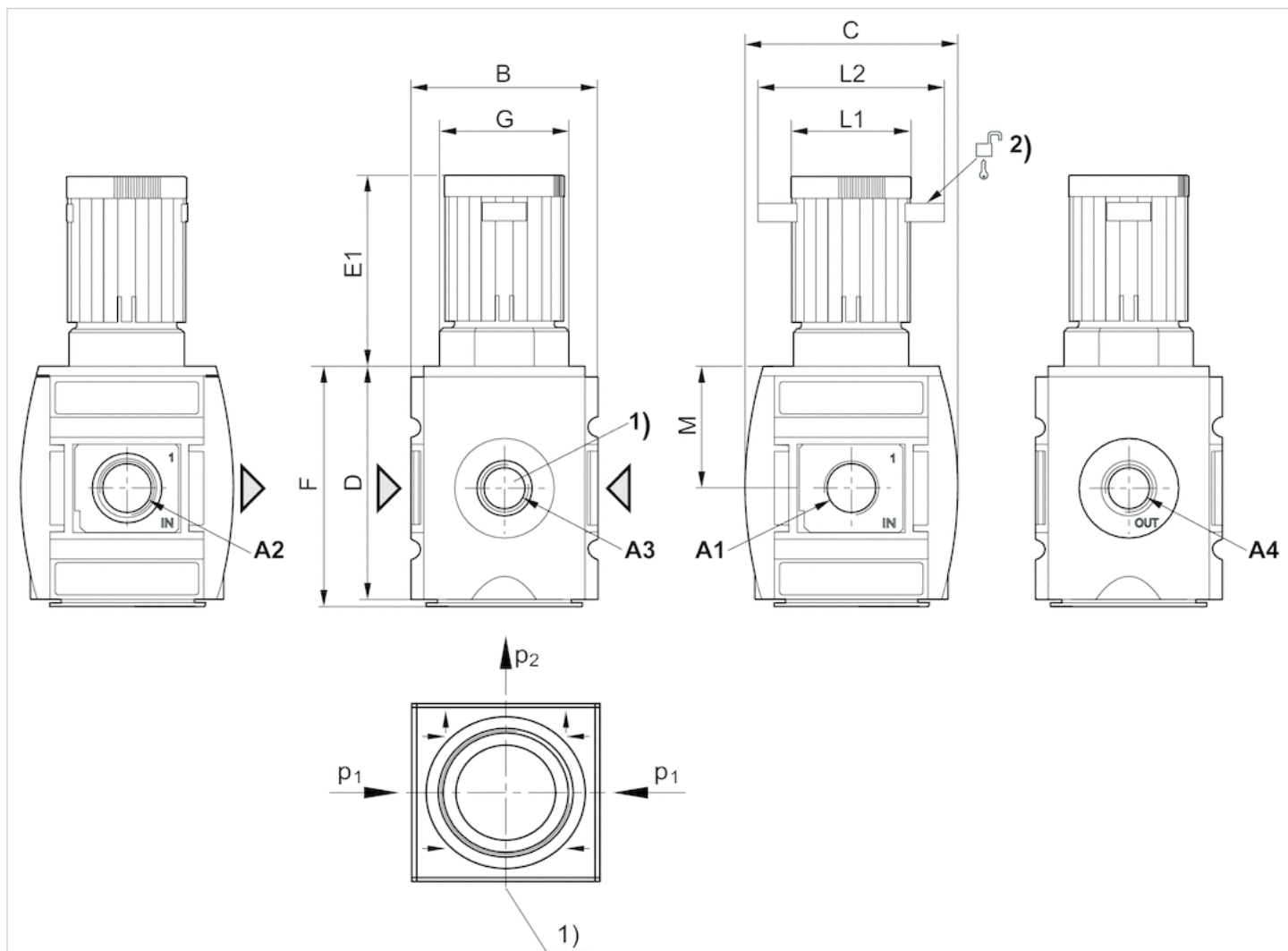
With rear exhaust (> 3 bar)

Technical information

Material	
Housing	Polyamide
Front plate	Acrylonitrile butadiene styrene
Seals	Acrylonitrile butadiene rubber
Threaded bushing	Die cast zinc

Dimensions

Dimensions



A1 = input A2 = output A3 = pressure gauge connection

A4 = output

1) Pressure gauge connection

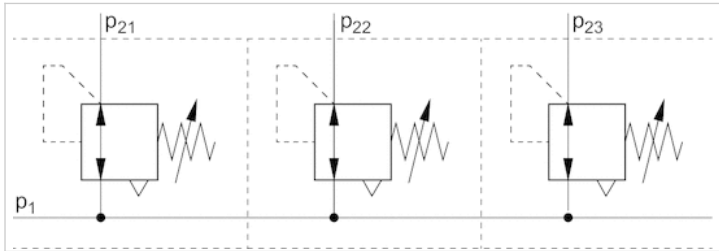
2) Mounting option for padlocks; max. shackle Ø 8

Dimensions in mm

A1	A2	A3	A4	B	C	D	E1	F	G	L1	L2	M
G 1/4	G 1/4	G 1/4	G 1/4	52	59	65	57.9	66.8	M36x1,5	34	54	34
G 3/8	G 3/8	G 1/4	G 1/4	52	59	65	57.9	66.8	M36x1,5	34	54	34

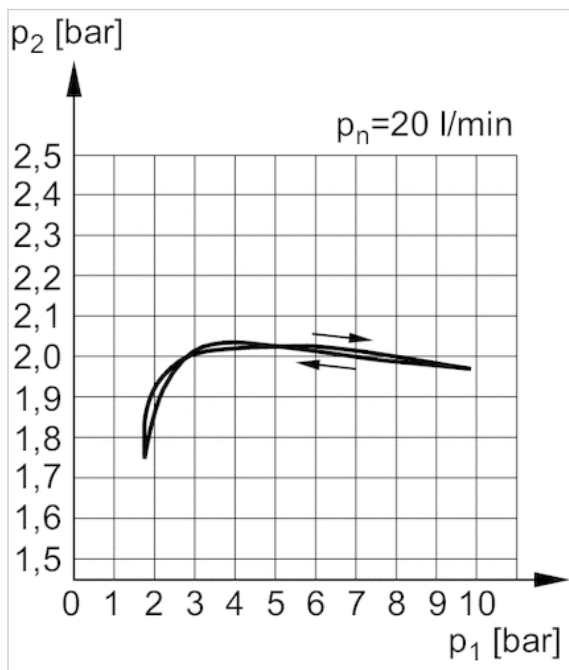
Diagrams

Application example



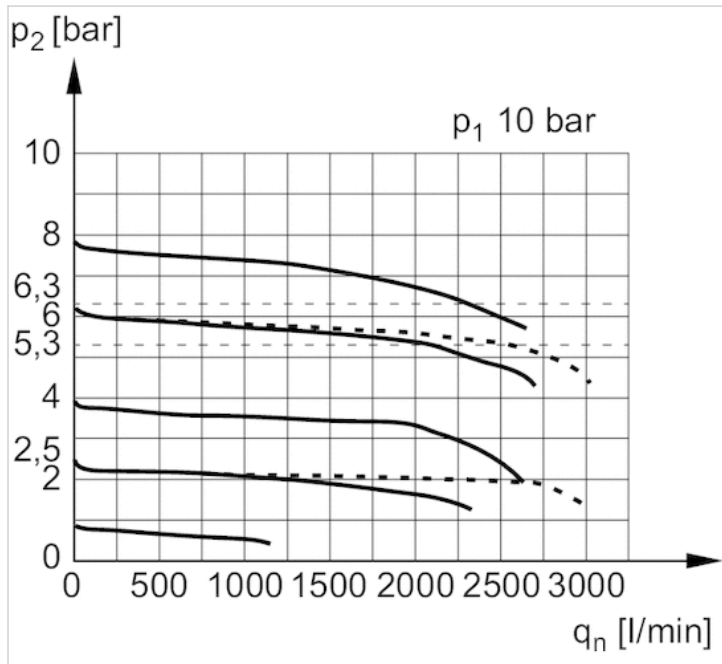
p_1 = working pressure
 p_{21} ; p_{22} ; p_{23} = secondary pressure

Pressure characteristics curve



p_1 = Working pressure p_2 = Secondary pressure p_n = Nominal flow

Flow rate characteristic p2: 05 - 10 bar



p_1 = Working pressure p_2 = Secondary pressure q_n = Nominal flow