

Precision pressure regulator, Series AS2-RGP-...-E11

- G 1/4
- Qn = 2200 l/min
- Precision pressure regulator
- Activation Mechanical
- lockable
- with E11 locking



Parts	Precision pressure regulator
Mounting orientation	Any
Working pressure min./max.	0,2 ... 16 bar
Ambient temperature min./max.	-10 ... 50 °C
Medium temperature min./max.	-10 ... 50 °C
Medium	Compressed air Neutral gases
Regulator type	Diaphragm-type pressure regulator Can be assembled into blocks with relieving air exhaust
Regulator function	
Adjustment range min./max.	0,2 ... 4 bar
Lock type	with E11 locking
Pressure supply	single
Activation	Mechanical
Internal air consumption q max.	2,6 l/min
Weight	0,248 kg

Technical data

Part No.	Port	Flow
		Qn
R412006146	G 1/4	2200 l/min

Technical information

The pressure dew point must be at least 15 °C under ambient and medium temperature and may not exceed 3 °C .

Recommended pre-filter: 5 µm

The E11 locking is delivered without a key (see accessories for keys).

The rear pressure gauge connection on the pressure regulator is closed with a blanking plug, the front connection is open. Depending on the customer application, a second blanking plug may be necessary. Please order separately (see accessories).

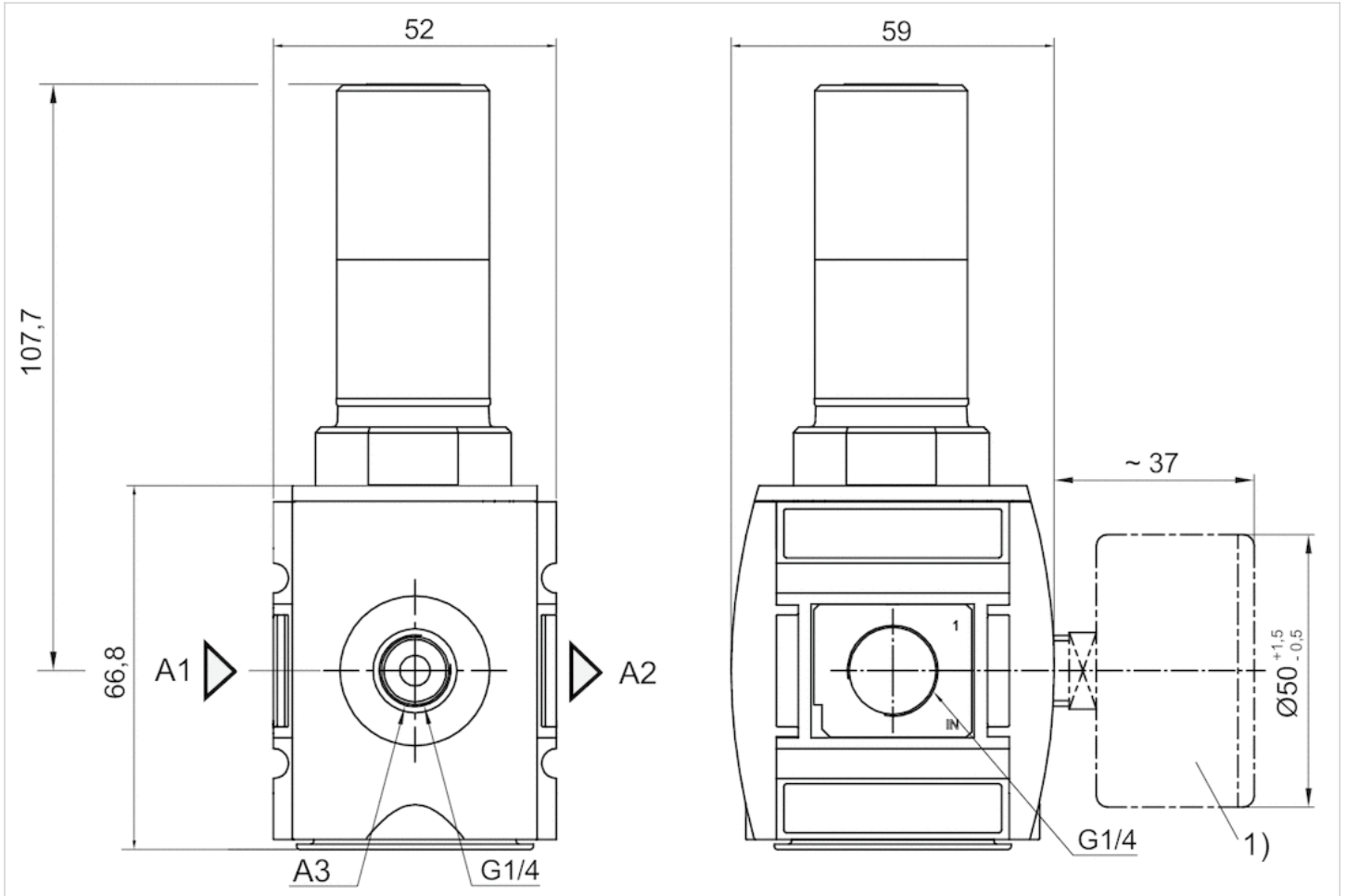
A change in the flow direction (from air supply on the left to air supply on the right) occurs by rotating installation by 180° about the vertical axis. Please see the operating instructions for further details.

Technical information

Material	
Housing	Polyamide
Front plate	Acrylonitrile butadiene styrene
Seals	Acrylonitrile butadiene rubber
Threaded bushing	Die cast zinc

Dimensions

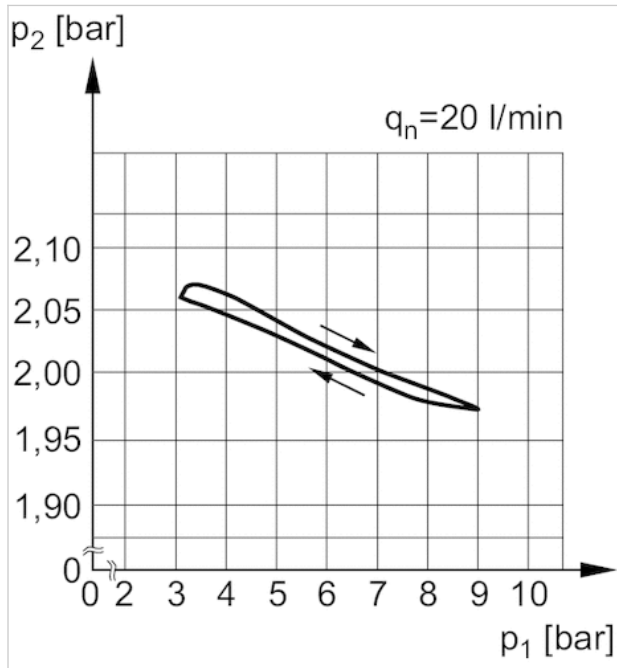
Dimensions



A1 = input A2 = output A3 = pressure gauge connection

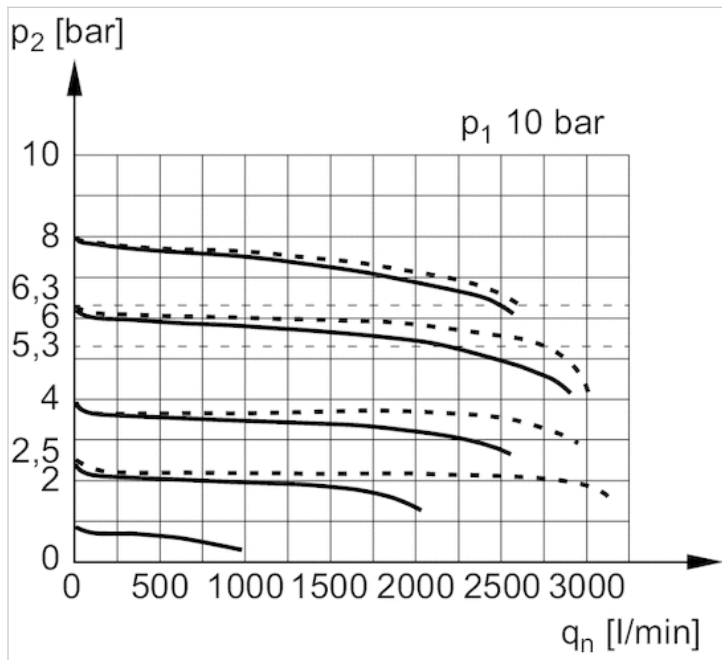
Diagrams

Pressure characteristics curve



p_1 = working pressure p_2 = secondary pressure q_n = flow rate

Flow rate characteristic (p_2 : 0,5 - 8 bar)



p_1 = Working pressure p_2 = Secondary pressure q_n = Nominal flow