

# Microfilter, Series AS2-FLC

- G 1/4
- filter porosity 0,01 µm
- suitable for ATEX



Version	Microfilter, Can be assembled into blocks
Parts	Microfilter
Mounting orientation	vertical
Certificates	suitable for ATEX
Working pressure min./max.	See table
Ambient temperature min./max.	-10 ... 50 °C
Medium temperature min./max.	-10 ... 50 °C
Medium	Compressed air Neutral gases
Filter reservoir volume	12 cm <sup>3</sup>
Filter element	exchangeable
filter porosity	0,01 µm
Condensate drain	See table
Weight	See table

## Technical data

Part No.	Port	Qn	Working pressure min./max.	Condensate drain
R412006036	G 1/4	350 l/min	1,5 ... 16 bar	semi-automatic, open without pressure
R412006037	G 1/4	350 l/min	1,5 ... 16 bar	fully automatic, open without pressure
R412006038	G 1/4	350 l/min	0 ... 16 bar	fully automatic, closed without pressure
R412006042	G 1/4	350 l/min	1,5 ... 16 bar	semi-automatic, open without pressure
R412006043	G 1/4	350 l/min	1,5 ... 16 bar	fully automatic, open without pressure
R412006044	G 1/4	350 l/min	0 ... 16 bar	fully automatic, closed without pressure
R412006045	G 3/8	350 l/min	1,5 ... 16 bar	semi-automatic, open without pressure
R412006046	G 3/8	350 l/min	1,5 ... 16 bar	fully automatic, open without pressure
R412006047	G 3/8	350 l/min	0 ... 16 bar	fully automatic, closed without pressure
R412006051	G 3/8	350 l/min	1,5 ... 16 bar	semi-automatic, open without pressure
R412006052	G 3/8	350 l/min	1,5 ... 16 bar	fully automatic, open without pressure
R412006053	G 3/8	350 l/min	0 ... 16 bar	fully automatic, closed without pressure

Part No.	Reservoir	Protective guard	Weight
R412006036	Polycarbonate	Polyamide	0,22 kg
R412006037	Polycarbonate	Polyamide	0,263 kg
R412006038	Polycarbonate	Polyamide	0,263 kg
R412006042	Die cast zinc with window	-	0,482 kg
R412006043	Die cast zinc with window	-	0,565 kg
R412006044	Die cast zinc with window	-	0,56 kg
R412006045	Polycarbonate	Polyamide	0,22 kg
R412006046	Polycarbonate	Polyamide	0,263 kg
R412006047	Polycarbonate	Polyamide	0,263 kg
R412006051	Die cast zinc with window	-	0,471 kg
R412006052	Die cast zinc with window	-	0,545 kg

Part No.	Reservoir	Protective guard	Weight
R412006053	Die cast zinc with window	-	0,55 kg

## Technical information

The pressure dew point must be at least 15 °C under ambient and medium temperature and may not exceed 3 °C .

Note: Polycarbonate reservoirs are susceptible to solvents, supplementary information can be found at "Customer information".

Suitable for use in Ex zones 1, 2, 21, 22

A change in the flow direction (from air supply on the left to air supply on the right) occurs by rotating installation by 180° about the vertical axis. Please see the operating instructions for further details.

Also suitable for separation of fluid oil or water due to the design.

Recommended pre-filtering 0,3 µm

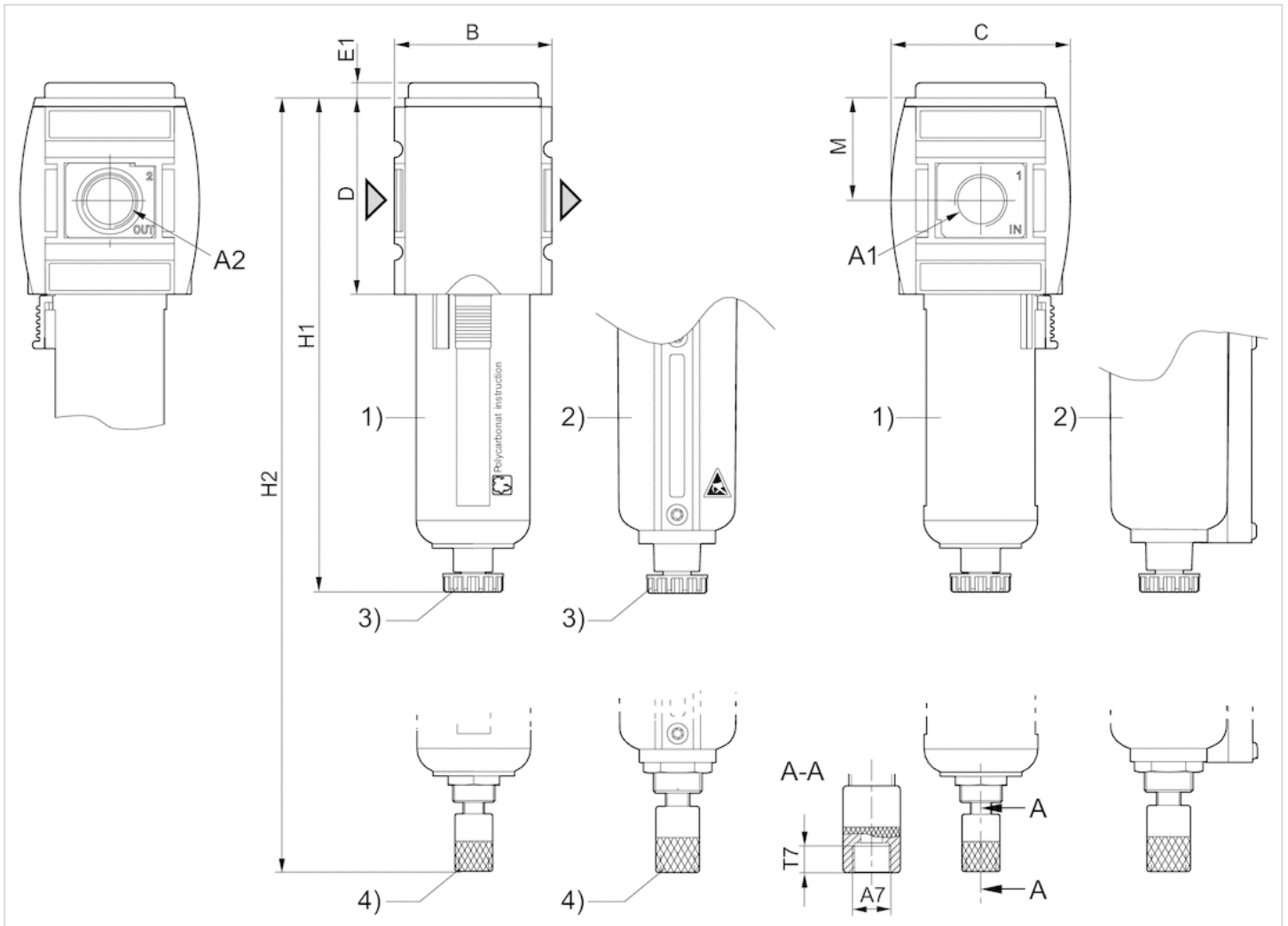
Max. achievable compressed air class acc. to ISO 8573-1:2010 1 : - : 2

## Technical information

Material	
Housing	Polyamide
Front plate	Acrylonitrile butadiene styrene
Seals	Acrylonitrile butadiene rubber
Threaded bushing	Die cast zinc
Reservoir	Polycarbonate Die cast zinc
Protective guard	Polyamide
Filter insert	Borosilicate glass fiber

# Dimensions

## Dimensions



A1 = input A2 = output

A7 = condensate drain

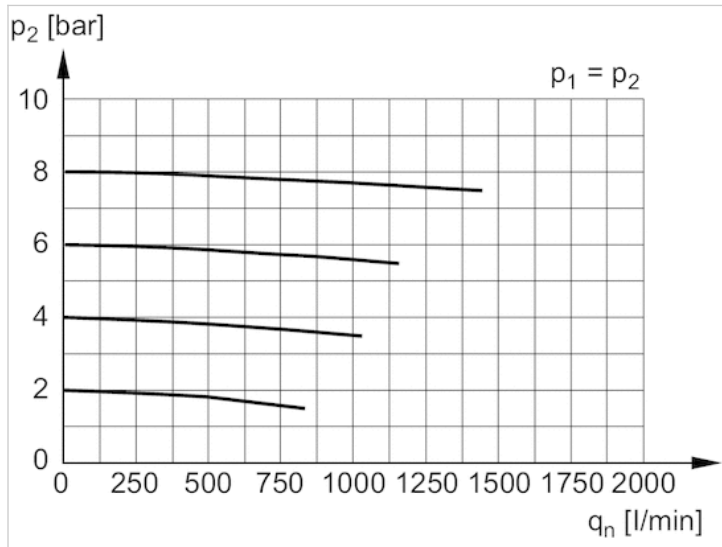
- 1) Plastic reservoir and protective guard with window
- 2) Metal reservoir with inspection glass
- 3) Semi-automatic condensate drain
- 4) Fully automatic condensate drain

## Dimensions in mm

A1	A2	A7	B	C	D	E1	H1	H2	M	T7
G 1/4	G 1/4	G 1/8	52	59	65	5	163.5	180.5	34	8.5
G 1/4	G 1/4	G 1/8	52	59	65	5	163.5	180.5	34	8.5
G 3/8	G 3/8	G 1/8	52	59	65	5	163.5	180.5	34	8.5

# Diagrams

## Flow rate characteristic



p1 = Working pressure p2 = Secondary pressure qn = Nominal flow