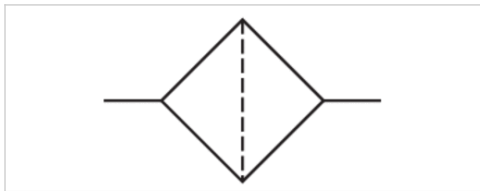


Active carbon filter, Series AS2-FLA

- G 1/4 G 3/8

- suitable for ATEX



Version	Active carbon filter, Can be assembled into blocks
Parts	Active carbon filter
Mounting orientation	vertical
Certificates	suitable for ATEX
Working pressure min./max.	0 ... 16 bar
Ambient temperature min./max.	-10 ... 50 °C
Medium temperature min./max.	-10 ... 50 °C
Medium	Compressed air Neutral gases
Filter reservoir volume	12 cm ³
Filter element	exchangeable
Condensate drain	without
Weight	See table below

Technical data

Part No.	Port	Qn	Reservoir	Protective guard	Weight
R412006072	G 1/4	650 l/min	Polycarbonate	Polyamide	0,22 kg
R412006074	G 1/4	650 l/min	Die cast zinc with window	-	0,454 kg
R412006075	G 3/8	650 l/min	Polycarbonate	Polyamide	0,22 kg
R412006077	G 3/8	650 l/min	Die cast zinc with window	-	0,44 kg

Nominal flow Qn with secondary pressure p₂ = 6 bar at Δp = 0.1 bar

Suitable for use in Ex zones 1, 2, 21, 22

Technical information

The pressure dew point must be at least 15 °C under ambient and medium temperature and may not exceed 3 °C .

Note: Polycarbonate reservoirs are susceptible to solvents, supplementary information can be found at "Customer information".

Suitable for use in Ex zones 1, 2, 21, 22

A change in the flow direction (from air supply on the left to air supply on the right) occurs by rotating installation by 180° about the vertical axis. Please see the operating instructions for further details.

Recommended pre-filtering 0,01 μm

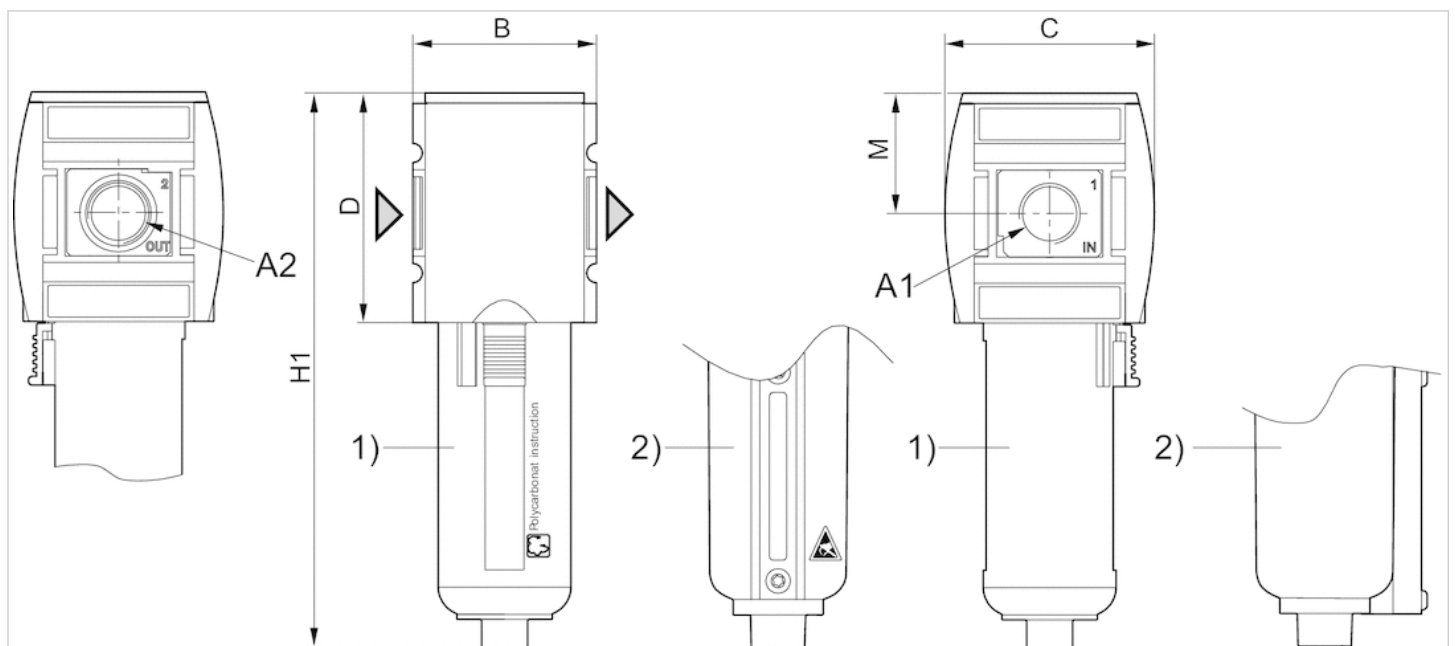
Max. achievable compressed air class acc. to ISO 8573-1:2010 - - : 1

Technical information

Material	
Housing	Polyamide
Front plate	Acrylonitrile butadiene styrene
Seals	Acrylonitrile butadiene rubber
Threaded bushing	Die cast zinc
Reservoir	Polycarbonate Die cast zinc
Protective guard	Polyamide
Filter insert	Active carbon

Dimensions

Dimensions



A1 = input A2 = output

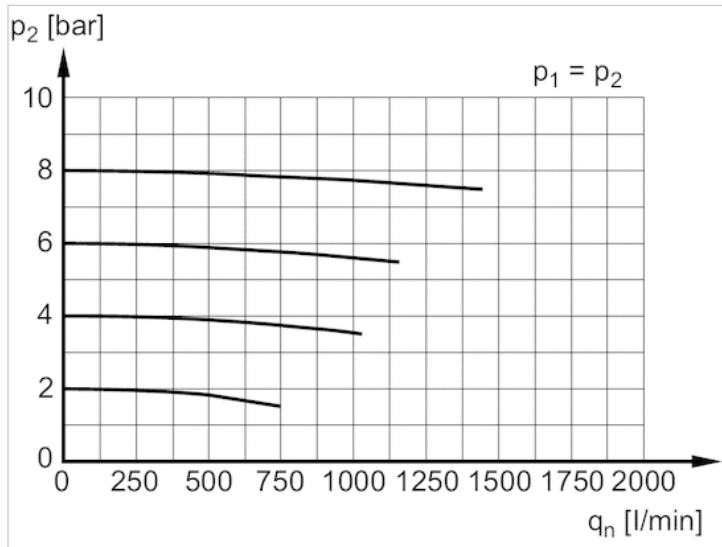
- 1) Plastic reservoir and protective guard with window
- 2) Metal reservoir with inspection glass

Dimensions in mm

A1	A2	B	C	D	H1	M
G 1/4	G 1/4	52	59	65	157	34
G 3/8	G 3/8	52	59	65	157	34

Diagrams

Flow rate characteristic



p_1 = Working pressure p_2 = Secondary pressure q_n = Nominal flow