

Filling unit, pneumatically operated, Series AS2-SSU

- adjustable filling time
- Compressed air connection G 1/4
- Pipe connection
- suitable for ATEX



Version

Pilot

Sealing principle

Certificates

Working pressure min./max.

Control pressure min./max.

Ambient temperature min./max.

Medium temperature min./max.

Medium

Max. particle size

Weight

Poppet valve, Can be assembled into blocks

internal

Soft sealing

suitable for ATEX

0 ... 16 bar

2,5 ... 16 bar

-10 ... 50 °C

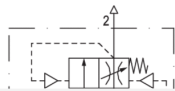
-10 ... 50 °C

Compressed air Neutral gases

40 µm

0,424 kg

The delivered product varies from that in the illustration. See the drawing for an exact description.



Technical data

Part No.	Port	Pilot connection	Exhaust	Flow	Flow	Flow	
				Qn	Qn 1→2	Qn 2→3	
R412006281	G 3/8	G 1/8	G 1/4	2000 l/min	2000 l/min	380 l/min	1)
R412006276	G 1/4	G 1/8	G 1/4	2000 l/min	2000 l/min	380 l/min	1)
R412006289	G 1/4	G 1/4	G 1/4	2000 l/min	2000 l/min	380 l/min	2)

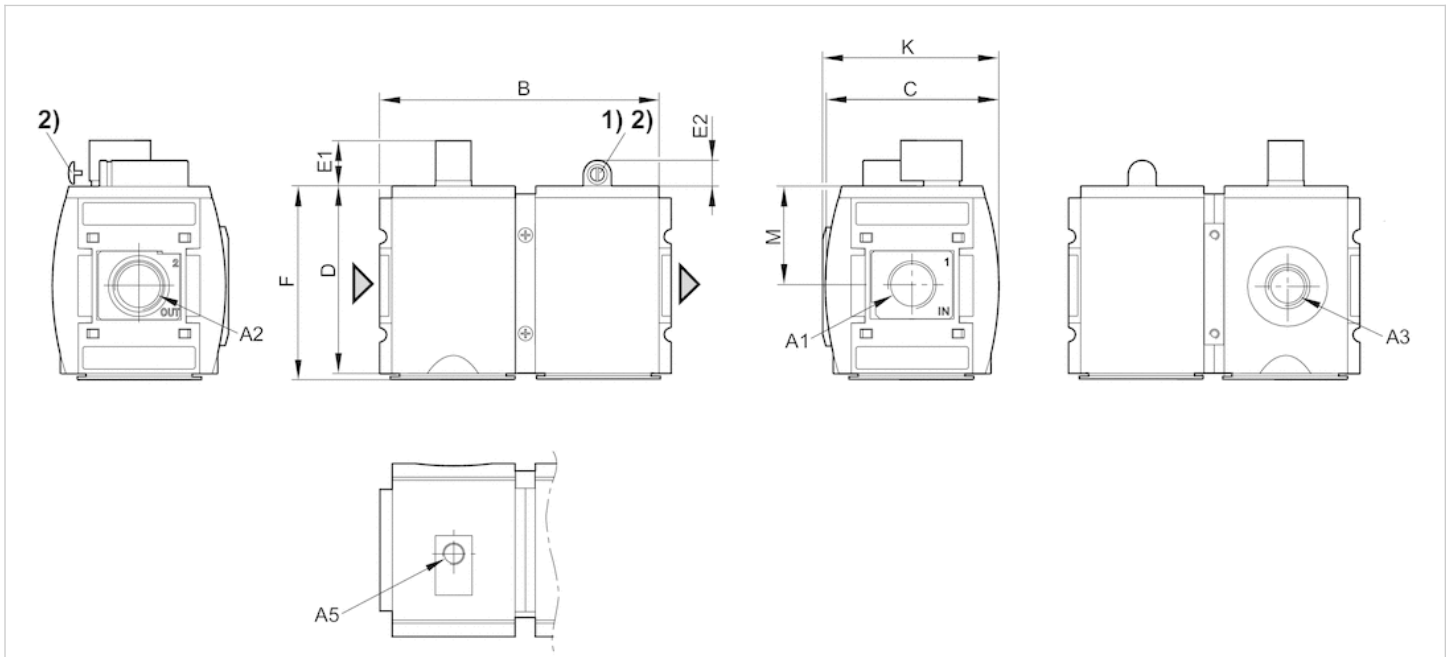
Technical information

2) With adjustment screw lock. Suitable for use in Ex zones 1, 2, 21, 22

Material	
Housing	Polyamide
Front plate	Acrylonitrile butadiene styrene
Seals	Acrylonitrile butadiene rubber
Threaded bushing	Die cast zinc

Dimensions

Dimensions



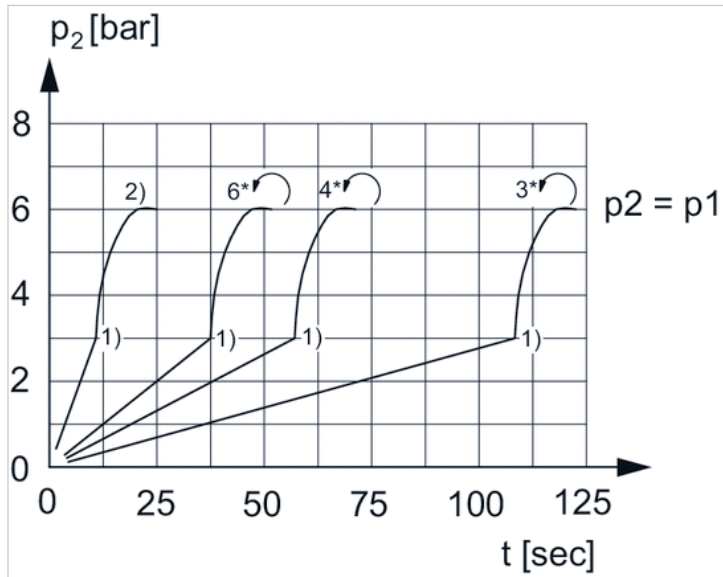
- A1 = input
- A2 = output
- A3 = ventilation port
- A5 = control pressure connection
- 1) Adjustment screw for filling time
- 2) Adjustment screw lock

Dimensions in mm

A1	A2	A3	A5	B	C	D	E1	E2	F	K	M
G 3/8	G 3/8	G 1/4	G 1/8	104	59	65	17	11	67	60.9	34
G 1/4	G 1/4	G 1/4	G 1/8	104	59	65	17	11	67	60.9	34
G 1/4	G 1/4	G 1/4	G 1/8	104	59	65	17	11	67	60.9	34

Diagrams

Secondary pressure while filling



p1 = working pressure

p2 = secondary pressure

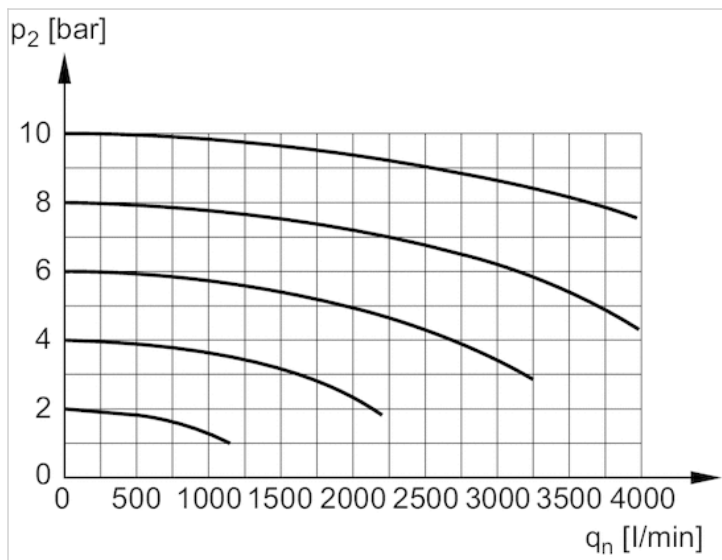
t = filling time, adjustable via adjustment screw (throttle)

1) Switching point: adjustable filling time, fixed change-over pressure $\approx 0.5 \times p1$ (50%)

2) Throttle fully opened

* Adjustment screw rotations

Flow rate characteristic



p2 = secondary pressure
qn = nominal flow