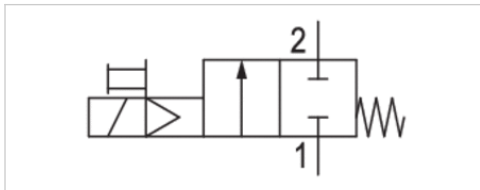


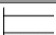
2/2-directional valve, electrically operated, Series AS2-SOV

- Compressed air connection G 3/8
- Pipe connection
- NC
- Electrical connection: Plug, ISO 15217, form C



Version	Poppet valve, Can be assembled into blocks
Parts	2/2-directional valve, electrically operated
Nominal flow	2000 l/min
Working pressure min./max.	2,5 ... 10 bar
Medium	Compressed air Neutral gases
Medium temperature min./max.	-10 ... 50 °C
Ambient temperature min./max.	-10 ... 50 °C
Sealing principle	Soft sealing
Max. particle size	25 µm
Protection class acc. to DIN EN 61140 with plug	IP65
Duty cycle	100 %
Weight	0,291 kg

Technical data

Part No.		Compressed air connection input	Compressed air connection output	Operationalvoltage
				DC
R412006294		G 3/8	G 3/8	24 V

Part No.	Power consumption	Electrical connection	basic valve with electrical connector
	DC	Pilot valve	
R412006294	2 W	Plug, ISO 15217, form C	Basic valve with pilot valve

Part No.	Reverse polarity protection
R412006294	Protected against polarity reversal

Nominal flow Q_n with secondary pressure $p_2 = 6$ bar at $\Delta p = 1$ bar

Technical information

The pressure dew point must be at least 15 °C under ambient and medium temperature and may not exceed 3 °C .
A change in the flow direction (from air supply on the left to air supply on the right) occurs by rotating installation by 180° about the vertical axis. Please see the operating instructions for further details.

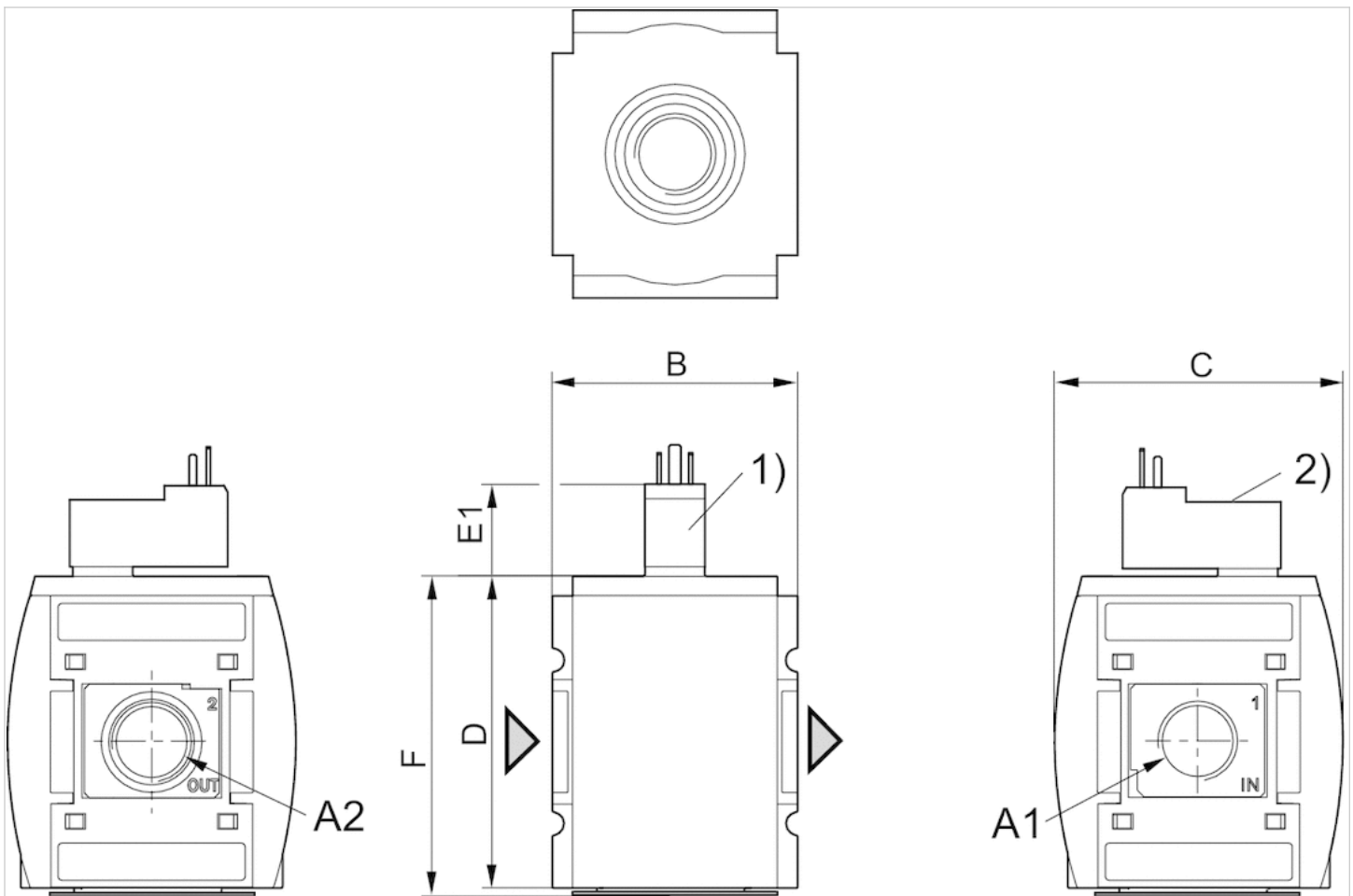
Technical information

Material

Housing	Polyamide
Front plate	Acrylonitrile butadiene styrene
Seals	Acrylonitrile butadiene rubber
Threaded bushing	Die cast zinc

Dimensions

Dimensions



A1 = input
A2 = output

1) Connection for valve plug connector according to ISO 15217 (form C)

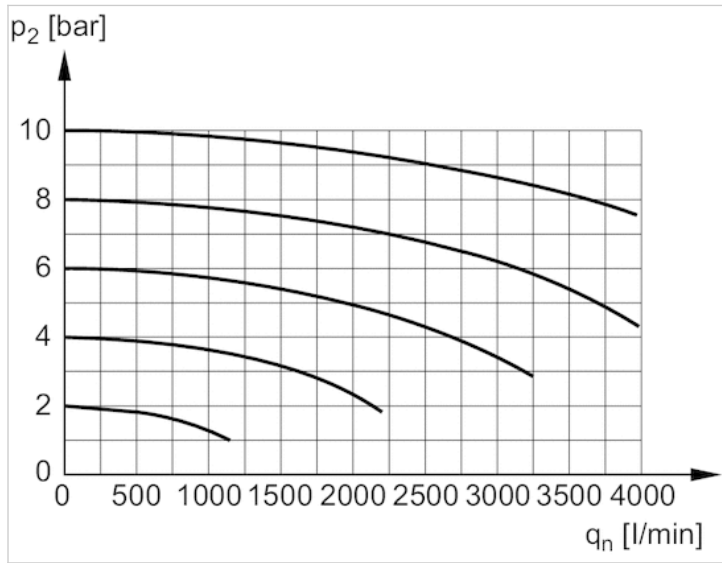
2) Manual override

Dimensions in mm

A1	A2	B	C	D	E1	F
G 3/8	G 3/8	52	59	65	22	67

Diagrams

Flow rate characteristic



p_2 = secondary pressure
 q_n = nominal flow