

Pressure regulator, Series AS3-RGS-...-E11

- G 1/2
- Qn = 5200 l/min
- Standard pressure regulator
- Activation Mechanical
- lockable
- with E11 locking



Parts	Pressure regulator
Mounting orientation	Any
Working pressure min./max.	0,5 ... 16 bar
Ambient temperature min./max.	-10 ... 50 °C
Medium temperature min./max.	-10 ... 50 °C
Medium	Compressed air Neutral gases
Regulator type	Diaphragm-type pressure regulator Can be assembled into blocks with relieving air exhaust
Regulator function	
Adjustment range min./max.	0,5 ... 10 bar
Lock type	with E11 locking
Pressure supply	single
Activation	Mechanical
Weight	0,528 kg

Technical data

Part No.	Port	Flow
		Qn
R412007099	G 1/2	5200 l/min

Technical information

The pressure dew point must be at least 15 °C under ambient and medium temperature and may not exceed 3 °C .

The E11 locking is delivered without a key (see accessories for keys).

The rear pressure gauge connection on the pressure regulator is closed with a blanking plug, the front connection is open. Depending on the customer application, a second blanking plug may be necessary. Please order separately (see accessories).

A change in the flow direction (from air supply on the left to air supply on the right) occurs by rotating installation by 180° about the vertical axis. Please see the operating instructions for further details.

Relieving exhaust (≤ 0.3 bar over set pressure)

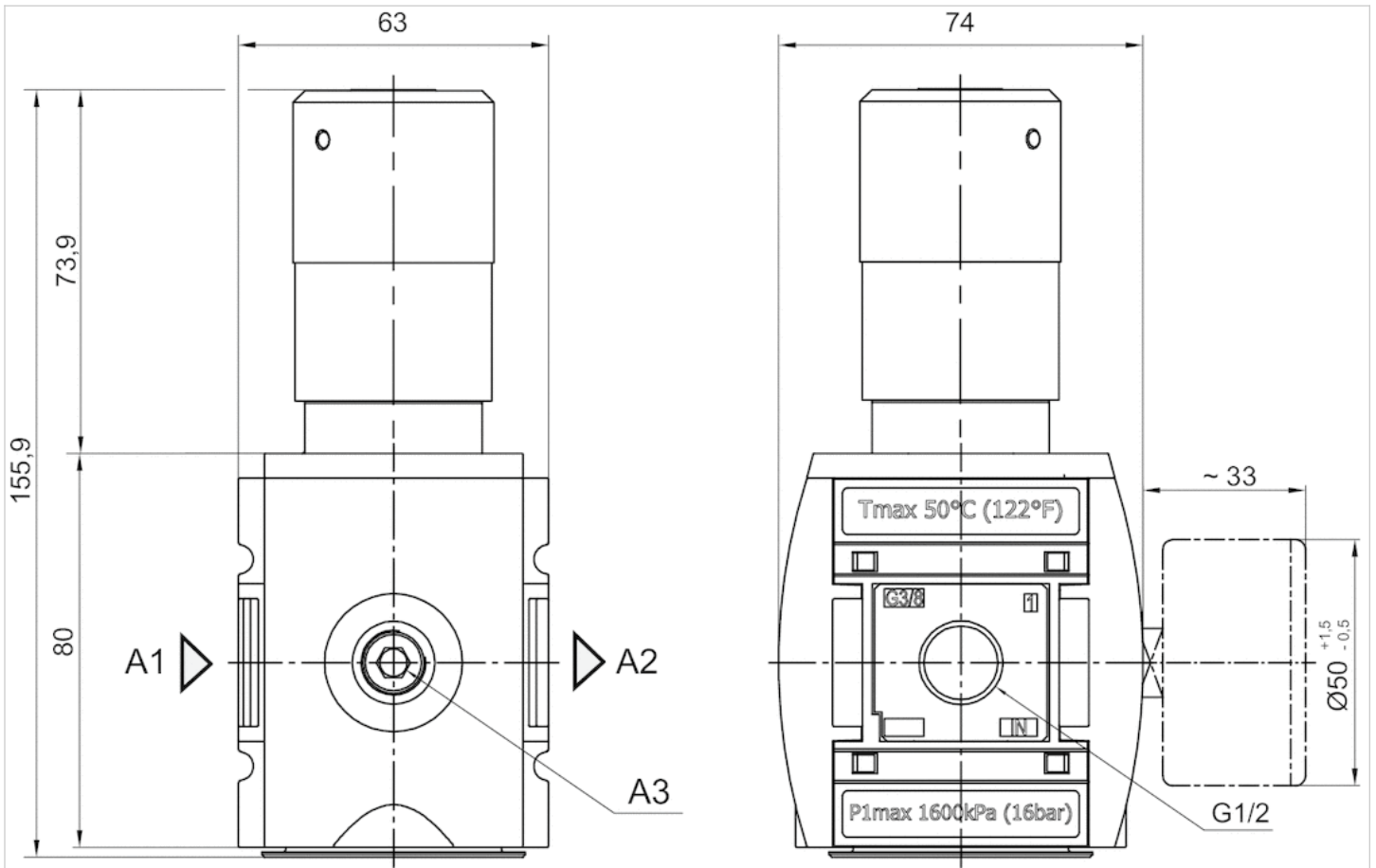
With rear exhaust (> 3 bar)

Technical information

Material	
Housing	Polyamide
Front plate	Acrylonitrile butadiene styrene
Seals	Acrylonitrile butadiene rubber
Threaded bushing	Die cast zinc

Dimensions

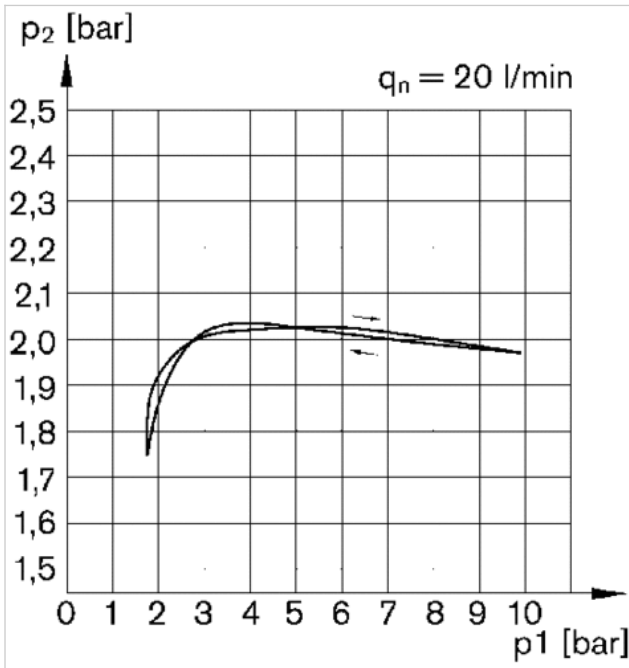
Dimensions



A1 = input A2 = output A3 = pressure gauge connection

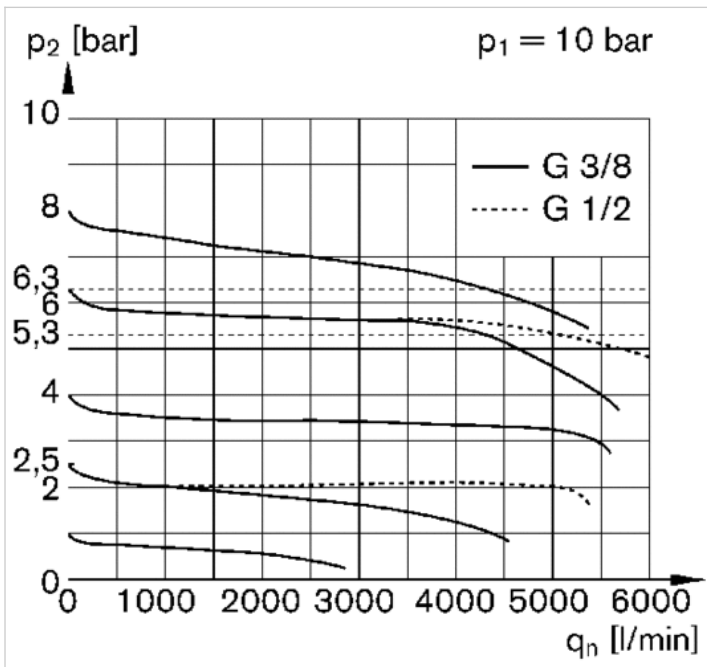
Diagrams

Pressure characteristics curve Standard version



p_1 = Working pressure p_2 = Secondary pressure q_n = Nominal flow

Flow rate characteristic (p_2 : 0.5 - 8 bar)



p_1 = Working pressure p_2 = Secondary pressure q_n = Nominal flow