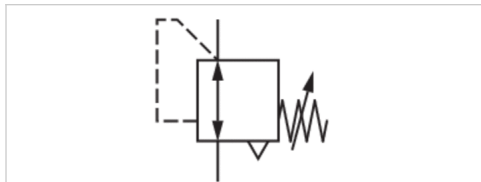


Precision pressure regulator, Series AS3-RGP-...-DS

- G 3/8
- Qn = 1600 l/min
- Precision pressure regulator
- Activation Mechanical
- with continuous pressure supply
- lockable
- for padlocks
- suitable for ATEX



Parts

Mounting orientation

Certificates

Working pressure min./max.

Ambient temperature min./max.

Medium temperature min./max.

Medium

Regulator type

Regulator function

Adjustment range min./max.

Lock type

Pressure supply

Activation

Internal air consumption q max.

Weight

Precision pressure regulator with continuous pressure supply

Any

suitable for ATEX

See table

-10 ... 50 °C

-10 ... 50 °C

Compressed air Neutral gases

Diaphragm-type pressure regulator Can be assembled into blocks with relieving air exhaust

See table

for padlocks

double

Mechanical

2,6 l/min

0,528 kg

Technical data

Part No.	Port	Flow	Working pressure min./max.	Adjustment range min./max.
		Qn		
R412007160	G 3/8	1600 l/min	0,1 ... 16 bar	0,1 ... 1 bar
R412007161	G 3/8	4600 l/min	0,1 ... 16 bar	0,1 ... 2 bar
R412007162	G 3/8	5000 l/min	0,2 ... 16 bar	0,2 ... 4 bar
R412007163	G 3/8	4300 l/min	0,5 ... 16 bar	0,5 ... 8 bar
R412007164	G 3/8	4300 l/min	0,5 ... 16 bar	0,5 ... 10 bar
R412007166	G 1/2	1600 l/min	0,1 ... 16 bar	0,1 ... 1 bar
R412007167	G 1/2	4600 l/min	0,1 ... 16 bar	0,1 ... 2 bar
R412007168	G 1/2	5000 l/min	0,2 ... 16 bar	0,2 ... 4 bar
R412007169	G 1/2	5200 l/min	0,5 ... 16 bar	0,5 ... 8 bar
R412007170	G 1/2	5200 l/min	0,5 ... 16 bar	0,5 ... 10 bar

Part No.	Max. pressure gauge Ø in blocked state
R412007160	50 mm
R412007161	50 mm
R412007162	50 mm

Part No.	Max. pressure gauge Ø in blocked state
R412007163	50 mm
R412007164	50 mm
R412007166	50 mm
R412007167	50 mm
R412007168	50 mm
R412007169	50 mm
R412007170	50 mm

Technical information

The pressure dew point must be at least 15 °C under ambient and medium temperature and may not exceed 3 °C .

Recommended pre-filter: 5 µm

The rear pressure gauge connection on the pressure regulator is closed with a blanking plug, the front connection is open. Depending on the customer application, a second blanking plug may be necessary. Please order separately (see accessories).

Suitable for use in Ex zones 1, 2, 21, 22

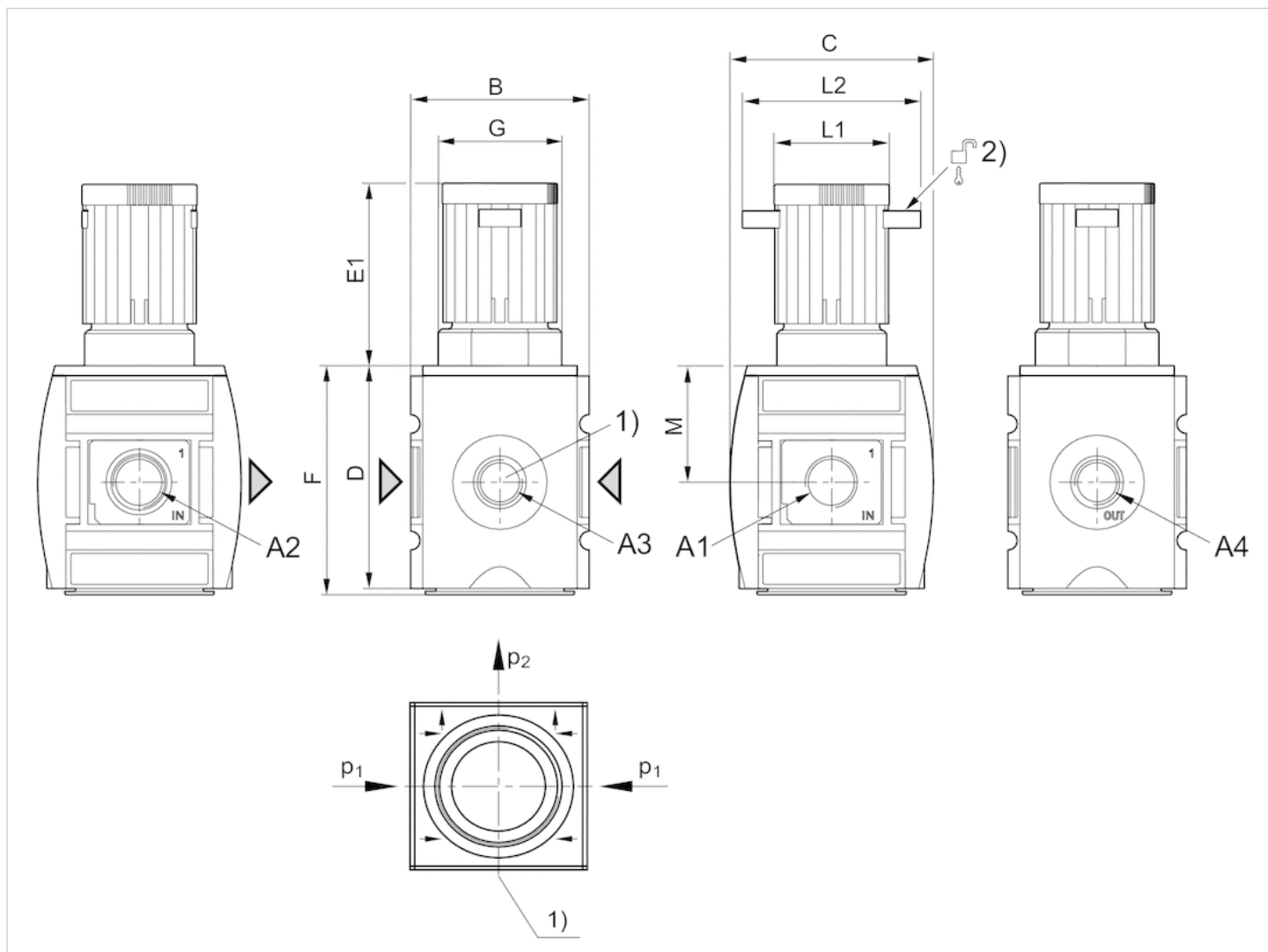
Technical information

Material

Housing	Polyamide
Front plate	Acrylonitrile butadiene styrene
Seals	Acrylonitrile butadiene rubber
Threaded bushing	Die cast zinc

Dimensions

Dimensions



A1 = input A2 = output A3 = pressure gauge connection

A4 = output

1) Pressure gauge connection

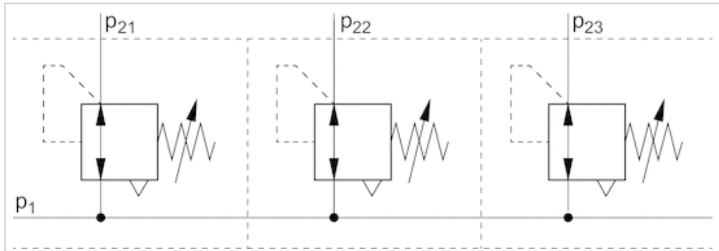
2) Mounting option for padlocks; max. shackle Ø 8

Dimensions in mm

G 1/2	G 1/4	G 3/8	63	74	80	63.5	82	M42x1,5	41	60	42.5	R412007168
G 3/8	G 3/8	G 1/4	G 3/8	63	74	80	63.5	82	M42x1,5	41	60	42.5
G 3/8	G 3/8	G 1/4	G 3/8	63	74	80	63.5	82	M42x1,5	41	60	42.5
G 1/2	G 1/2	G 1/4	G 3/8	63	74	80	63.5	82	M42x1,5	41	60	42.5

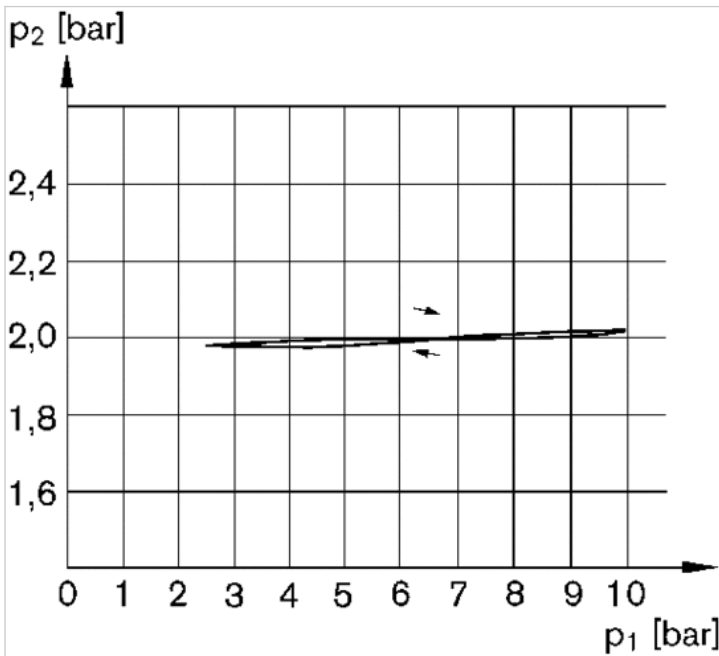
Diagrams

Application example



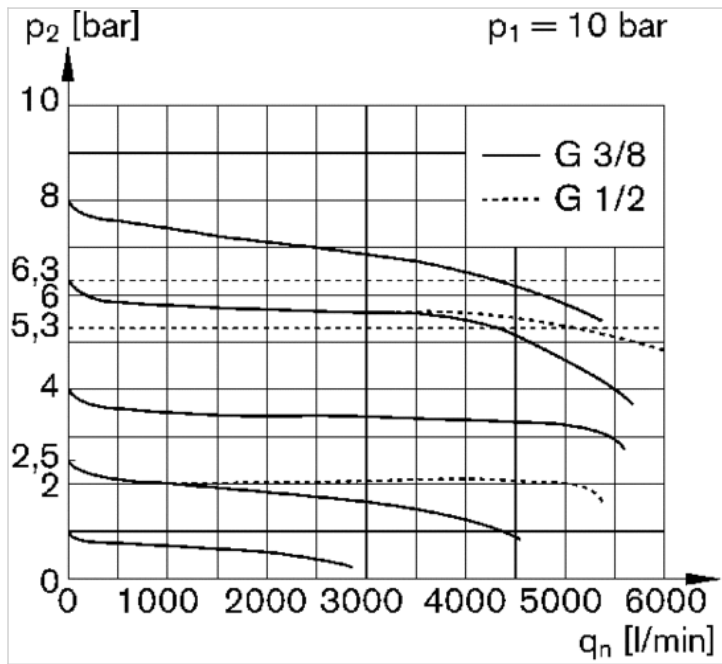
p_1 = working pressure
 p_{21} ; p_{22} ; p_{23} = secondary pressure

Pressure characteristics curve



p_1 = working pressure
 p_2 = secondary pressure

Flow rate characteristic (p2: 05 - 8 bar)



p_1 = Working pressure p_2 = Secondary pressure q_n = Nominal flow