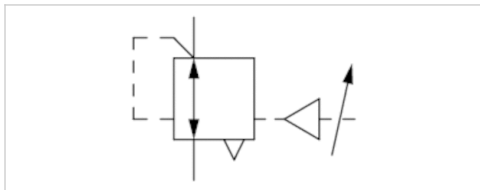


Pressure regulator, Series AS3-RGS

- G 3/8 G 1/2
- Qn = 6500 l/min
- Standard pressure regulator
- Activation Pneumatically



Parts	Pressure regulator
Mounting orientation	Any
Working pressure min./max.	0 ... 16 bar
Ambient temperature min./max.	0 ... 50 °C
Medium temperature min./max.	0 ... 50 °C
Medium	Compressed air Neutral gases
Regulator type	Diaphragm-type pressure regulator Can be assembled into blocks with relieving air exhaust
Regulator function	
Adjustment range min./max.	0,5 ... 16 bar
Pressure supply	single
Activation	Pneumatically
Weight	0,579 kg

Technical data

Part No.	Port	Flow
		Qn
R412007094	G 3/8	6500 l/min
R412007095	G 1/2	6500 l/min

Control pressure: see diagram, Nominal flow Qn with secondary pressure p2 = 6 bar at $\Delta p = 1$ bar

Order pressure gauge separately

Technical information

The pressure dew point must be at least 15 °C under ambient and medium temperature and may not exceed 3 °C .
The rear pressure gauge connection on the pressure regulator is closed with a blanking plug, the front connection is open. Depending on the customer application, a second blanking plug may be necessary. Please order separately (see accessories).
A change in the flow direction (from air supply on the left to air supply on the right) occurs by rotating installation by 180° about the vertical axis. Please see the operating instructions for further details.

Relieving exhaust (≤ 0.3 bar over set pressure)

With rear exhaust (> 3 bar)

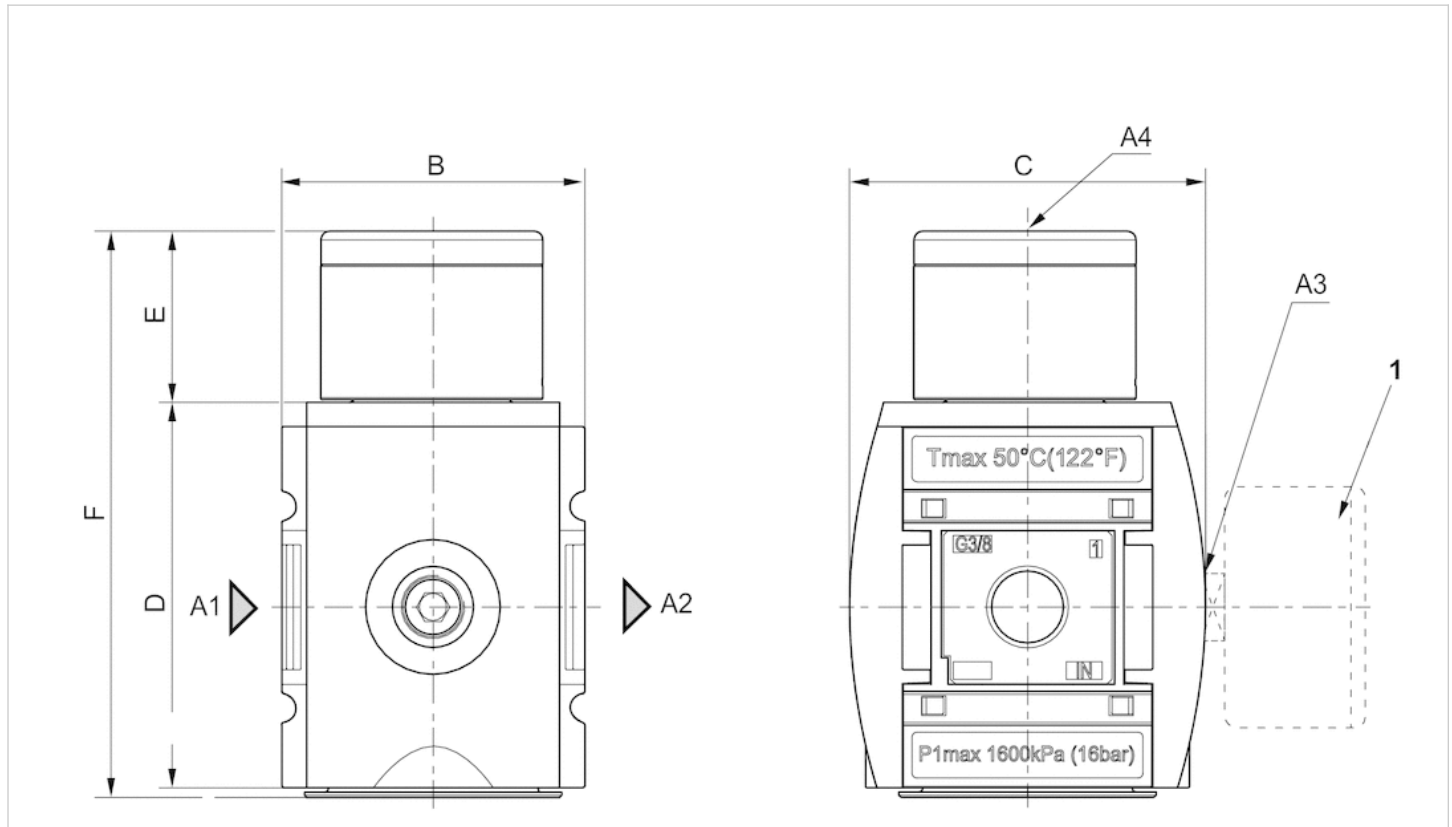
Technical information

Material	
Housing	Polyamide
Front plate	Acrylonitrile butadiene styrene

Material	
Seals	Acrylonitrile butadiene rubber
Threaded bushing	Die cast zinc

Dimensions

Dimensions



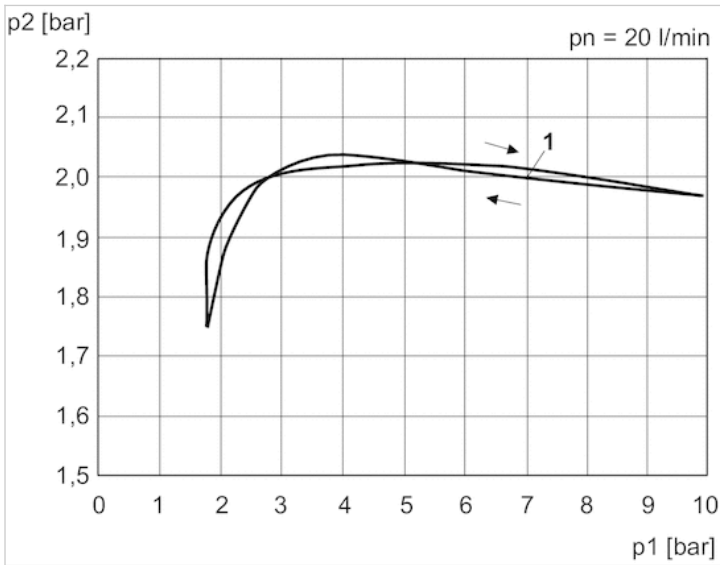
- A1 = input A2 = output
- A3 = pressure gauge connection
- A4 = control pressure connection
- 1) Order pressure gauge separately

Dimensions in mm

A1	A2	A3	A4	B	C	D	E	F
G 3/8	G 3/8	G 1/4	G 1/8	63	74	80	39.25	121
G 1/2	G 1/2	G 1/4	G 1/8	63	74	80	39.25	121

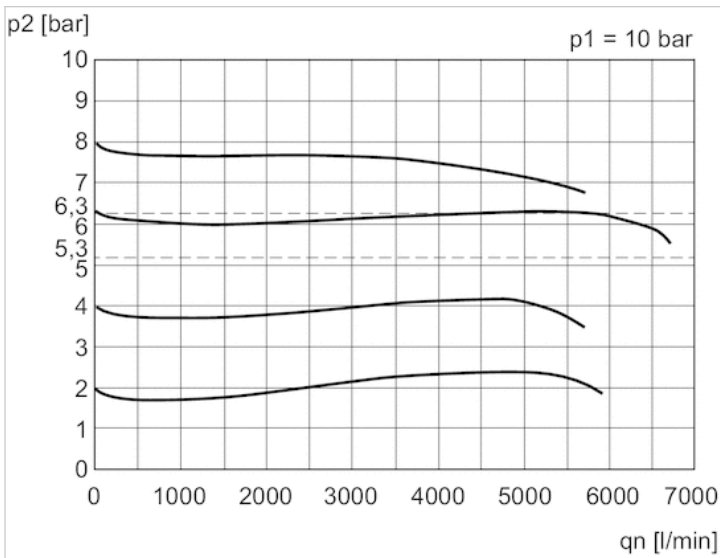
Diagrams

Pressure characteristics curve



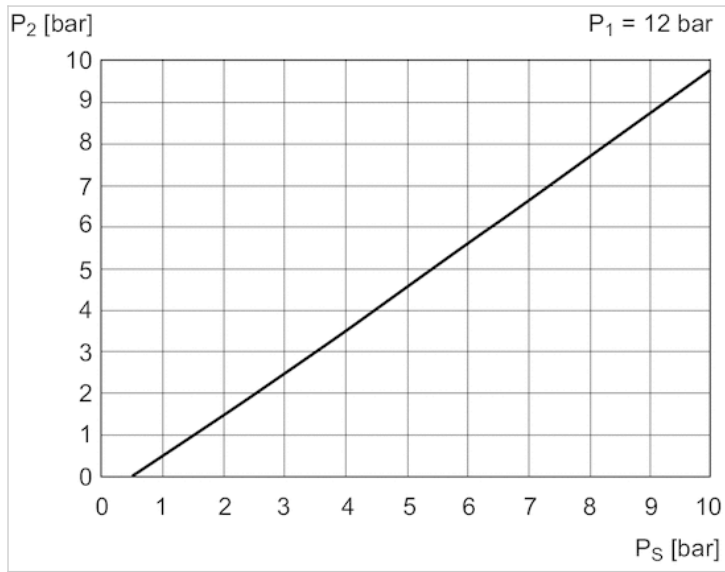
p1 = Working pressure
p2 = Secondary pressure
qn = Nominal flow
1) = Starting point

Flow rate characteristic (p2: 0.5 - 8 bar)



p1 = Working pressure
p2 = Secondary pressure
qn = Nominal flow

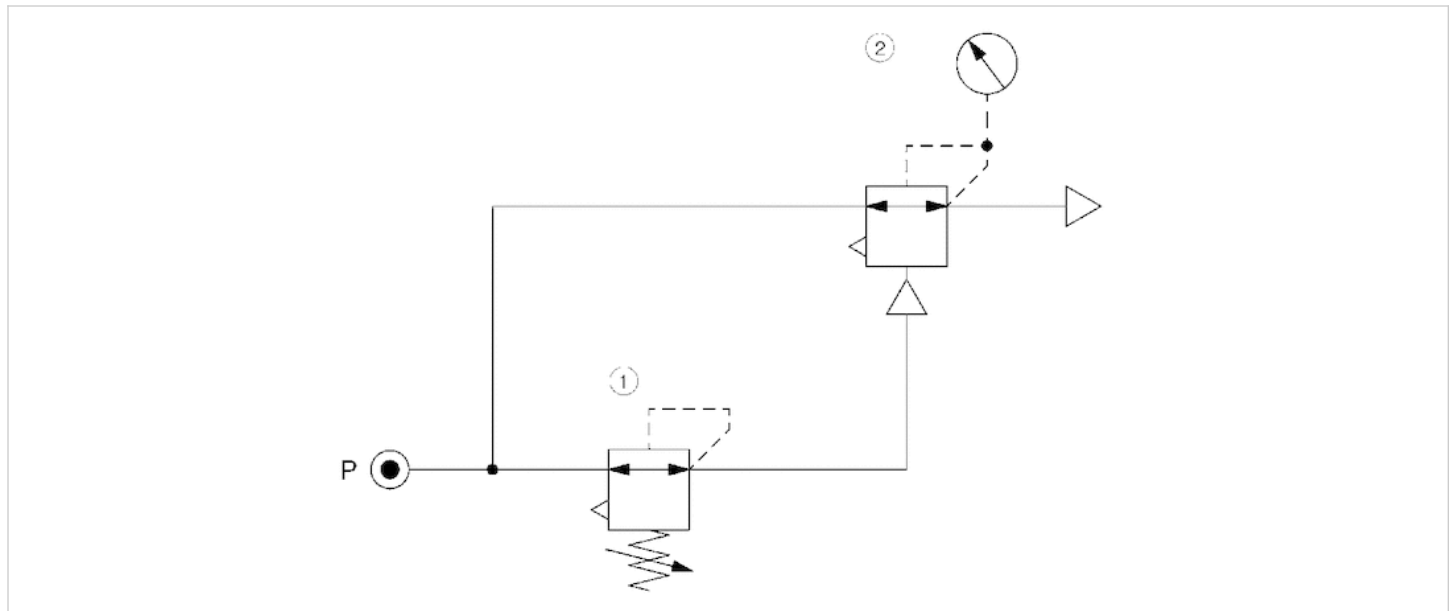
control pressure characteristic



p_1 = working pressure
 p_2 = secondary pressure
 PS = control pressure

Circuit diagram

Application example



1) precision pressure regulator 2) pressure regulator valve, pneumatically operated